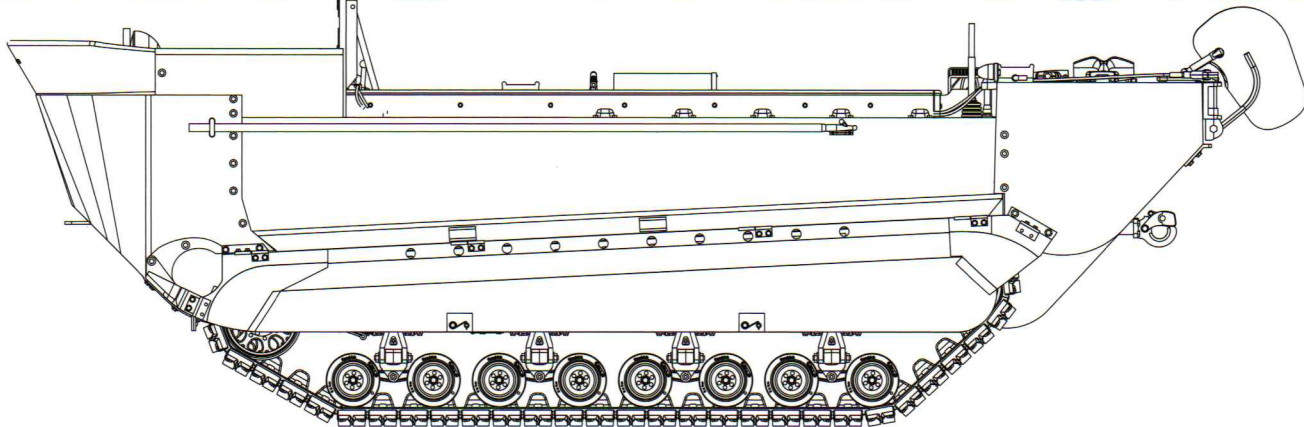


M29C WEASEL



In 1942, a somewhat eccentric British-born inventor by the name of Geoffrey Pyke was working on a design for a vehicle intended for use by troops operating in deep snow conditions, such as those encountered in Norway, which was under German occupation at that time. The automotive system involved using two large helix screws operating in counter-rotating directions to propel the box-shaped vehicle over the snow. It was a complex design and, although a prototype vehicle was prepared for trials, the idea did not progress any further.

The concept of Pyke's vehicle came to the attention of the design team of the Studebaker Corporation, based in South Bend, Indiana. The trials involving Pyke's strange vehicle had proved the vehicle capable of travelling over snow, but its unconventional method of propulsion was complicated and impractical for use in battle conditions. It was decided to pursue the idea, but as a conventional tracked vehicle. Studebaker was awarded the contract to develop the idea further to produce a vehicle for the military, despite the fact the company had no experience in tracked vehicle production.

The result was the M28 Cargo Carrier, which was fitted with 15 inch wide French-designed "Kegresse-type" caterpillar tracks manufactured from rubber to which were attached metal plates, producing a ground pressure of 2.1 psi. Low ground pressure made the M28 an ideal all-terrain vehicle capable of operating over snow, swamp, and sand. The engine was mounted in the rear and the front wheel served as the drive sprocket for the tracks. The vehicle was fitted with two sets of double-wheeled bogies and two return rollers to support the tracks. More than 1,000 M28 Weasels were produced before changing the design and introducing a range of modifications that completely changed the vehicle's appearance and greatly improved its overall performance.

These design changes were implemented in 1943 and created the M29 Weasel. It remained an open-topped, unarmored design and still operated in its intended primary role as a light cargo carrier, but would go on to be developed into three versions. The changes produced a completely different design, changing the roadwheel layout to four sets of double bogies. The width of the tracks was extended to 20 inches, which lowered the ground weight to less than 2 psi. The drive sprocket was transferred to the rear and the engine moved to the front, offset to the right with the driver's position on the left. This improved handling and made it easier to negotiate riverbanks. The space created in the rear allowed three seats to be installed for passengers or radio equipment to be fitted.

The M29C was an amphibious version of the M29 "Weasel" which was fitted with removable floatation tanks at the front and rear of the hull. The original M29 had enjoyed limited buoyancy capability, which allowed it to be used on inland waterways, with propulsion provided by the tracks. The M29C was fitted with two steerable rudders to improve maneuverability, but it was still unsuitable for use in deep water.

The compact size and light weight of the M29 allowed it to be airlifted by gliders and fixed-wing aircraft, which made them suitable for deployment to Indo-China. The M29 was also used during the Korean War, but a planned post-war order for a further 10,000 vehicles was cancelled.

03.02.2168

READ BEFORE ASSEMBLY

CAUTION

- Read carefully and fully understand the instructions before commencing assembly. A supervising adult should also read the instructions if a child assembles the model.
- When assembling this kit, tools including knives used. Extra care should be taken to avoid personal injury.
- Keep out of reach of small children. Children must not be allowed to suck any part, or pull vinyl bag over their heads.



Be Careful



Optional



Instant Glue for Metal

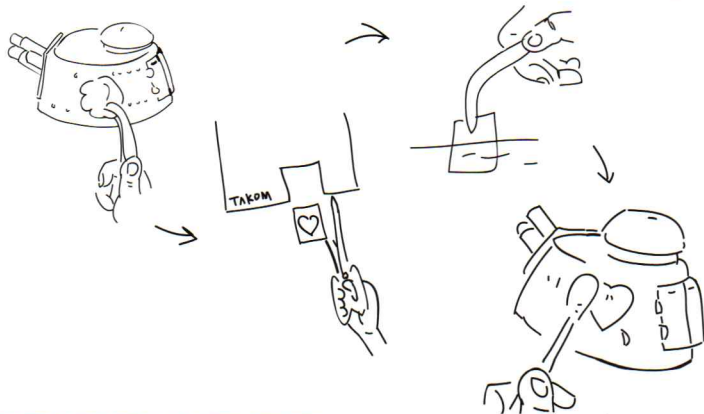
PAINTS REQUIRED

Color info and profiles by Mig Jimenez

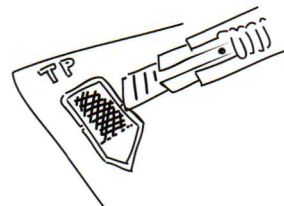
A.MIG-0033 Rubber & Tires	A.MIG-0035 Dark Tracks	A.MIG-0036 Old Wood	A.MIG-0045 Gun Metal
A.MIG-0094 Crystal Glass	A.MIG-0099 Crystal Black Blue	A.MIG-0195 Sylver	A.MIG-0926 Olive Drab Base
A.MIG-0037 New Wood	A.MIG-0038 Light Wood	A.MIG-0046 Matt Black	A.MIG-0138 Desert Yellow
A.MIG-0139 Red Earth	A.MIG-0915 Dark Green (BS 241)	A.MIG-0096 Crystal Periscope Green	

APPLYING DECALS

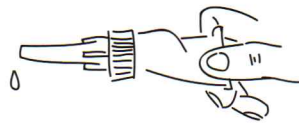
1. Clean the model surface with a wet cloth.
2. Cut out each decal design from sheet, and dip it in tepid water for 15~20 sec.
3. Hold the backing sheet edge and slide decal onto the model.
4. Move decal into position by wetting decal with finger.
5. Press decal gently down with a soft cloth until excess water and air bubbles are gone.



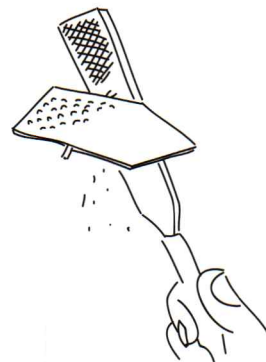
REMOVING PE



Be careful not to hurt when removing PE parts.

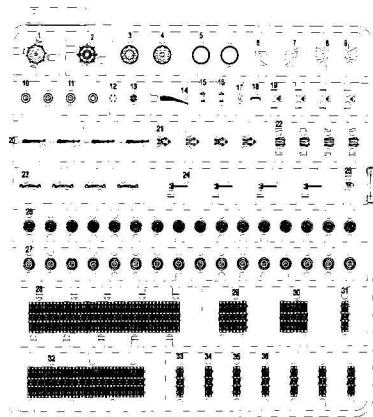


Secure using instant glue (not included).

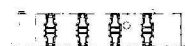
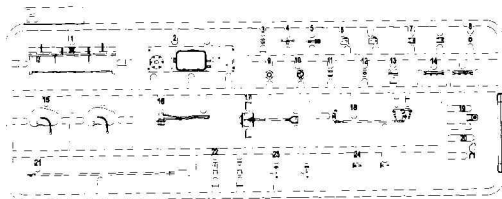
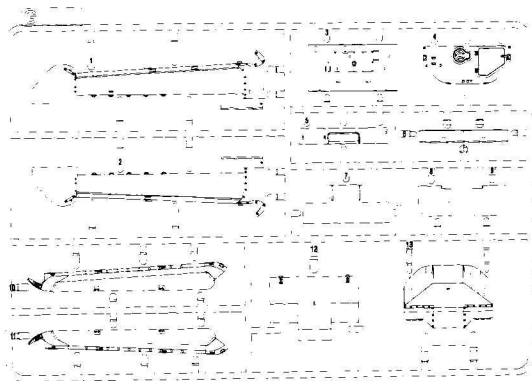
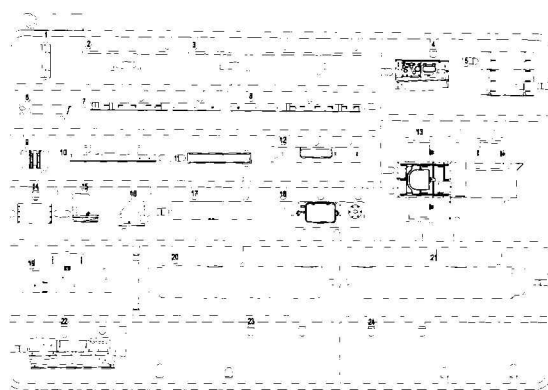
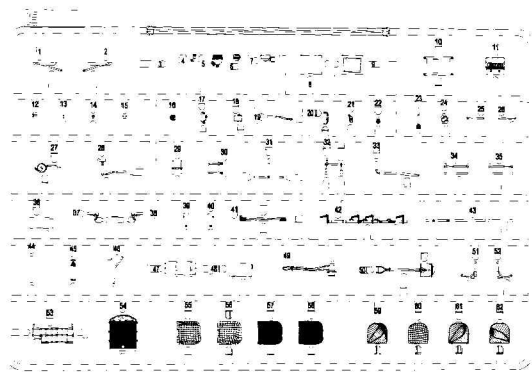


Finish using file.

PARTS



X2



B



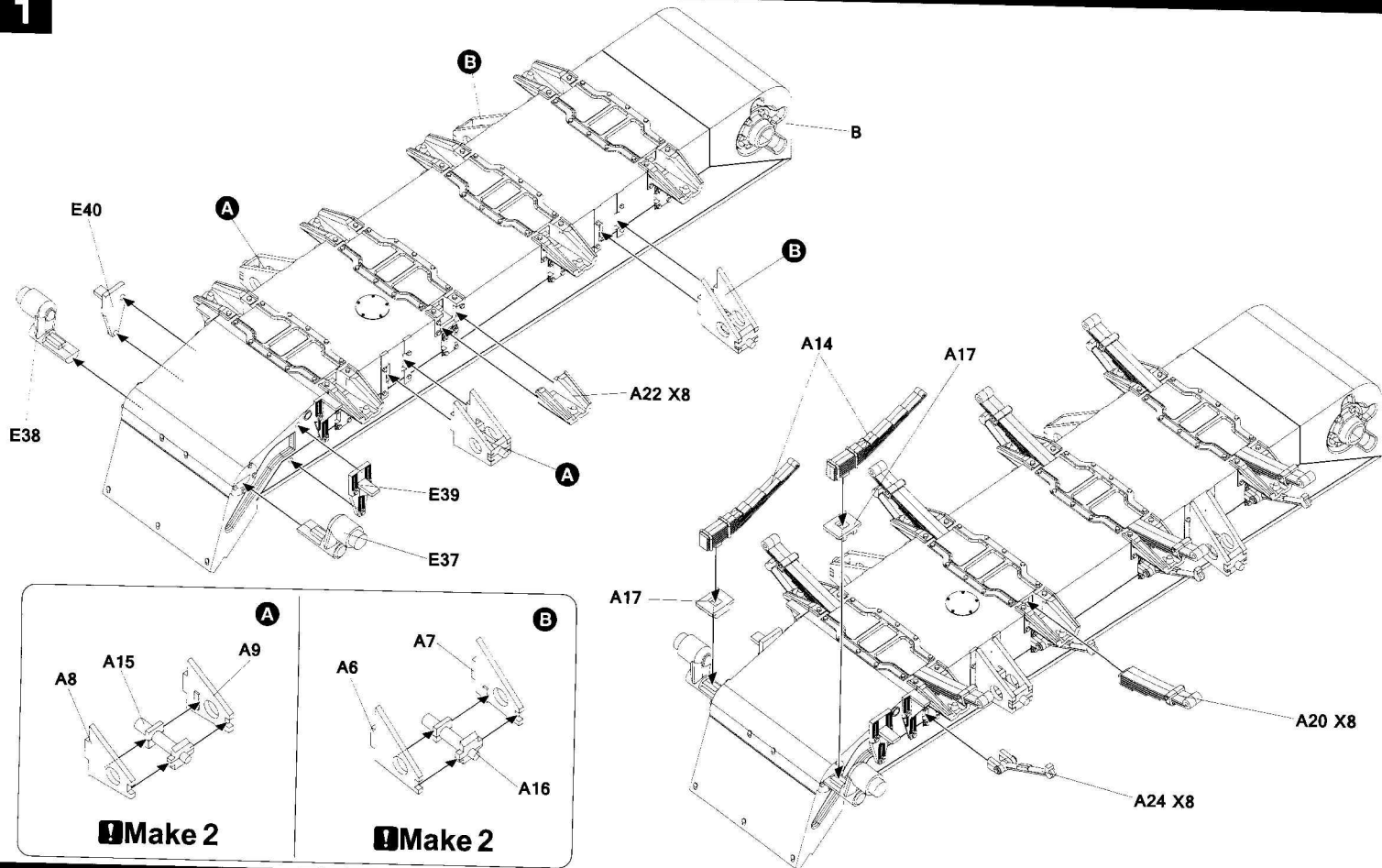
Line



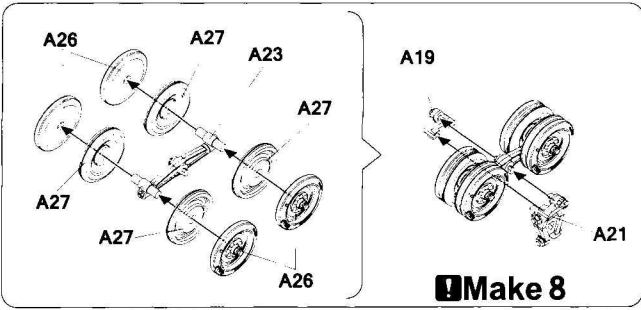
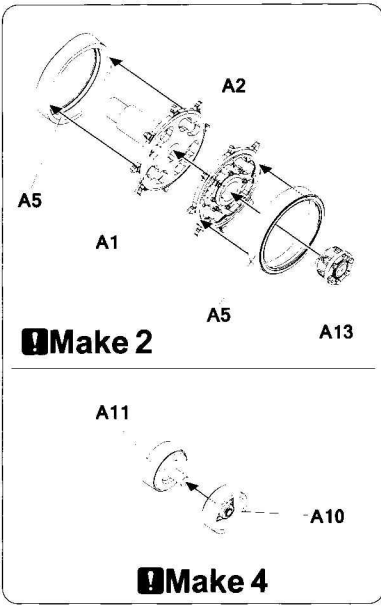
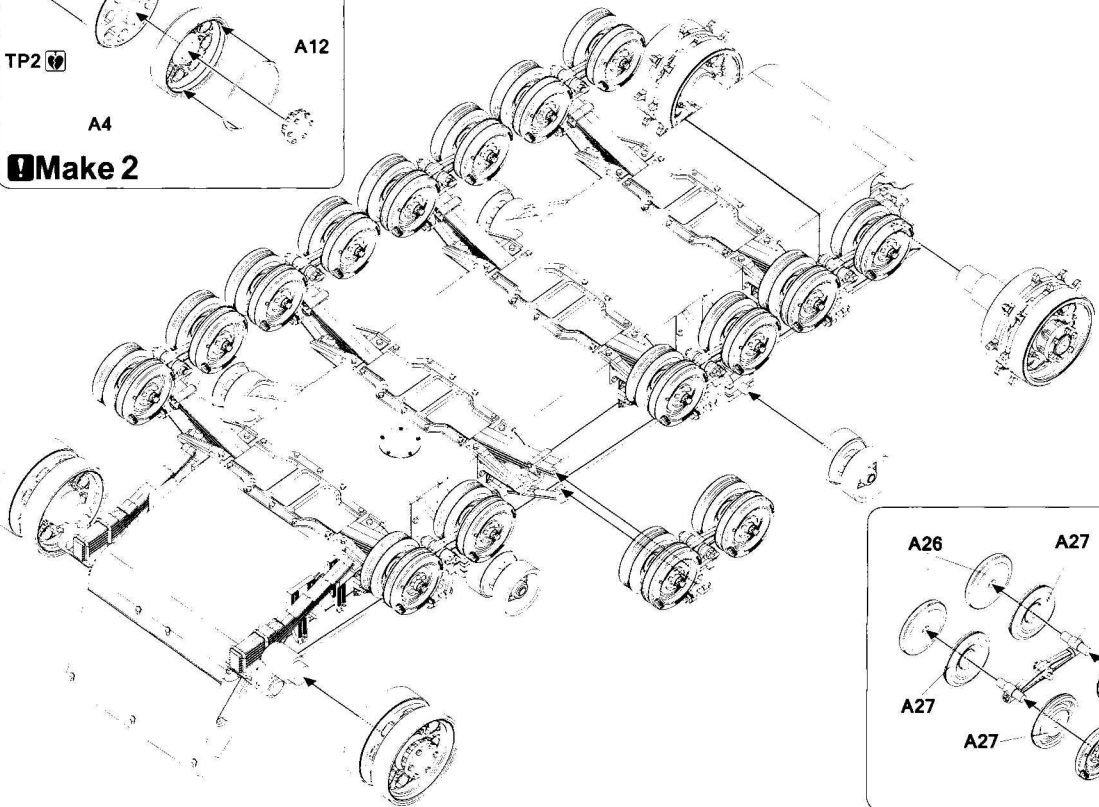
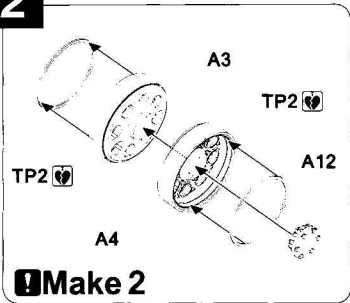
Decal



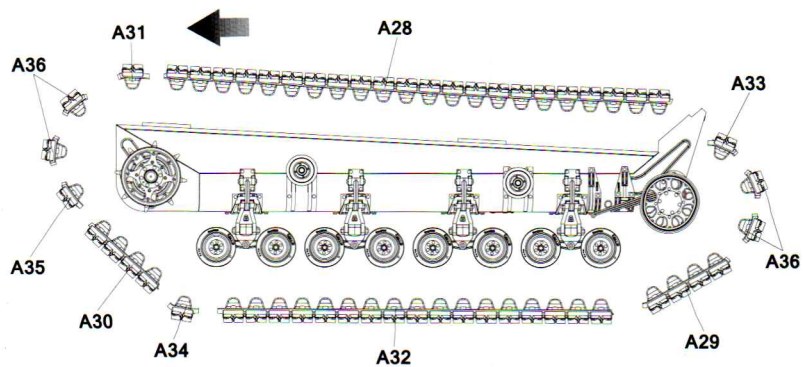
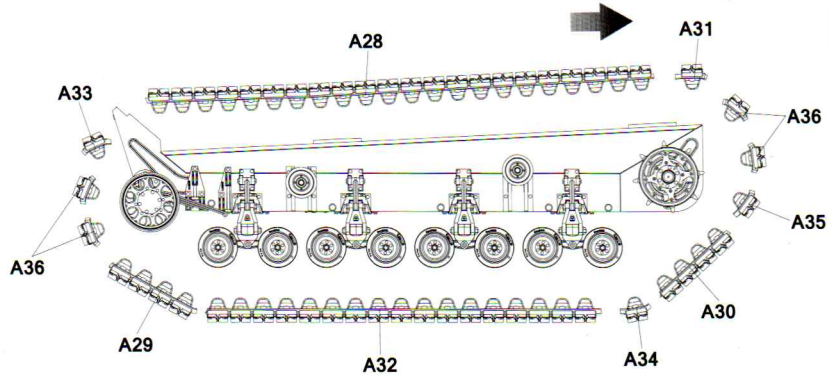
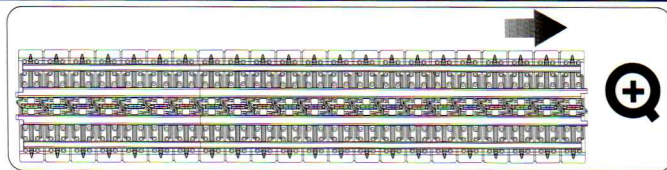
TP

1**3**

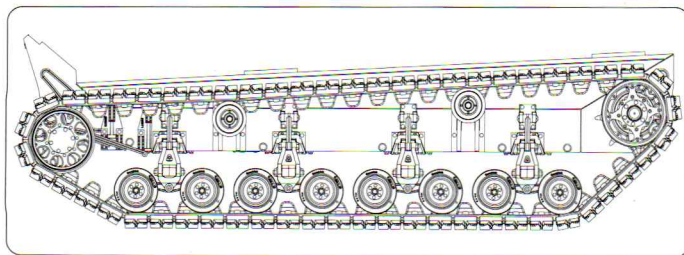
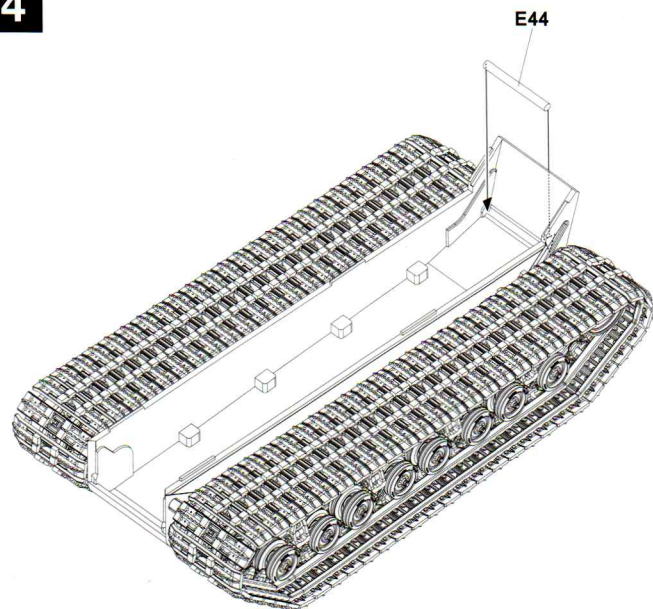
2



3

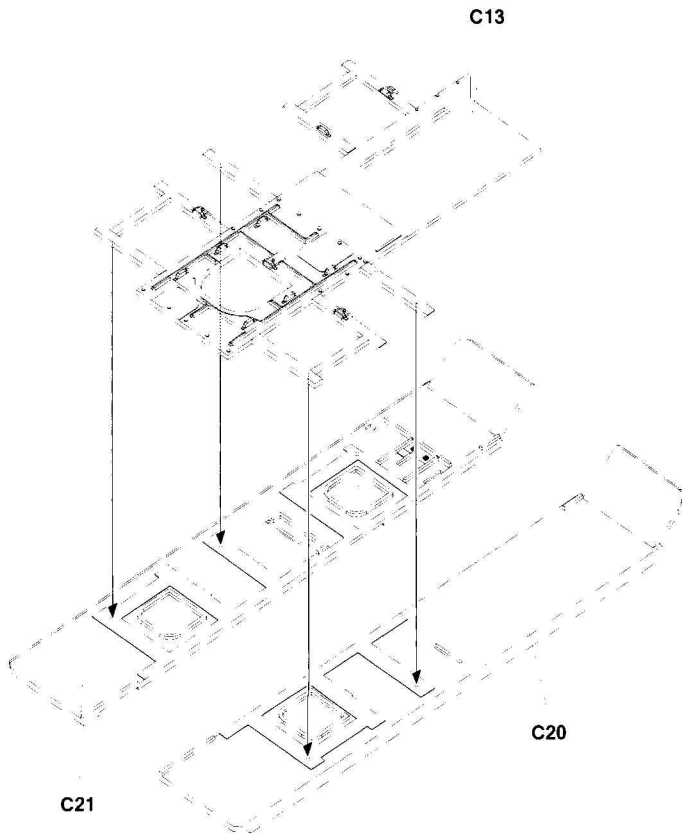


4

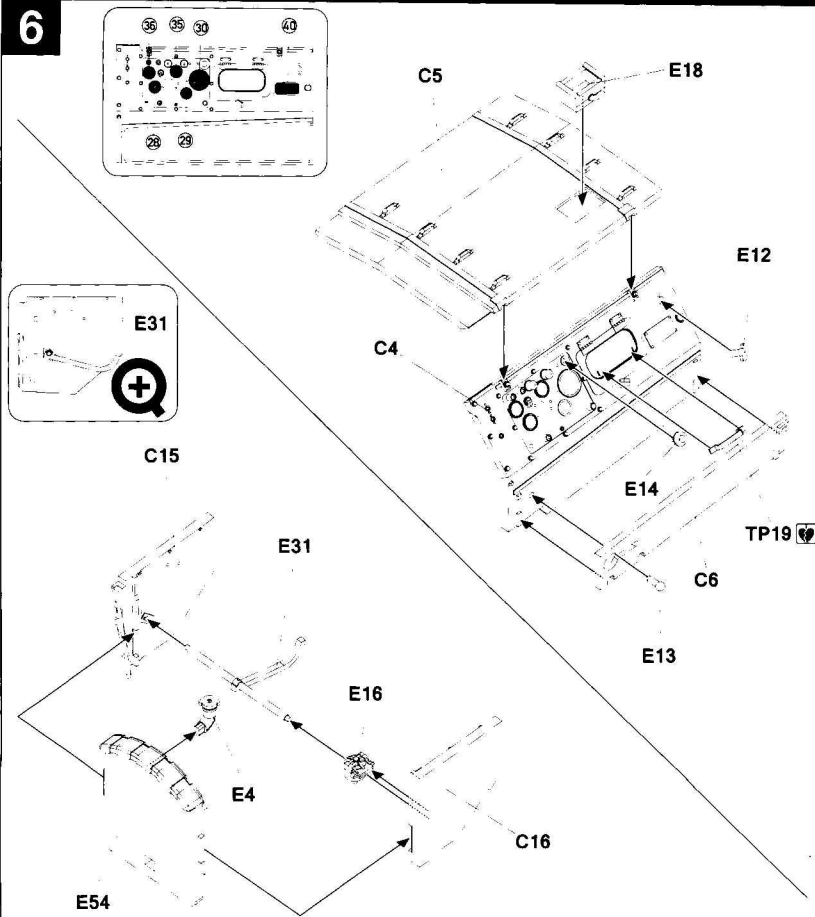


5

5

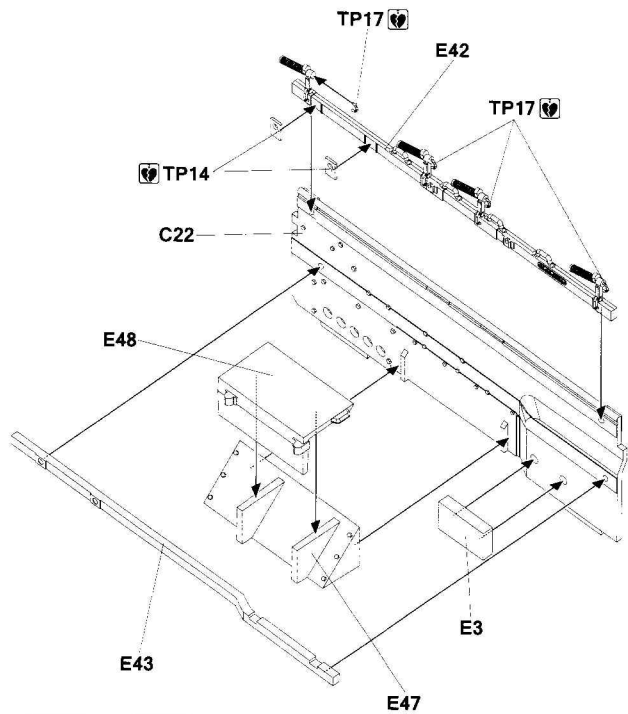
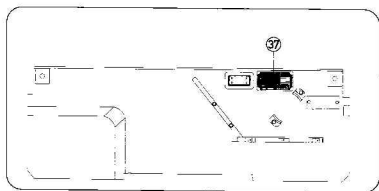


6

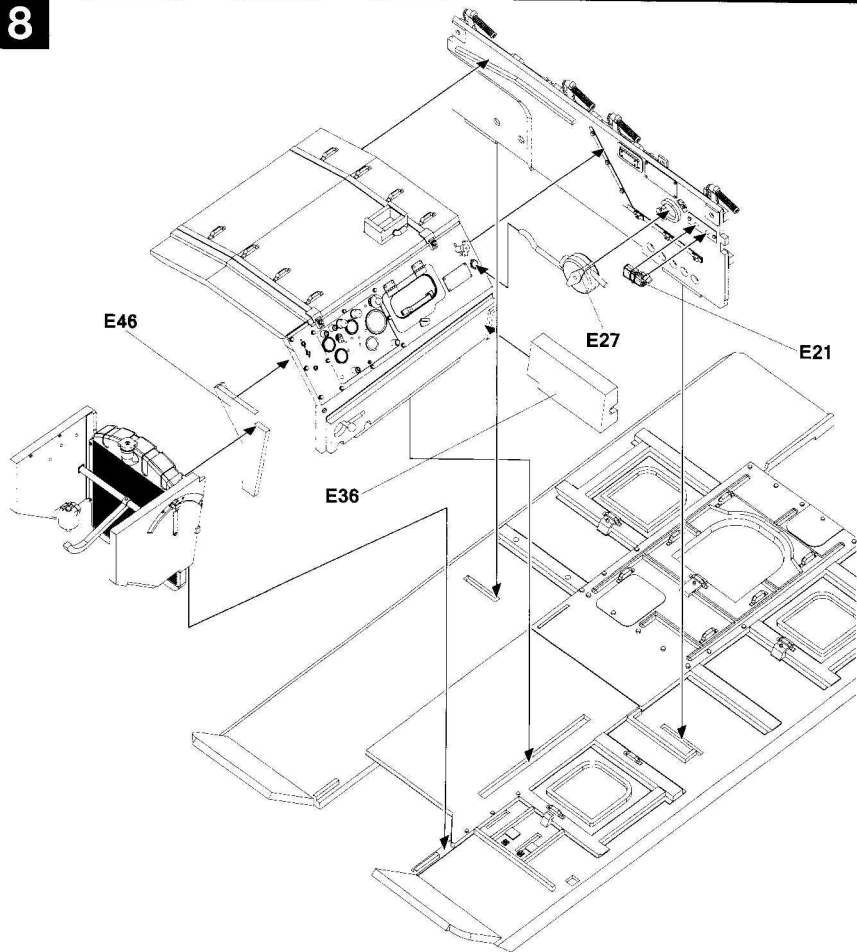


6

7

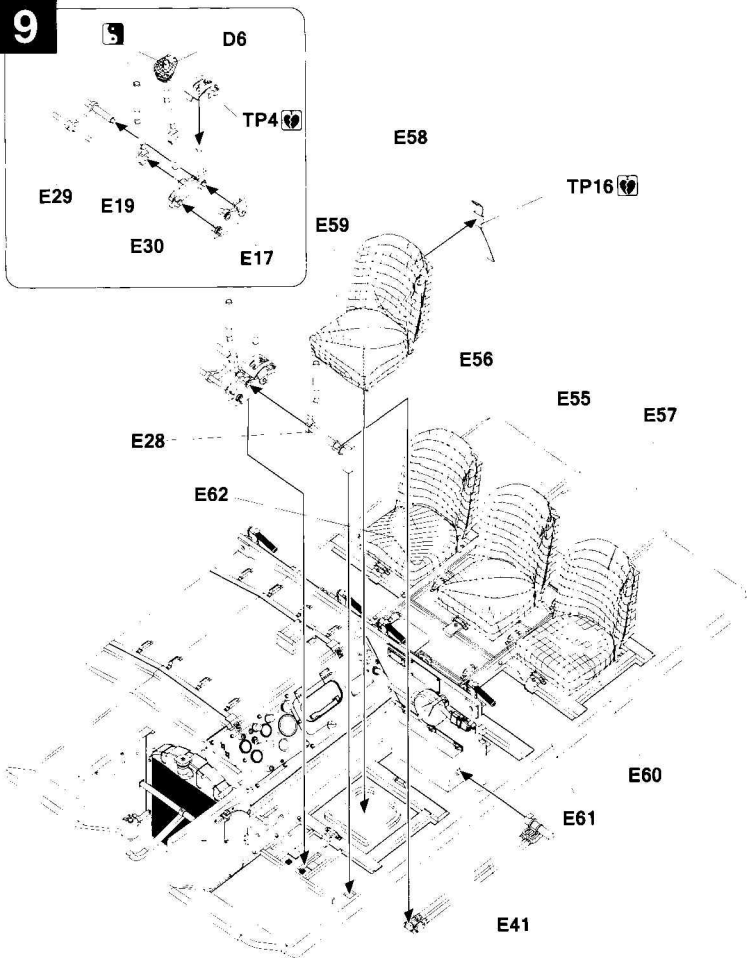


8

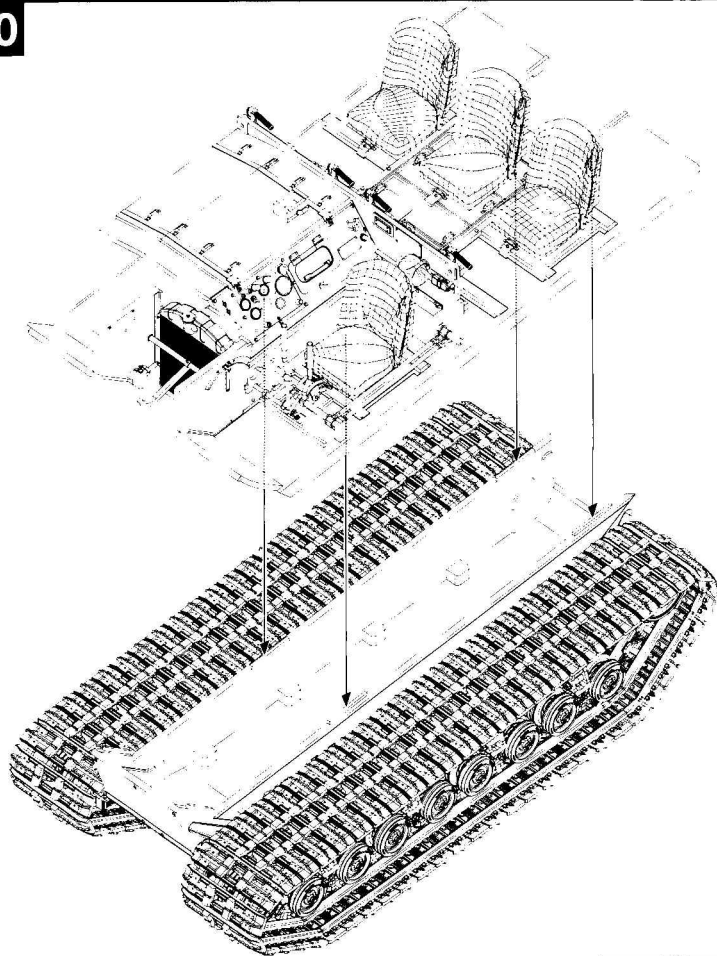


7

9

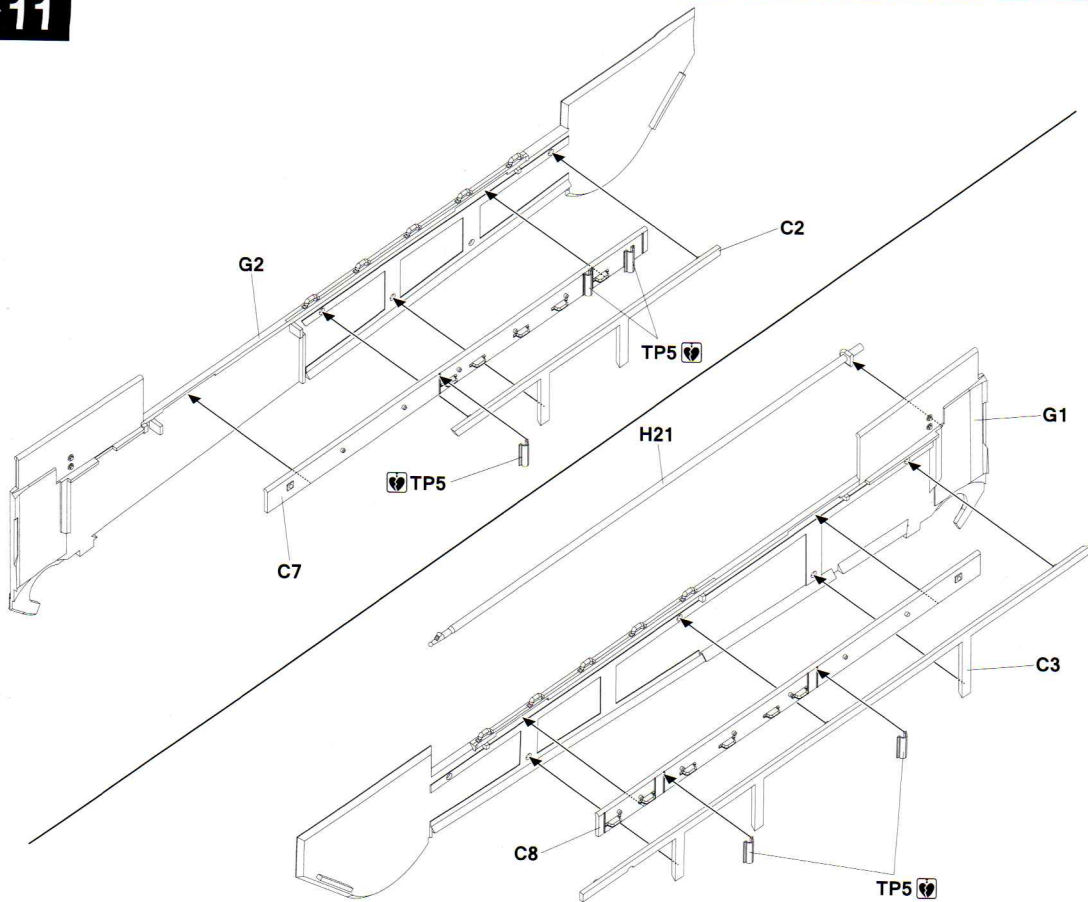


10

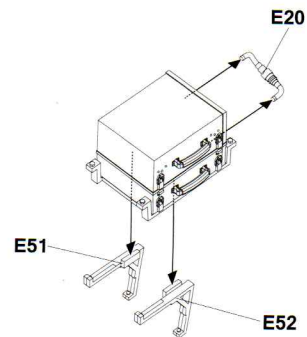
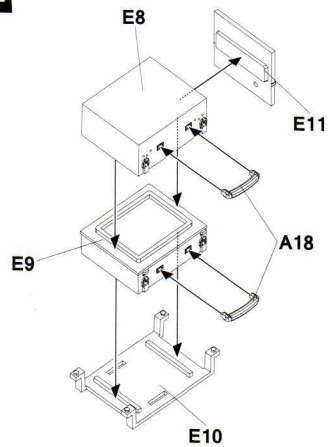


8

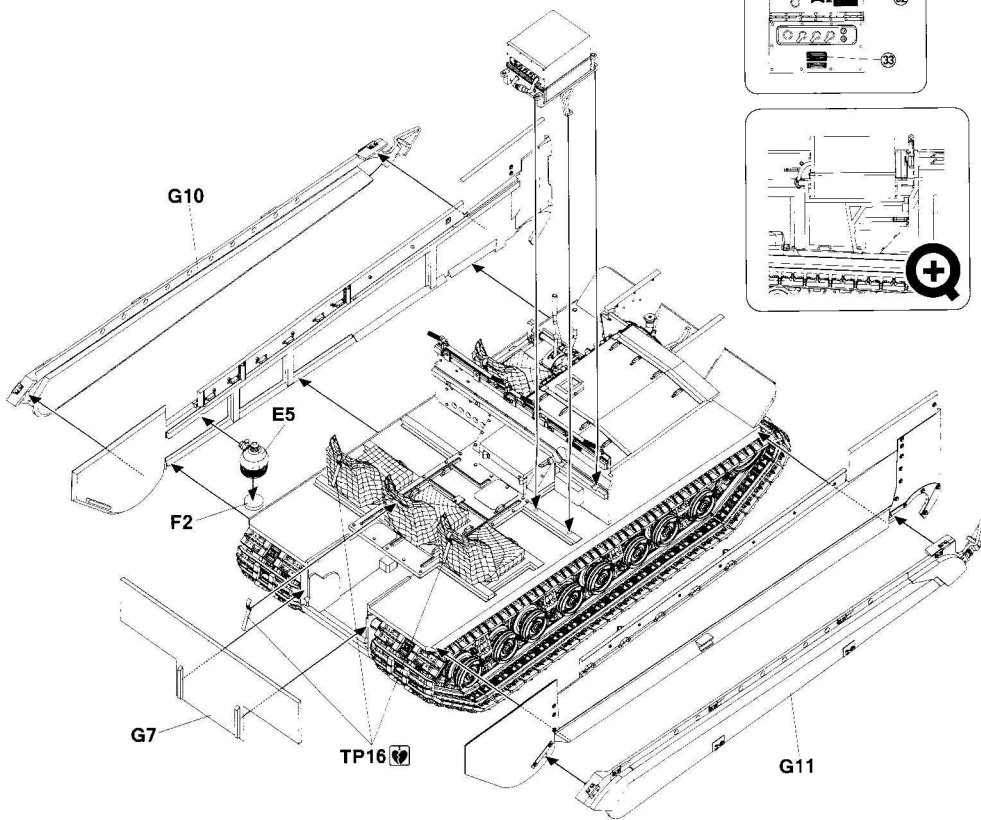
11



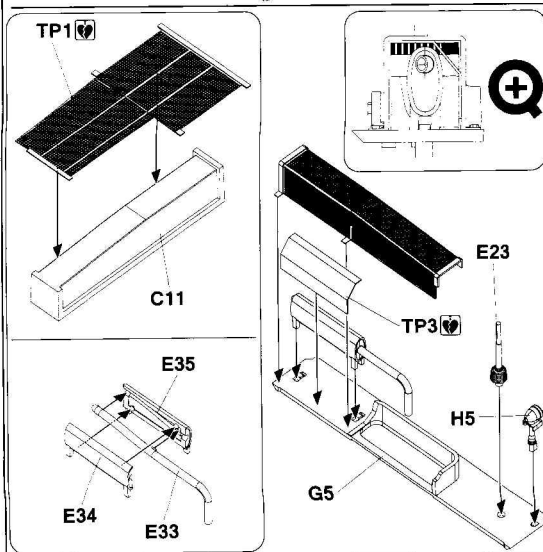
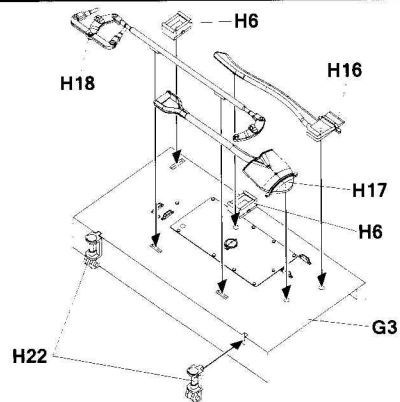
12

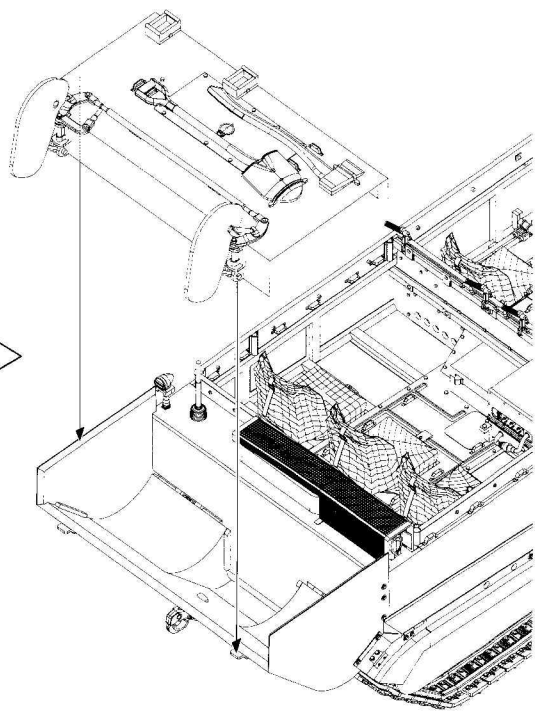
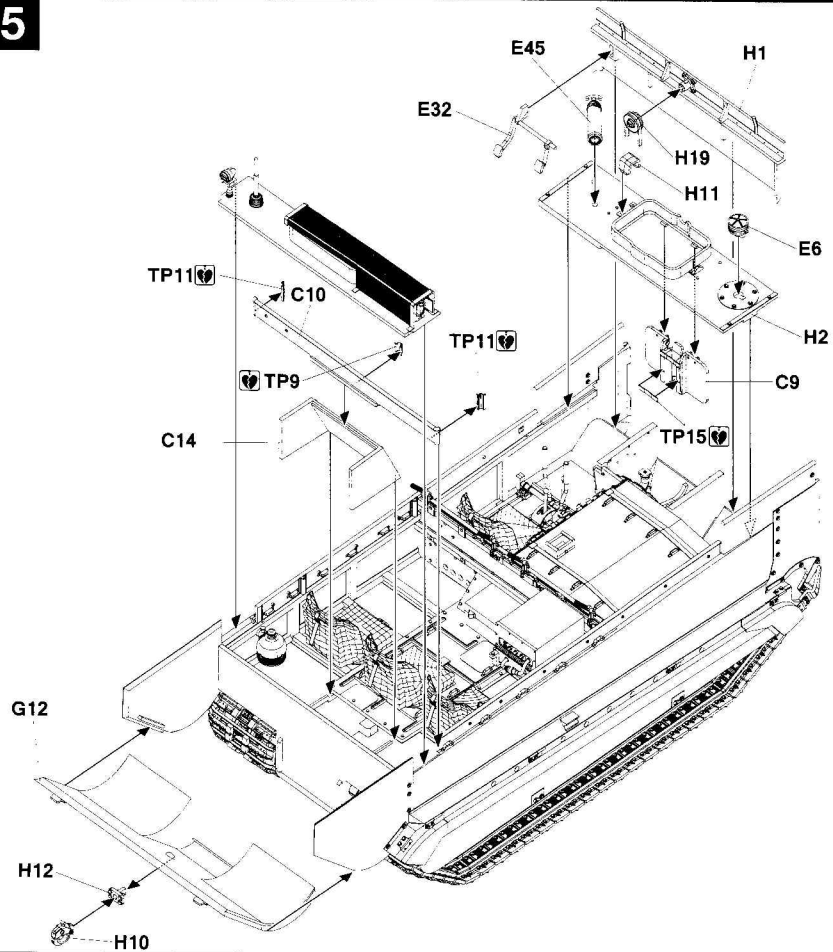


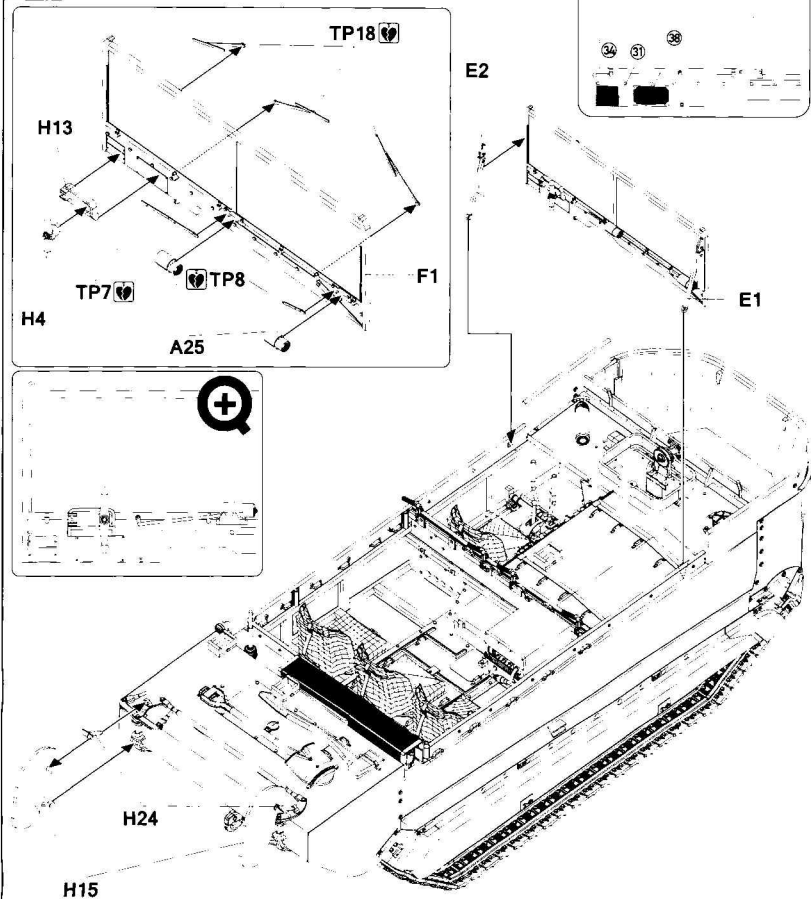
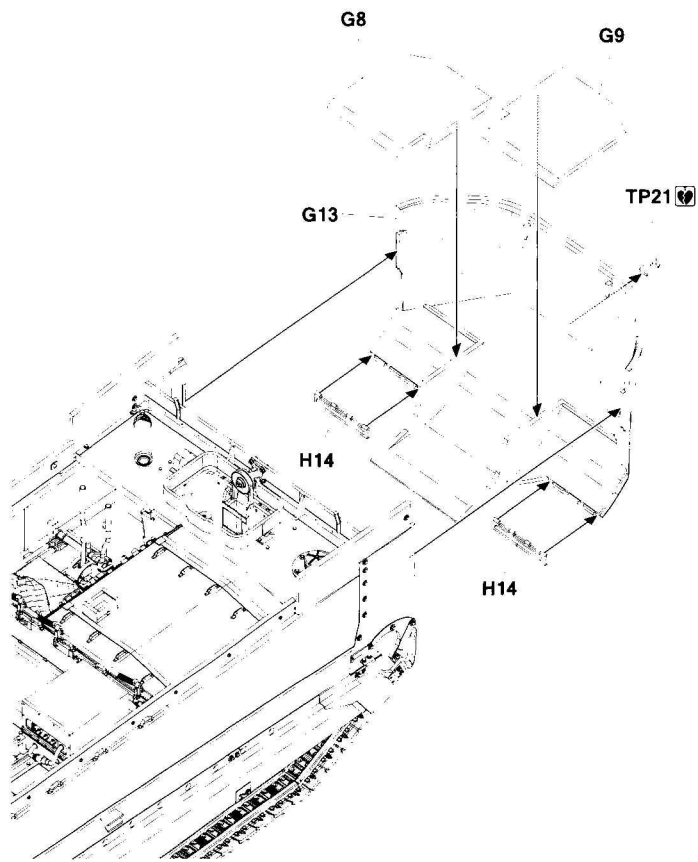
13

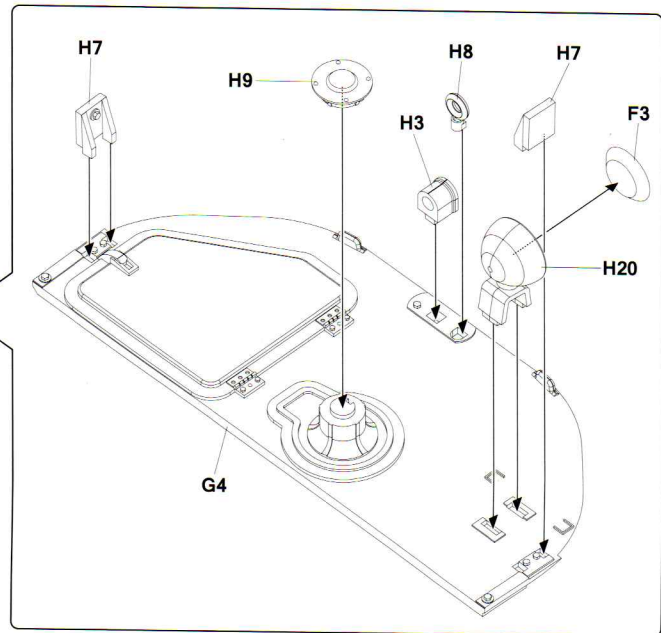
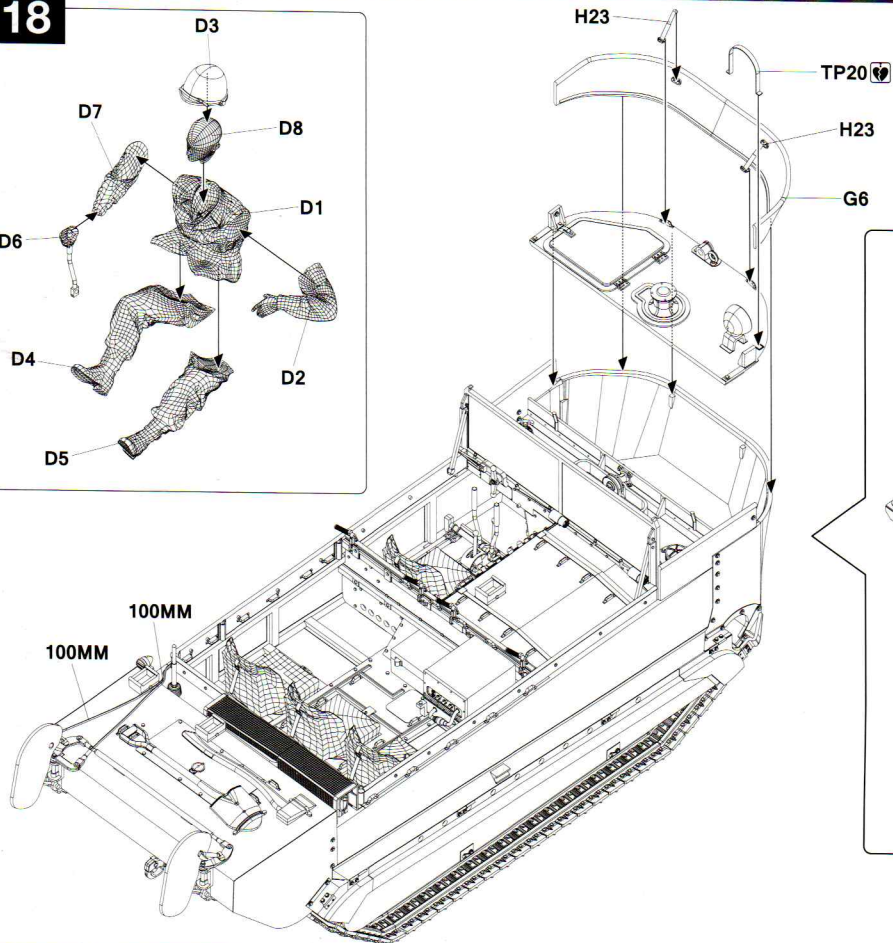
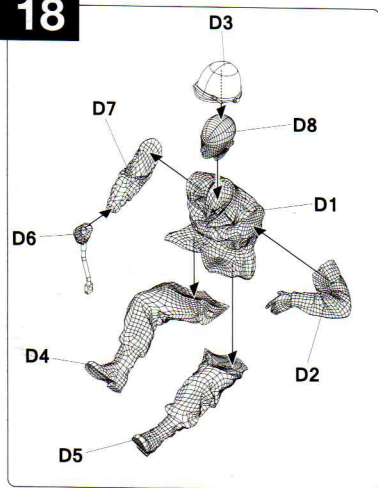


14









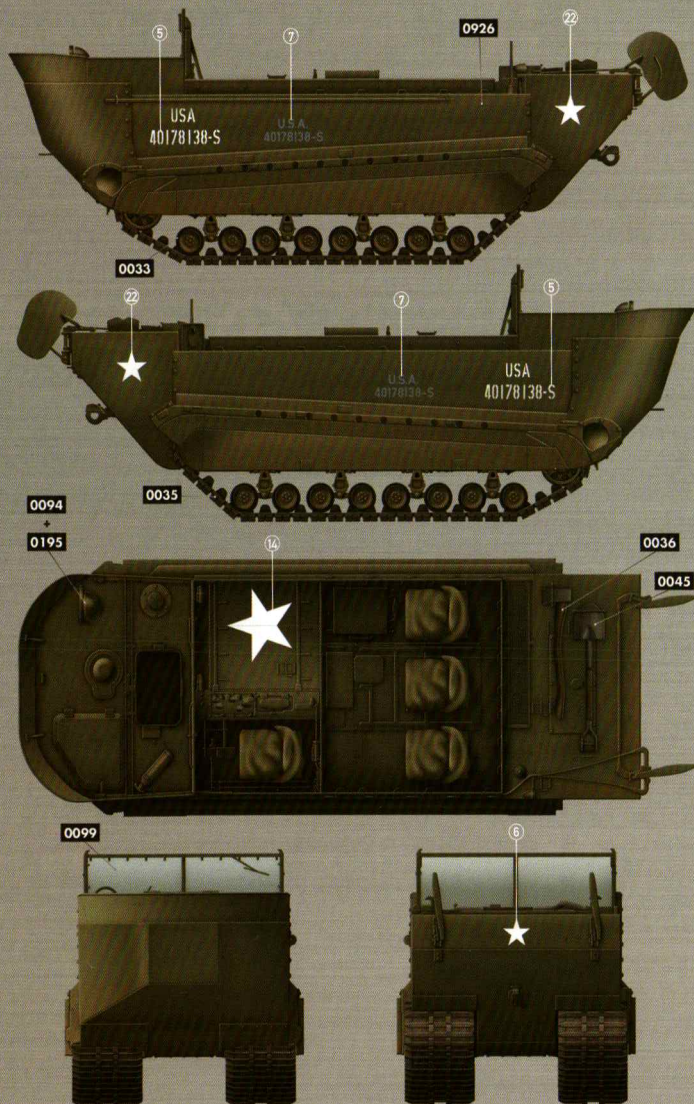
Painting and Marking Guide

TAKOM No: 2168

M29 Weasel

255th Infantry Regiment,
 63rd Infantry Division,
 Forchtenburg, Germany,
 April 1945

A.MIG-0033 Rubber & Tires	A.MIG-0035 Dark Tracks	A.MIG-0036 Old Wood	A.MIG-0045 Gun Metal	A.MIG-0094 Crystal Glass
A.MIG-0099 Crystal Black Blue	A.MIG-0195 Silver	A.MIG-0926 Olive Drab Base		



WEATHERING STEPS WITH AMMO PRODUCTS

1 GENERAL WASH A.MIG-1005 Dark Brown Wash for Green vehicles	3 STREAKING A.MIG-1203 Streaking Grime	5 RAINMARKS A.MIG-1258 Streakingbrusher Dust	7 MUD A.MIG-1702 Turned Earth	9 FUEL A.MIG-1409 Fuel Stains
2 FILTER A.MIG-1508 Green for Grey Green	4 TRACKS WASH A.MIG-1002 Tracks Wash	6 DUST A.MIG-3012 Sand Pigment	8 SPLASHES A.MIG-1751 Dry Steppe	10 OIL A.MIG-1408 Fresh Engine Oil

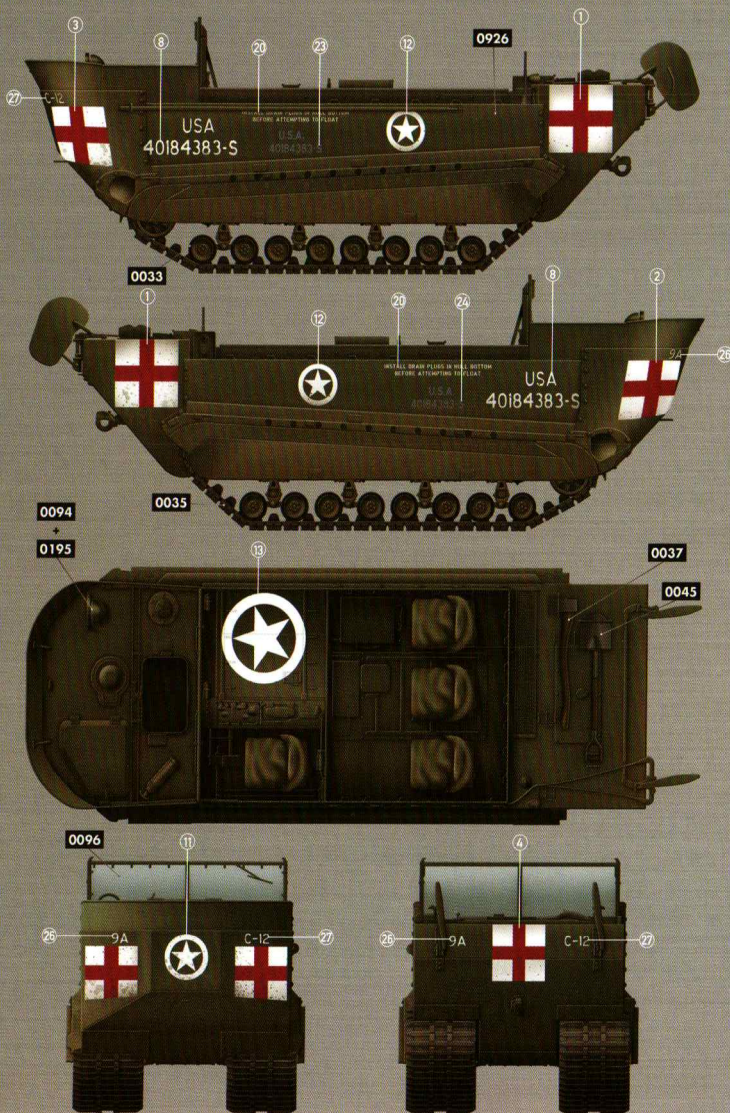
Painting and Marking Guide

TAKOM No: 2168

M29 Weasel

9th Army, Rhine River Crossings,
 Germany, March 1945

- | | | | | |
|--|-------------------------------|-----------------------------------|-----------------------------|---------------------------------|
| A.MIG-0033 Rubber & Tires | A.MIG-0035 Dark Tracks | A.MIG-0037 New Wood | A.MIG-0045 Gun Metal | A.MIG-0084 Crystal/Glass |
| A.MIG-0086 Crystal Petrol/Green | A.MIG-0195 Silver | A.MIG-0926 Olive Drab Base | | |



WEATHERING STEPS WITH AMMO PRODUCTS

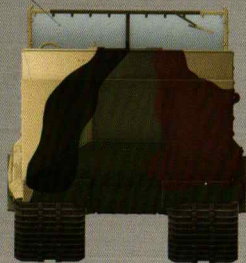
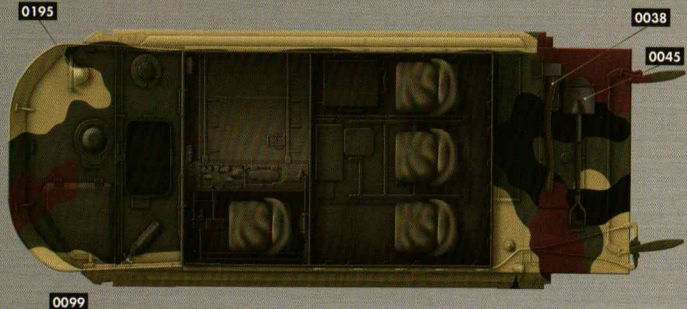
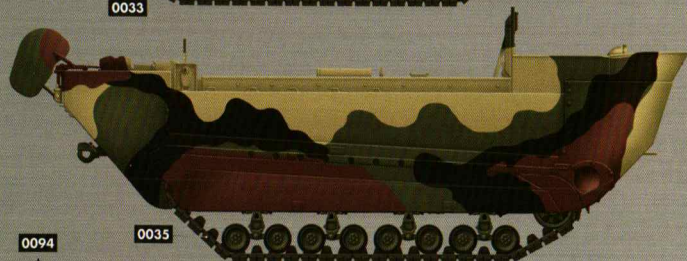
1 GENERAL WASH A.MIG-1005 Dark Brown Wash for Green vehicles	3 STREAKING A.MIG-1203 Streaking Grime	5 RAINMARKS A.MIG-1258 Streaking/brusher Dust	7 MUD A.MIG-1702 Turned Earth	9 FUEL A.MIG-1409 Fuel Stains
2 FILTER A.MIG-1508 Green for Grey Green	4 TRACKS WASH A.MIG-1002 Tracks Wash	6 DUST A.MIG-3012 Sand Pigment	8 SPLASHES A.MIG-1751 Dry Steppe	10 OIL A.MIG-1408 Fresh Engine Oil

Painting and Marking Guide

TAKOM No: 2168

M29 Weasel

USMC, Iwo Jima, March 1945



WEATHERING STEPS WITH AMMO PRODUCTS

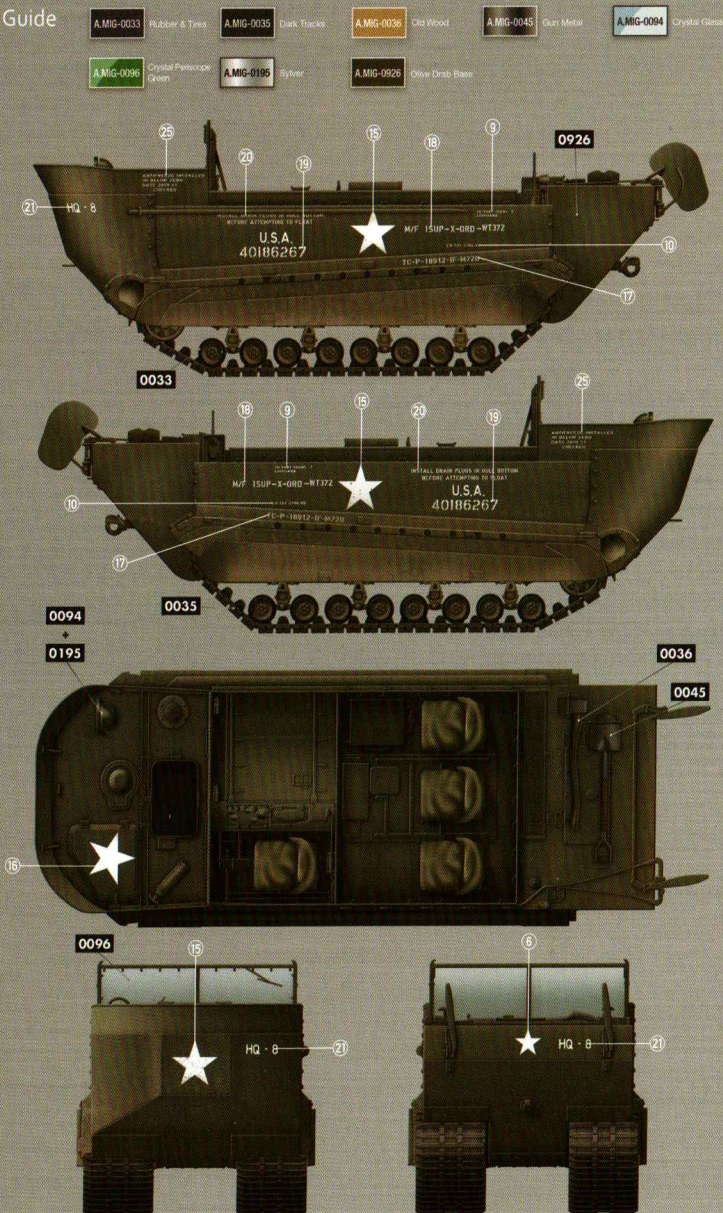
1 GENERAL WASH A.MIG-1005 Dark Brown Wash for Green vehicles	4 DIRT SHADING A.MIG-0853 Dirt Shader	7 RAINMARKS A.MIG-1256 Streakingbrusher Dust	10 MUD A.MIG-1704 Heavy Earth	12 FUEL A.MIG-1409 Fuel Stains
2 FILTER A.MIG-0824 Tan	5 DETAILS HIGHLIGHT A.MIG-0617 Drybrush Medium German Yellow	8 TRACKS WASH A.MIG-1002 Tracks Wash	11 SPLASHES A.MIG-1753 Turned Dirt	13 OIL A.MIG-1408 Fresh Engine Oil
3 CAMO SHADING A.MIG-0852 Earth Shader	6 STREAKING A.MIG-1256 Streakingbrusher Green-Grey Grime	9 DUST A.MIG-3004 Europe Earth Pigment		

Painting and Marking Guide

TAKOM No: 2168

M29 Weasel

Korea, 1952



WEATHERING STEPS WITH AMMO PRODUCTS

1 GENERAL WASH A.MIG-1006 Dark Brown Wash for Green vehicles	3 STREAKING A.MIG-1203 Streaking Grime	5 RAINMARKS A.MIG-1258 Streaking/brusher Dust	7 MUD A.MIG-1702 Turned Earth	9 FUEL A.MIG-1408 Fuel Stains
2 FILTER A.MIG-1508 Green for Grey Green	4 TRACKS WASH A.MIG-1002 Tracks Wash	6 BUST A.MIG-3012 Sand Pigment	8 SPLASHES A.MIG-1751 Dry Steppe	10 OIL A.MIG-1408 Fresh Engine Oil

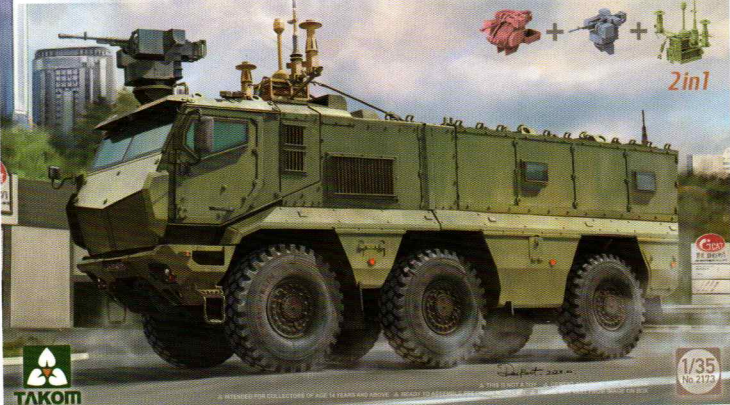
- ▲ ALL HATCHES CAN BE BUILT IN OPEN OR CLOSED POSITION
- ▲ INTERIOR PARTS INCLUDED EXCEPT ENGINE
- ▲ DETAILED STATIC DISPLAY PLASTIC MODEL
- ▲ ALL THE WHEELS ARE MOUNTABLE
- ▲ FRONT WHEELS ARE STEERABLE
- ▲ PE & CLEAR PARTS INCLUDED
- ▲ 1 TYPE OF MARKING

KAMAZ Typhoon-K

w/RP-377VM1&Arbalet-DM RCWS module



2in1

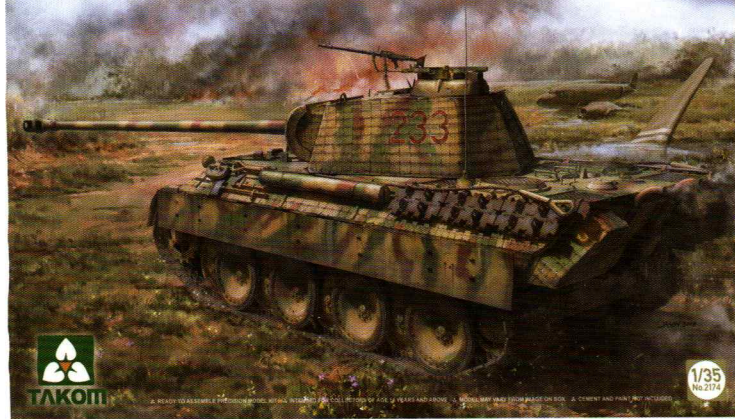


1/35
No.2173

A. INTENDED FOR COLLECTORS OF AGE 14 YEARS AND ABOVE. B. READY TO ASSEMBLE PRECISION MODEL KIT. C. MODEL MAY VARY FROM IMAGE ON BOX. D. CEMENT AND PAINT NOT INCLUDED.

Pzkwfwg.V Panther A early

- ▲ NO INTERIOR PARTS, NO DIBBITT INCLUDED
- ▲ HATCHES CAN BE BUILT OPEN/CLOSED
- ▲ LINK AND LEVER PLASTIC TRACKS
- ▲ DETAILED STATIC PLASTIC MODEL
- ▲ 4 TYPES OF MARKINGS
- ▲ PE PARTS INCLUDED



1/35
No.2174

A. READY TO ASSEMBLE PRECISION MODEL KIT. B. INTENDED FOR COLLECTORS OF AGE 14 YEARS AND ABOVE. C. MODEL MAY VARY FROM IMAGE ON BOX. D. CEMENT AND PAINT NOT INCLUDED.

Pzkwfwg.V Panther A early/mid

- ▲ NO INTERIOR PARTS, NO DIBBITT, NO PEWEE INCLUDED
- ▲ PEU CAN BE BUILT OPEN OR CLOSED POSITION
- ▲ HATCHES CAN BE BUILT OPEN/CLOSED
- ▲ LINK AND LEVER PLASTIC TRACKS
- ▲ DETAILED STATIC PLASTIC MODEL
- ▲ 3 TYPES OF MARKINGS



1/35
No.2175

A. READY TO ASSEMBLE PRECISION MODEL KIT. B. INTENDED FOR COLLECTORS OF AGE 14 YEARS AND ABOVE. C. MODEL MAY VARY FROM IMAGE ON BOX. D. CEMENT AND PAINT NOT INCLUDED.



15-TON MAIN ANCHOR

STERN ANCHOR



1/16
No.1013



A. MODEL MAY VARY FROM IMAGE ON BOX. B. READY TO ASSEMBLE PRECISION MODEL KIT. C. THIS IS NOT A TOY. D. CEMENT AND PAINT NOT INCLUDED. E. INTENDED FOR COLLECTORS OF AGE 14 YEARS AND ABOVE.

