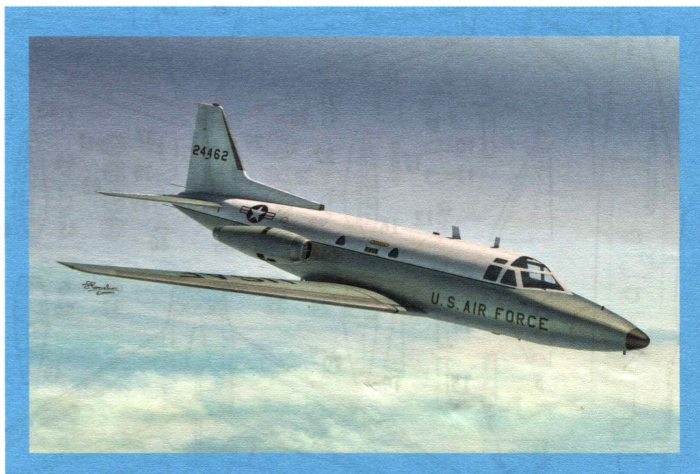


T-39A Sabreliner



T-39A Sabreliner

The North American Sabreliner, also later sold as the Rockwell Sabreliner is a mid-size swept-wing business jet, with rear fuselage mounted engines. Developed by North American Aviation and offered to the USAF in reponse to the Utility Trainer Experimental (UTX) program. The aircraft was named Sabreliner due to the similarity of the wing and tail-plane to the F-86 jet fighter. The civilian prototype flew in September 1958, powered by 2 x General Electric YJ85 turbojet engines. The military version being designated T-39 Sabreliner as used by the USAF, and also by the U.S Navy (USN) and U.S Marine corps (USMC). UTX aircraft were identical airframes to the prototype, but fitted with 2 x Pratt & whitney JT 12A-8 engines. UTX aircraft used for personnel transport, and combat readiness training. By 1973, North American had merged with Rockwell Standard, and later became Rockwell International. 1976; redesigned wing by Raisbeck Engineering, Raisbeck Mk V, the first 'super-critical' wing in U.S. service, and combined with Garrett TFE 731 turbofan engines, creating a new '65' series of aircraft. Series 60 and 80 were retro-fitted with the MK V wing, becoming 60A and 80A. The T39 used as combat support in Vietnam replacing the Martin B-57 Canberra for priority cargo such as photo-recon film from outlying bases, to Saigon. Other variants were used for both high altitude instrument navigation and low level visual navigation, and aircraft fitted with different versions of radar to train bombardier/navigators, recon-navigation and electronic counter-measures, and training pilots in the use of radar before flying combat aircraft. Osama bin Laden was said to have owned a used USAF T39-A. 200 T39 variants were built, and the aircraft is still in service.

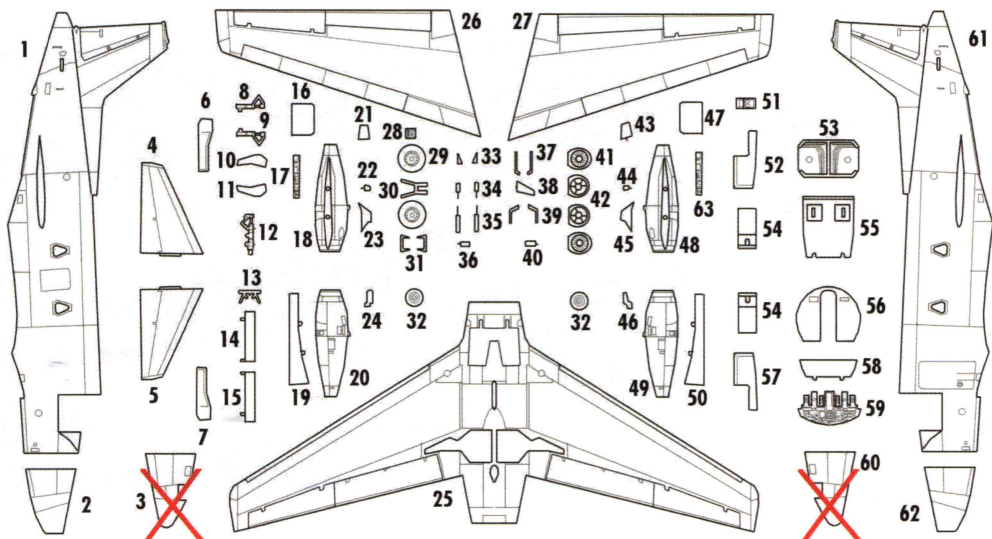
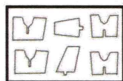
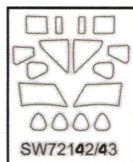
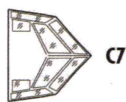
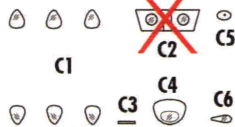


PHOTO-ETCHED



CLEAR



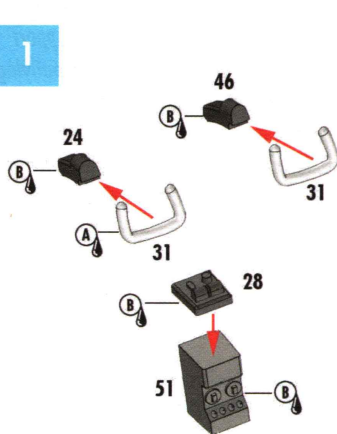
MASK



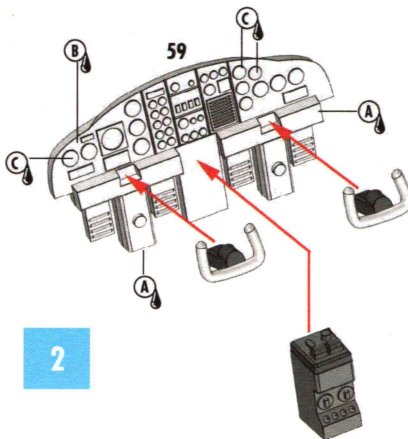
SW72142/43



1



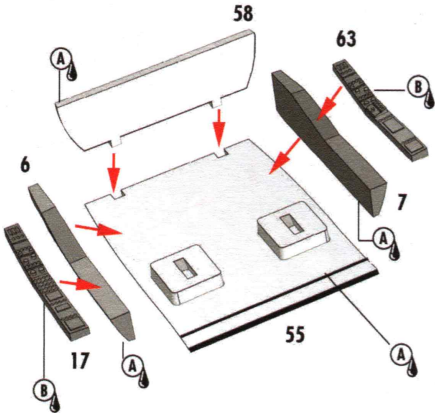
2



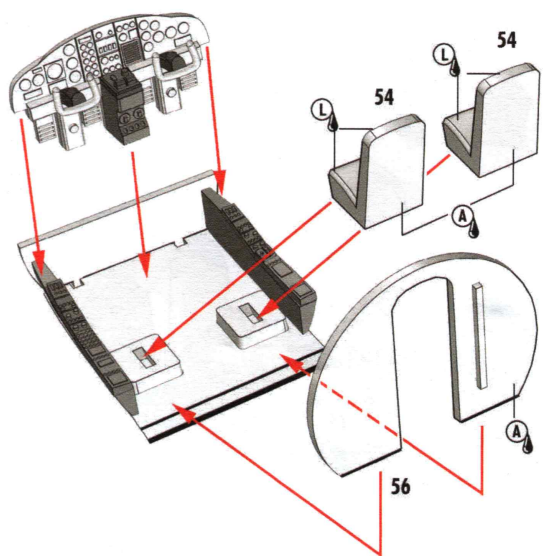
BARVA/COLOR

- A Světle šedá / Light Grey
- B Černá/Black
- C Stříbrná/Silver
- D Hliníková / Aluminium
- E Chromová / Chrome
- F Šedá / Grey
- G Přírodní kov / Natural metal
- H Kovová / Gun metal
- I Barva pneu / Tyres Black
- J Bílá / White
- K Střední šedá / Medium Grey
- L Modrá / Blue

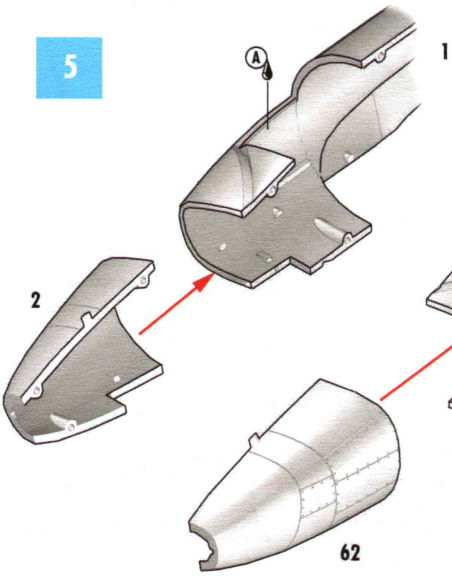
3



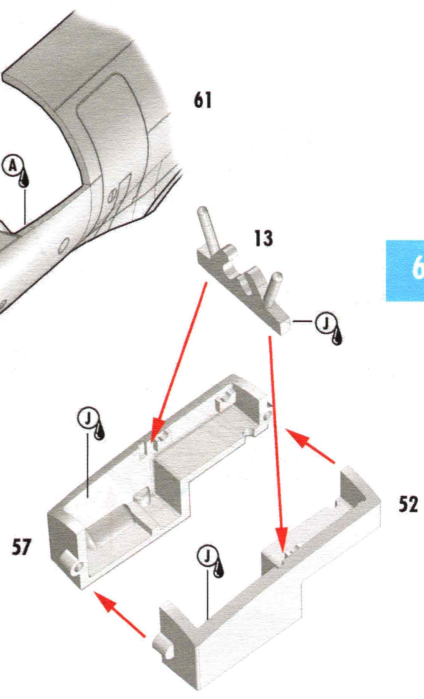
4

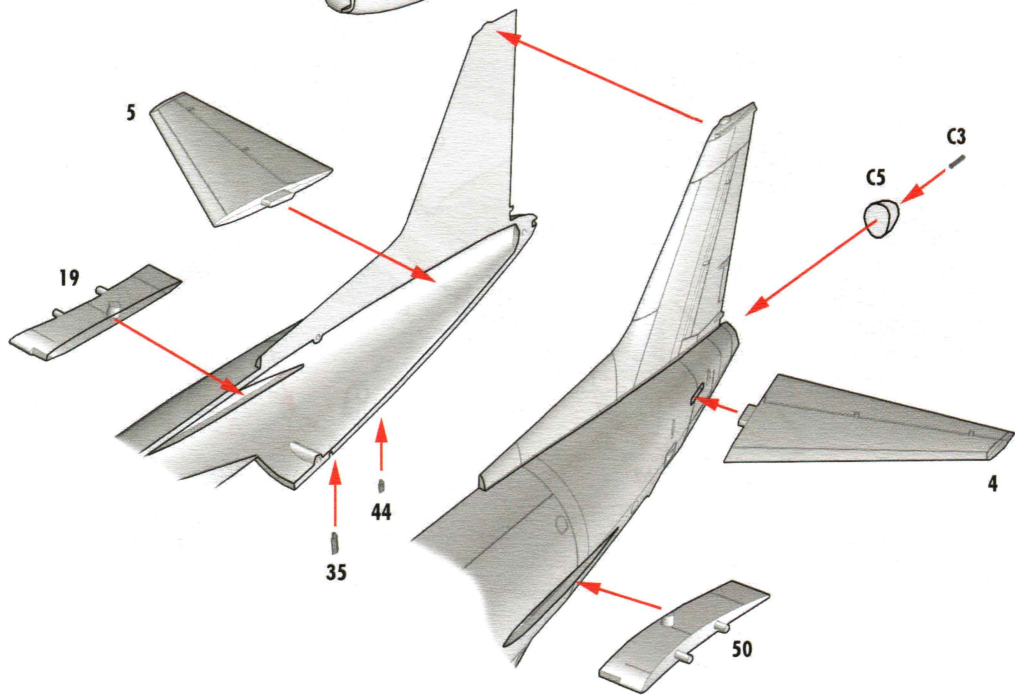
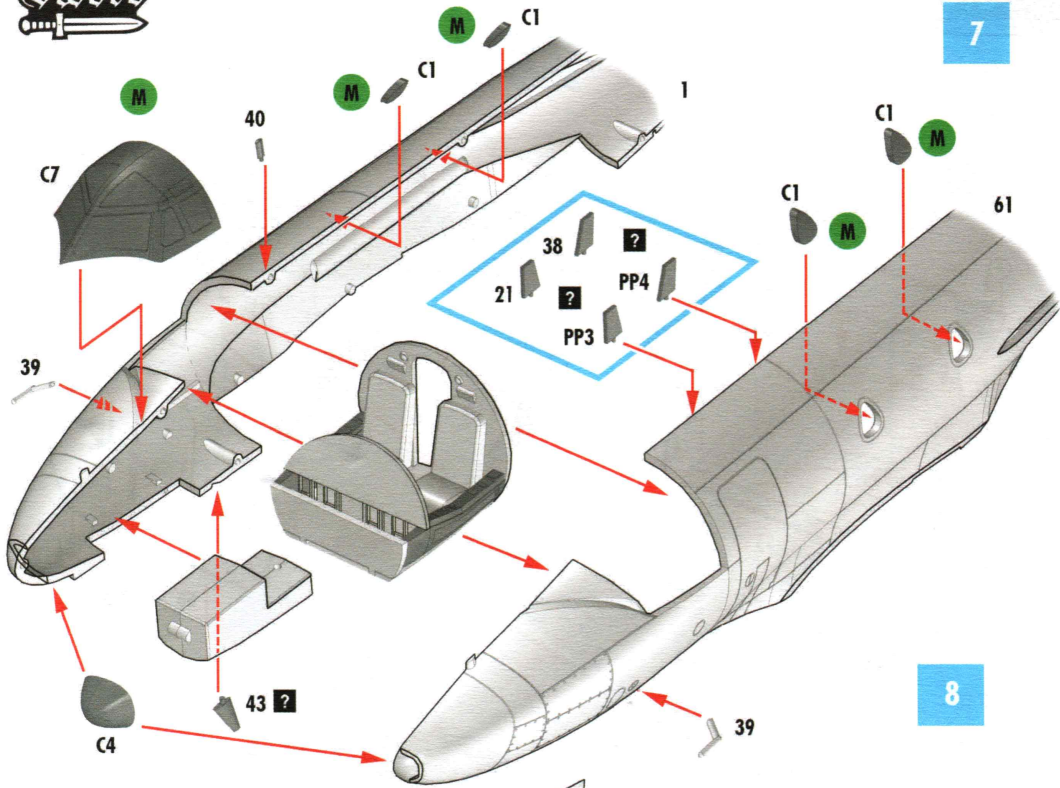


5

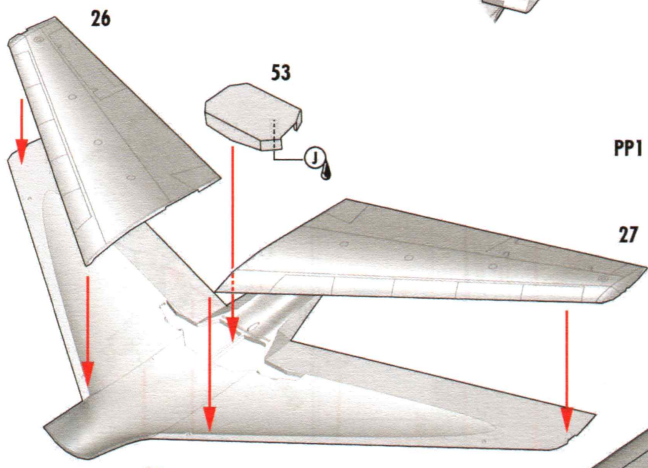
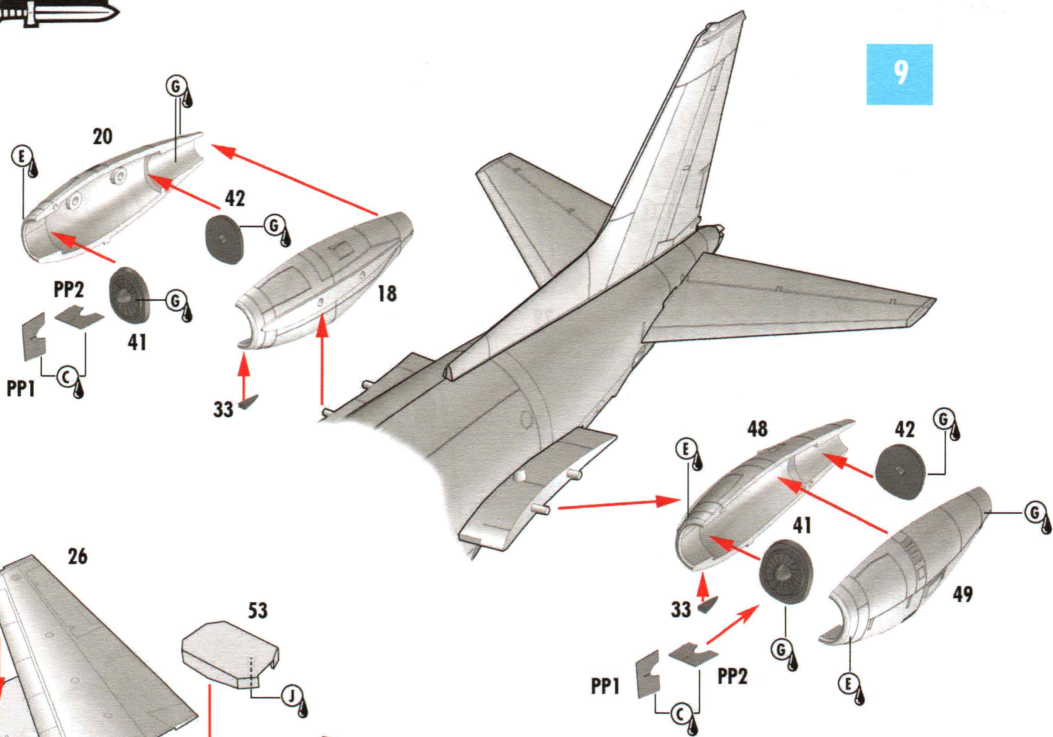


6

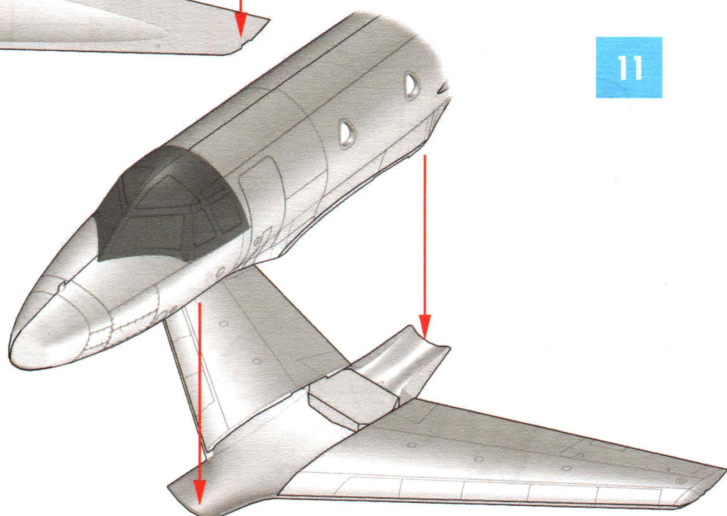




9

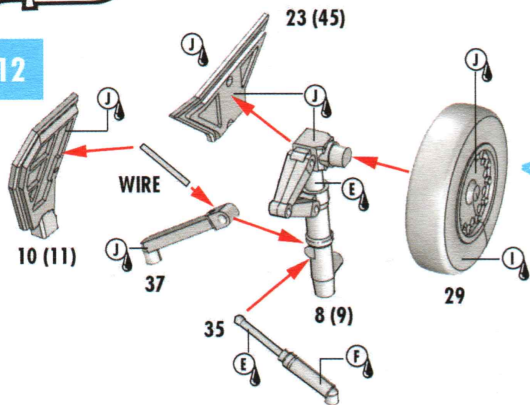


10



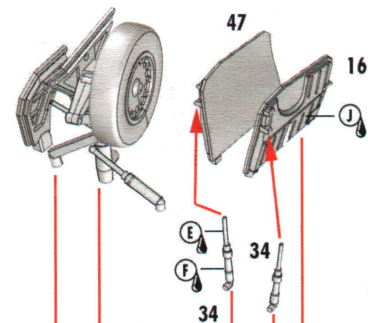
11

12

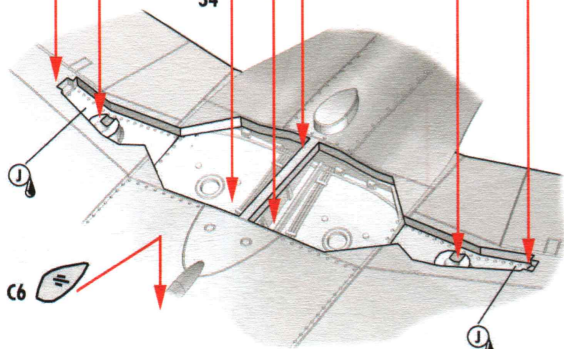


INFO

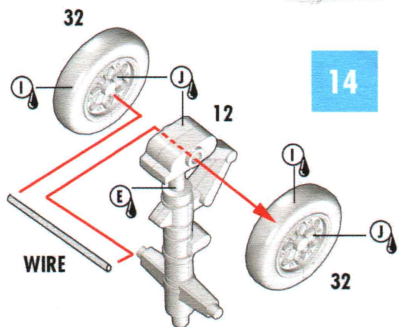
47



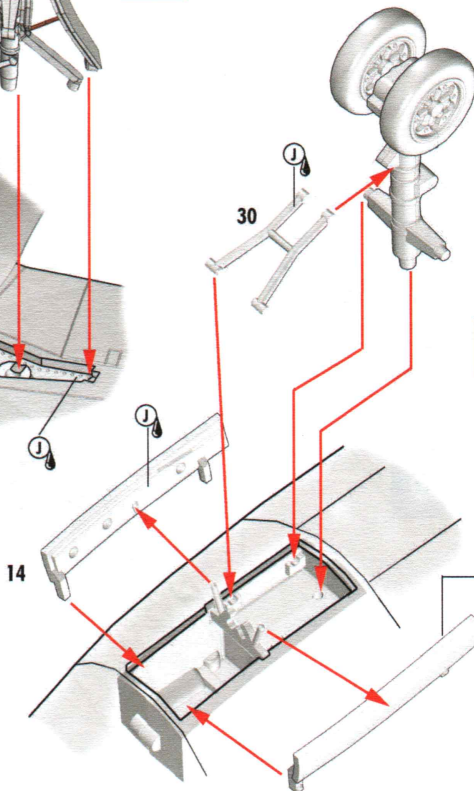
13



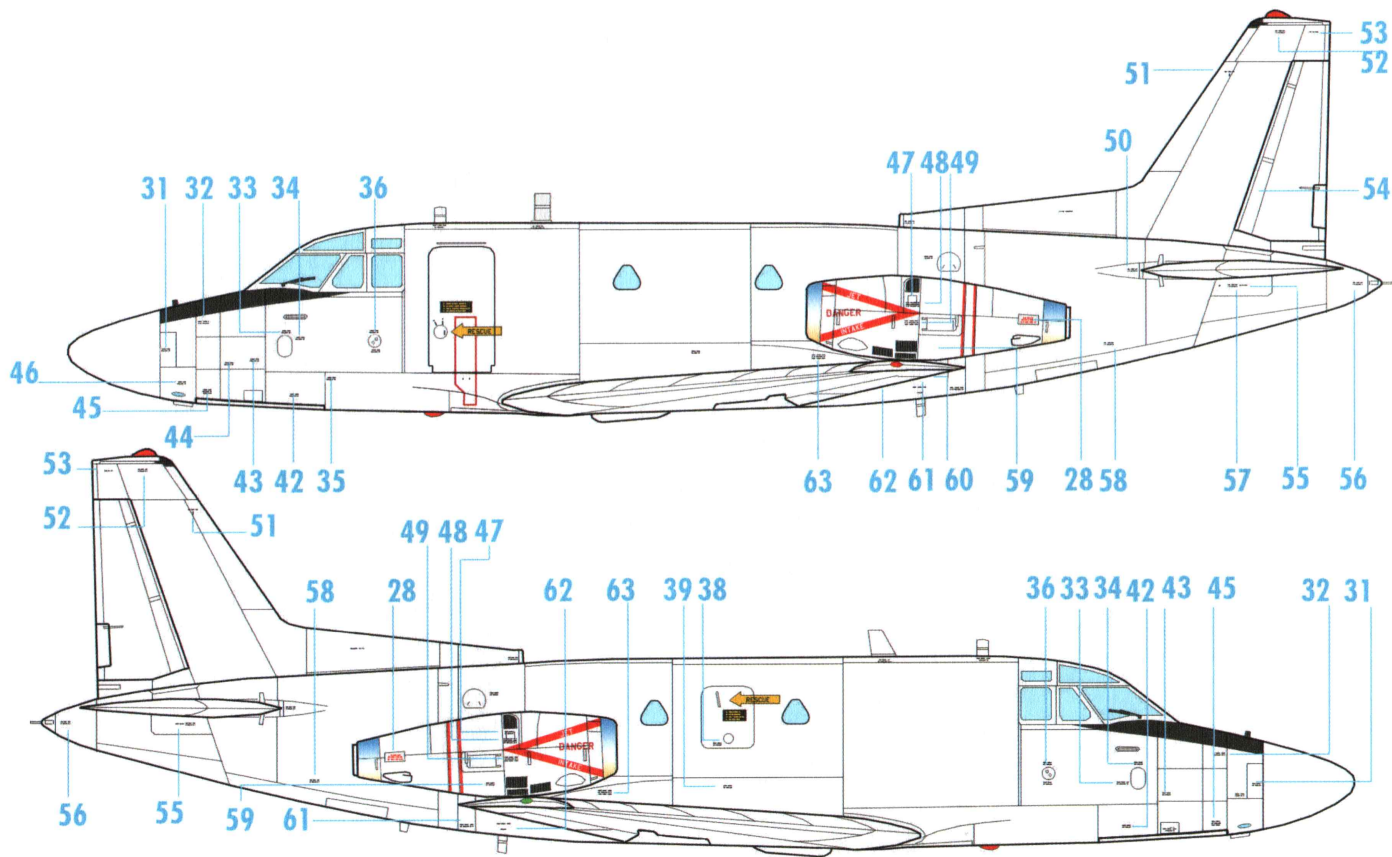
14

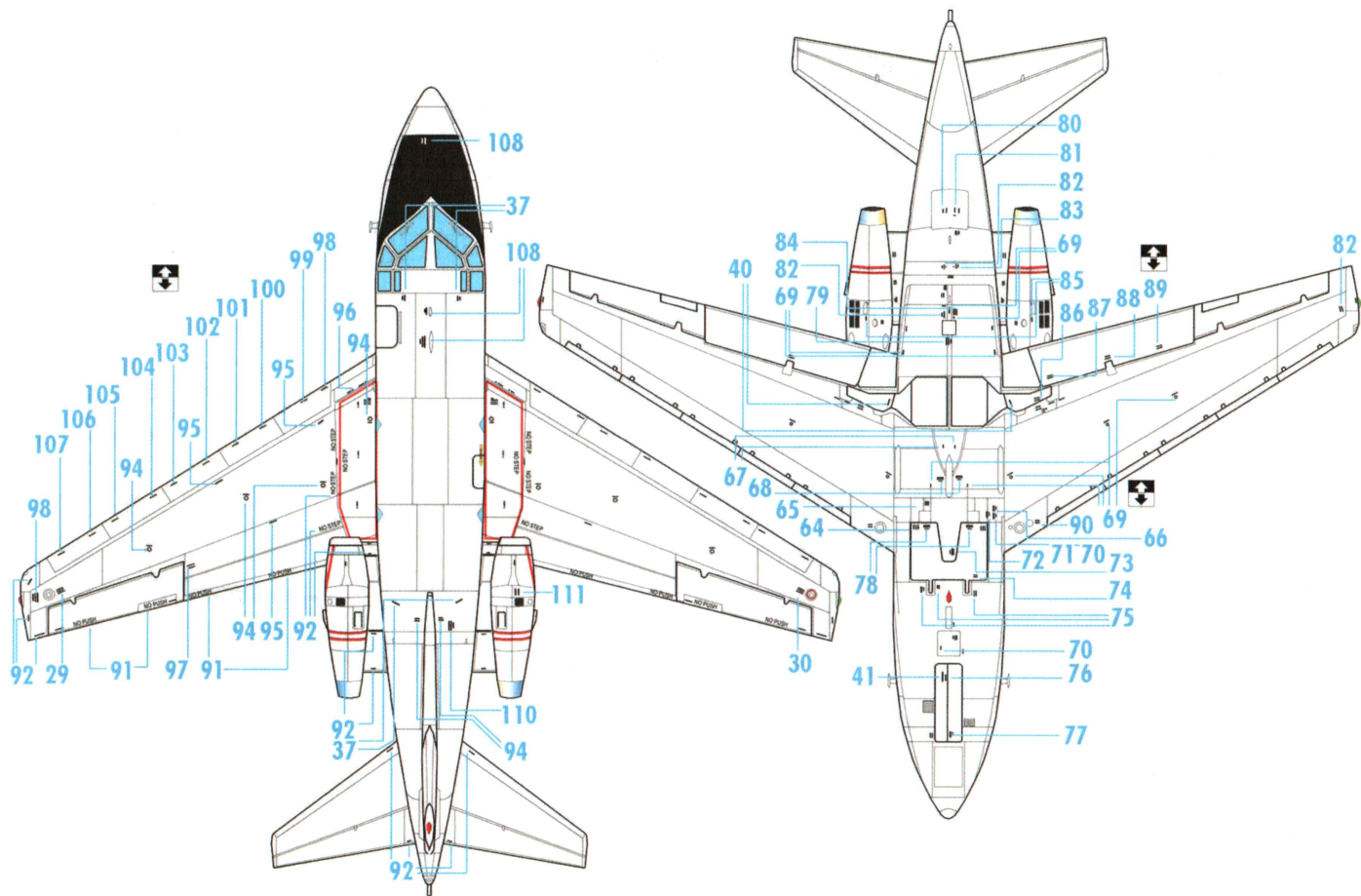


15

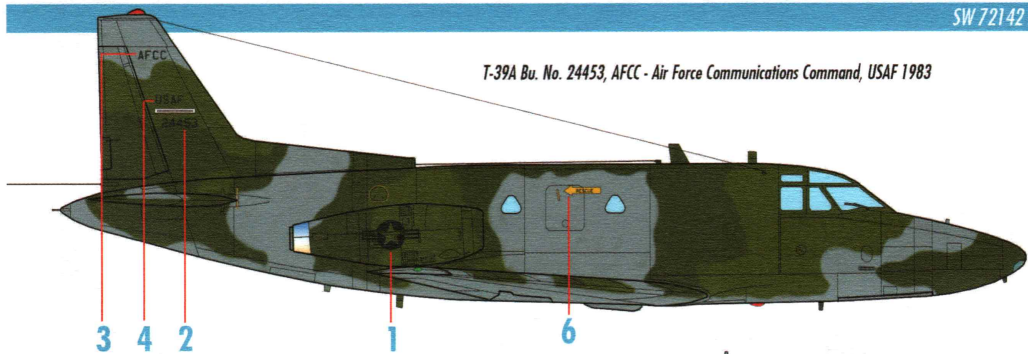


15



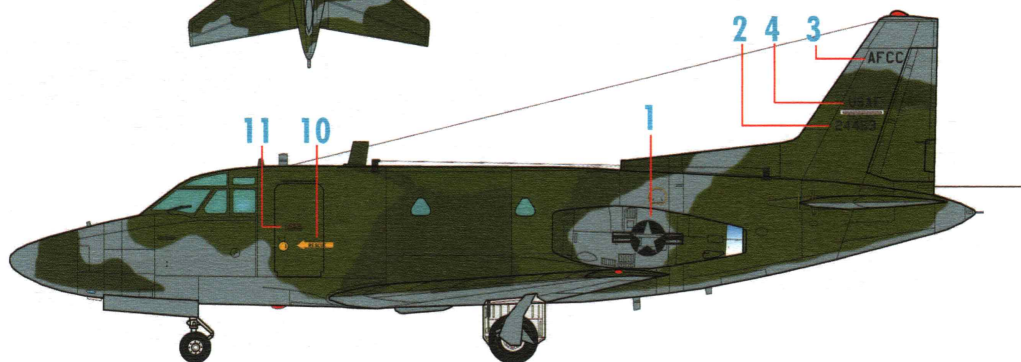
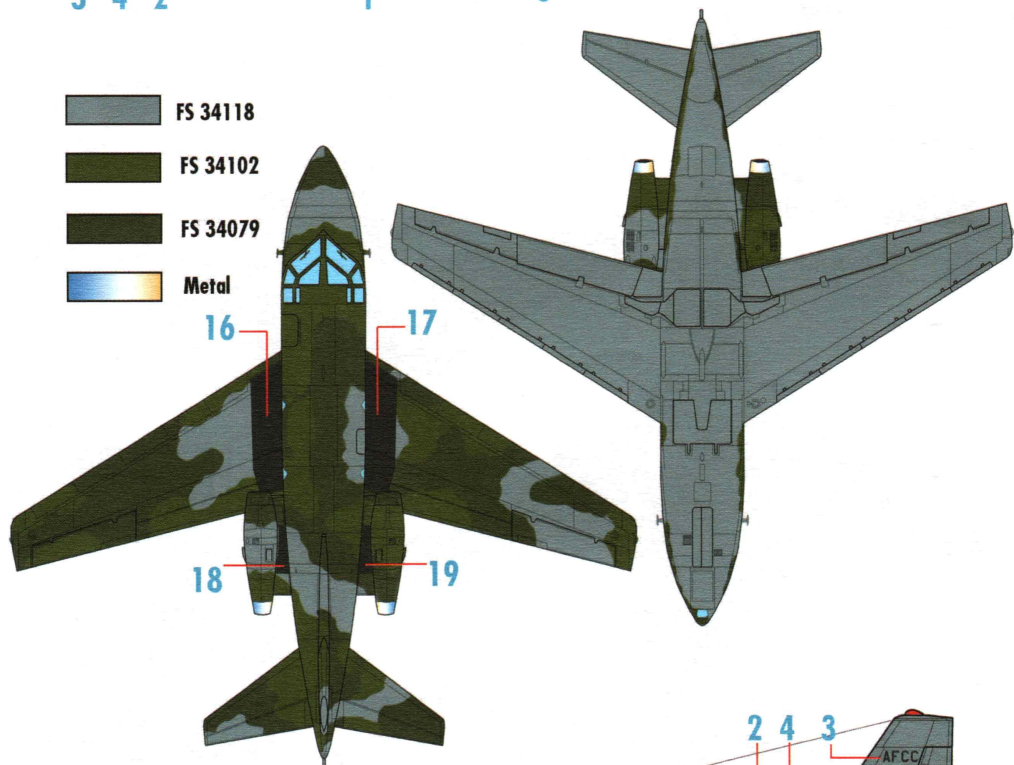


T-39A Bu. No. 24453, AFCC - Air Force Communications Command, USAF 1983

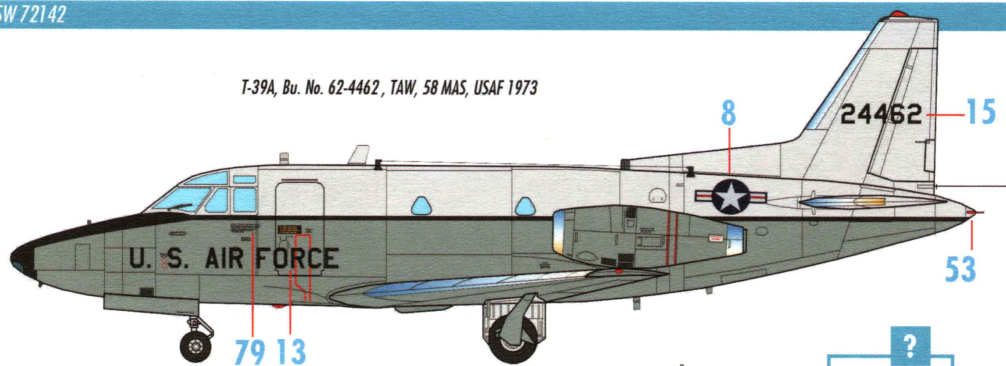

 FS 34118

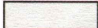



 FS 34102

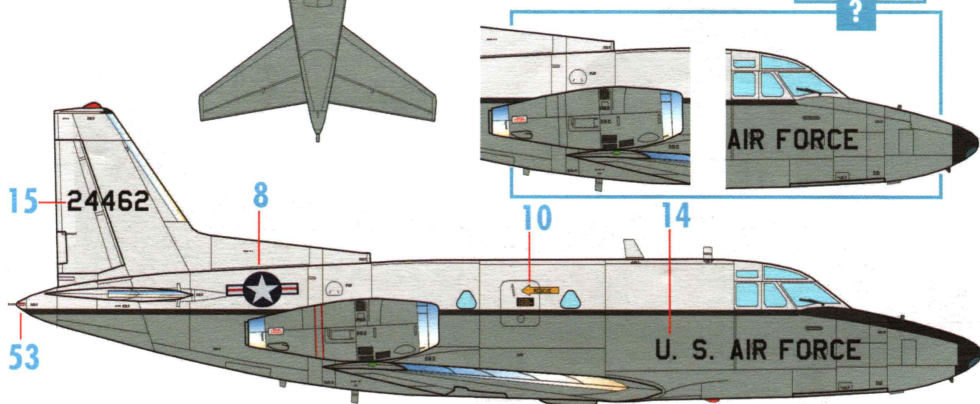
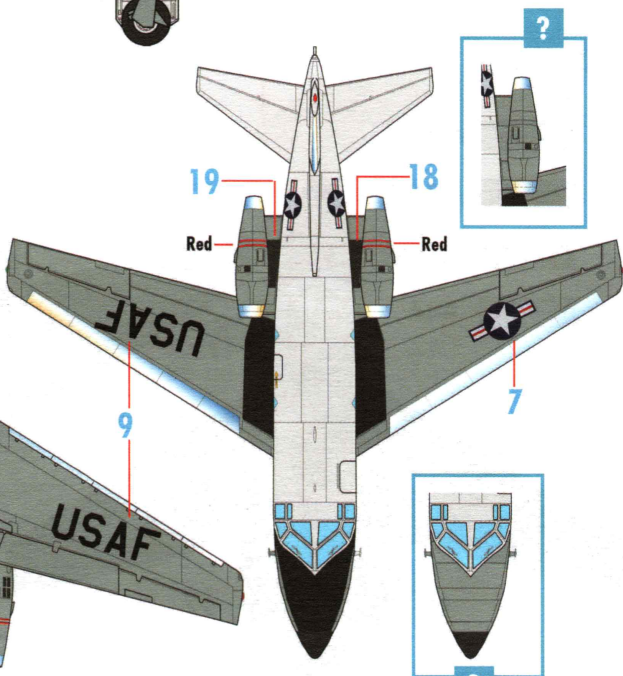
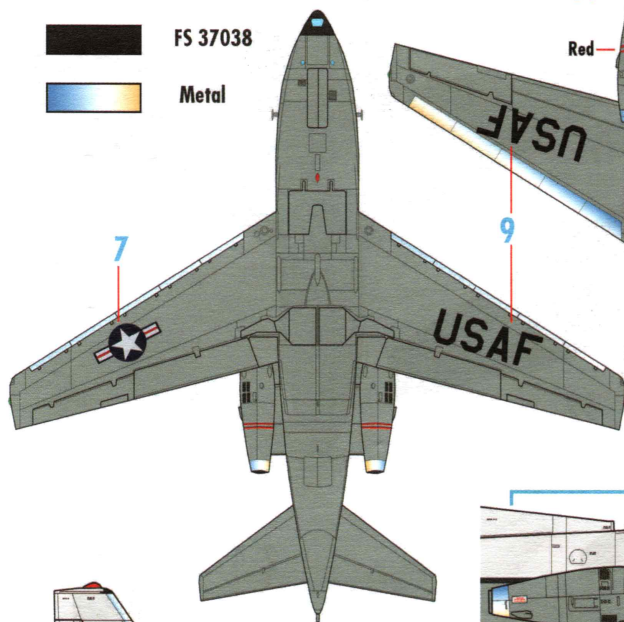
 FS 34079

 Metal


T-39A, Bu. No. 62-4462, TAW, 58 MAS, USAF 1973



-  FS 17875
-  FS 36495
-  FS 37038
-  Metal





1



24453

AFCC

USAF

2

3

4

24453

AFCC

USAF

16

17

18



RESCUE

RESCUE

RESCUE

RESCUE

RESCUE

RESCUE

RESCUE

RESCUE

RESCUE

RESCUE

RESCUE

RESCUE

RESCUE

RESCUE

RESCUE

RESCUE

RESCUE

RESCUE

RESCUE

RESCUE

RESCUE

RESCUE

RESCUE

RESCUE

RESCUE

RESCUE

RESCUE

RESCUE

RESCUE

RESCUE

RESCUE



7



8



8



12 13

U.S. AIR FORCE T-39A
S.F. MODEL AND SERIAL
SERIES TAG SET WITH
NAME OF A No. 1 T-39A



11

RESCUE

U.S. AIR FORCE

U.S. AIR FORCE

24462 24462

66	67	68	69	70	71	72	73	74	75	76	77	78	79	80	81	82
83	84	85	86	87	88	89	90	91	92	93	94	95	96	97	98	99
100	101	102	103	104	105	106	107	108	109	110	111					



72142 T-39A

Printed by Techmod