



MAGIC
FACTORY

Air Defense System
IRON DOME

1/35
SCALE

2001

“铁穹”防空系统

Air Defense System Iron Dome

2011年3月底，一款神奇的防空系统“铁穹”，开始部署在以色列贝尔谢巴。几天之后它就取得了战绩：在以色列国防军的控制下，成功拦截了来自加沙方向的火箭弹。

At the end of March 2011, a miraculous air defense system Iron Dome was initially deployed in BeerSheba, Israel. A few days afterwards, it was reported that the system successfully intercepted rocket bombs from Gaza under control of IDF.

饱受“卡桑”火箭困扰的以色列一直希望能有一套切实有效的办法抵御这种随时可能出现的威胁。之前的多次冲突中，化整为零的抵抗组织民兵从随机的地点向以色列平民聚集区发射火箭弹或使用迫击炮进行炮击，大量平民生活受到影响。但是以色列的盟友美国经过评估后认为难以有效拦截这些目标，以色列只能独立开发防御手段。

Suffering from attacks of Qassam, Israel had been looking for an effective way to defend against the threat that would occur anytime. The Lebanon militiamen fired rocket bombs or mortars to Israeli populated areas from random cites during previous conflicts, which badly influenced lives of a large number of Israeli civilians. But U.S., the ally of Israel, believed that it was hard to intercept those targets effectively after evaluation. Israel had to develop its own defense method independently.

2004年项目立项，2007年进行了拦截弹测试，2011年开始服役，“铁穹”的研发效率之高令人惊讶，与常见拦截飞机或直升机的防空系统不同，以色列研制的该系统主要用于拦截火箭弹、炮弹、导弹等体积较小且飞行轨道难以计算的目标。系统拥有很高的自动化水准，控制系统可以在几乎没有预警时间的前提下指挥多个发射单元同时对20个以上的来袭目标。而拥有20枚拦截弹的发射单元可以单独布置，接受控制终端的统一指挥，能够保护更大面积的地区。5万美元一枚的拦截弹成本也足以应付大规模使用。

Approved in 2004, tested in 2007 and took service in 2011, the development progress of Iron Dome was remarkably fast. Different from common defensesystems like interceptor aircraft or helicopters, the system developed by Israel is mainly designed to intercept rather small-sized targets like rockets, artillery bombs, guided missiles and whose trajectories are hard to calculate. The system is highly automated to command multi-launchers to intercept over 20 incoming targets simultaneously without any pre-warning time. Each launcher, consisting of 20 interceptors, can be deployed separately and controlled by the terminal remotely and synchronously to protect a larger area. The cost of \$ 50,000 per interceptor is affordable for the use in large scale too.

从服役至今，每年该系统都拦截了上百枚射向平民的火箭弹或者炮弹。2021年5月，巴以局势最紧张的时刻，哈马斯在10天内发射了超过4000枚火箭弹，据悉其中90%都被“铁穹”拦截，拦截弹拖着尾焰冲上天空的照片一时间成为了各大媒体的头条，成为了最新的明星武器。

The system have intercepted hundreds of rocket or artillery barrages fired to populated areas ever since its service. In May 2021, when the intense conflicts between Lebanon and Israel came to its peak, there were over 4000 rockets fired from Hamas within 10 days, 90% of which were intercepted by Iron Dome. Then the images of the interceptors with exhaust flames trailing were published on headlines of media at once. The system has become a brand-new star weapon.

制作前请仔细阅读以下内容

Read carefully before assembly

注意

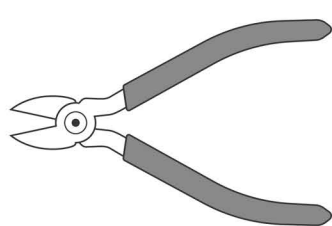
- 本模型适合的最小年龄为15周岁，15周岁以下制作时应当有家长陪同。
- 请勿吞食产品包装中的物品，包括但不限于零件、说明书、包装袋等。
- 将零件取出后应立即丢弃包装袋，请勿将包装袋置于口鼻处或套在头上，以免引起窒息。
- 请勿将本产品置于明火或高温源附近。

Caution

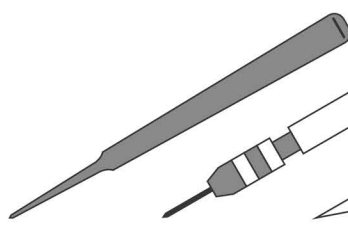
- The model kit is for modellers aged 15 and above. Children under 15 should be accompanied by parents.
- Don't swallow any items in the package, including but not limited to parts, stickers, manual and vinyl bags.
- Please dispose properly vinyl bags once unpacking parts. Don't put them to your mouth, nose or on your head.
- Keep this product away from fire or high temperature source.

使用工具

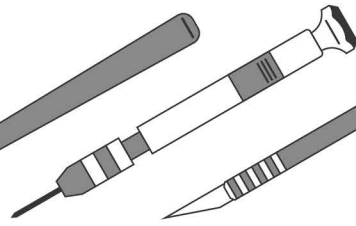
Tools recommended



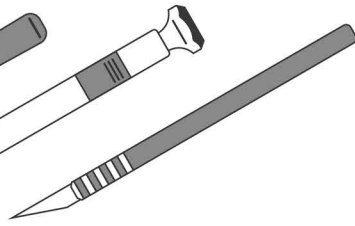
剪钳
Side cutters



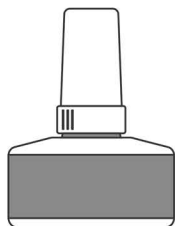
镊子
Tweezers



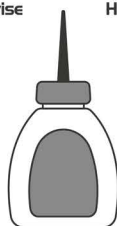
手钻
Pin vise



笔刀
Hobby knife



模型胶水
Cement



瞬干胶
Cyanoacrylate glue

图标说明

Icon



优先制作
Assemble first



对称制作
Both sides



选择其一
Chose one



使用贴纸
Use decal



使用瞬干胶
Use CA cement



钻孔
Drill hole

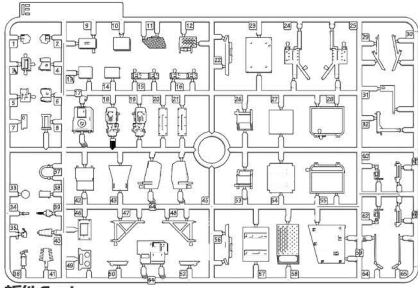


切割
Cut

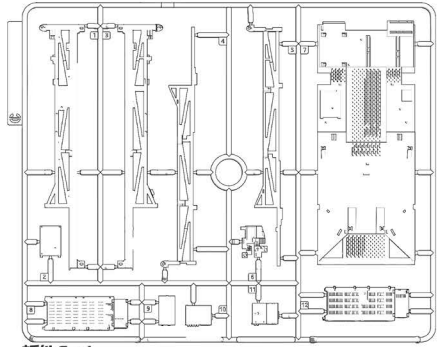


注意
Caution

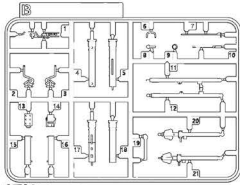
零件图 Parts



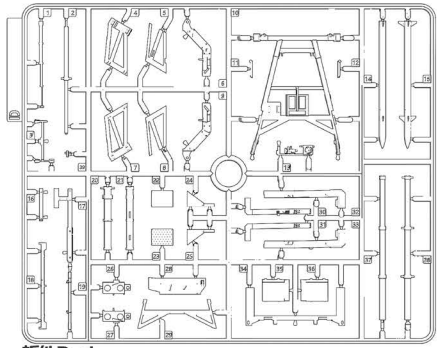
板件E x1
Parts E x1



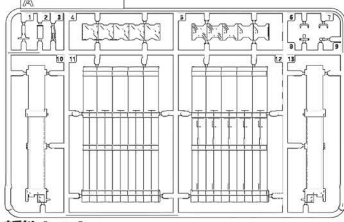
板件C x1
Parts C x1



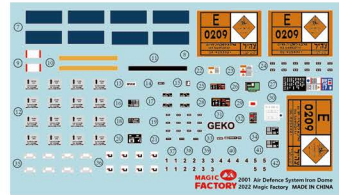
板件B x2
Parts B x2



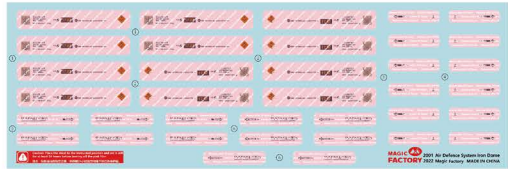
板件D x1
Parts D x1



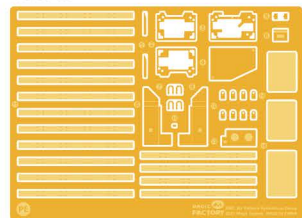
板件A x4
Parts A x4



水贴 x1
Decal x1



揭膜水贴 x1
Film-free Decal x1



蚀刻片 x1
PE x1



金属管A x4
Metal Tube A x4



金属管B x2
Metal Tube B x2

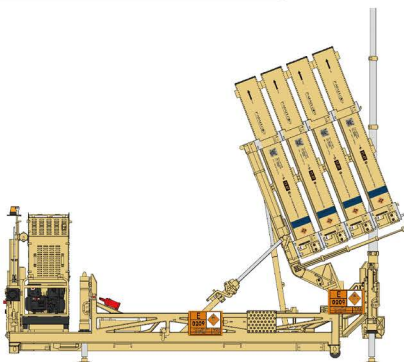


金属管C x2
Metal Tube C x2

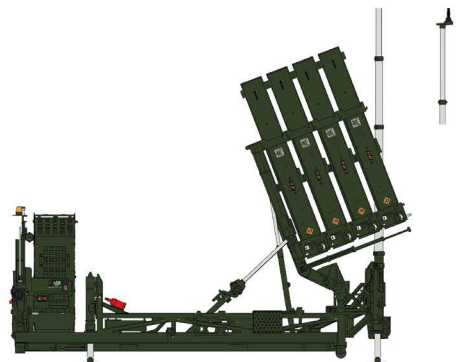


线缆 x1
Wire x1

涂装样式选择 Painting Schemes



以军型
IDF Version

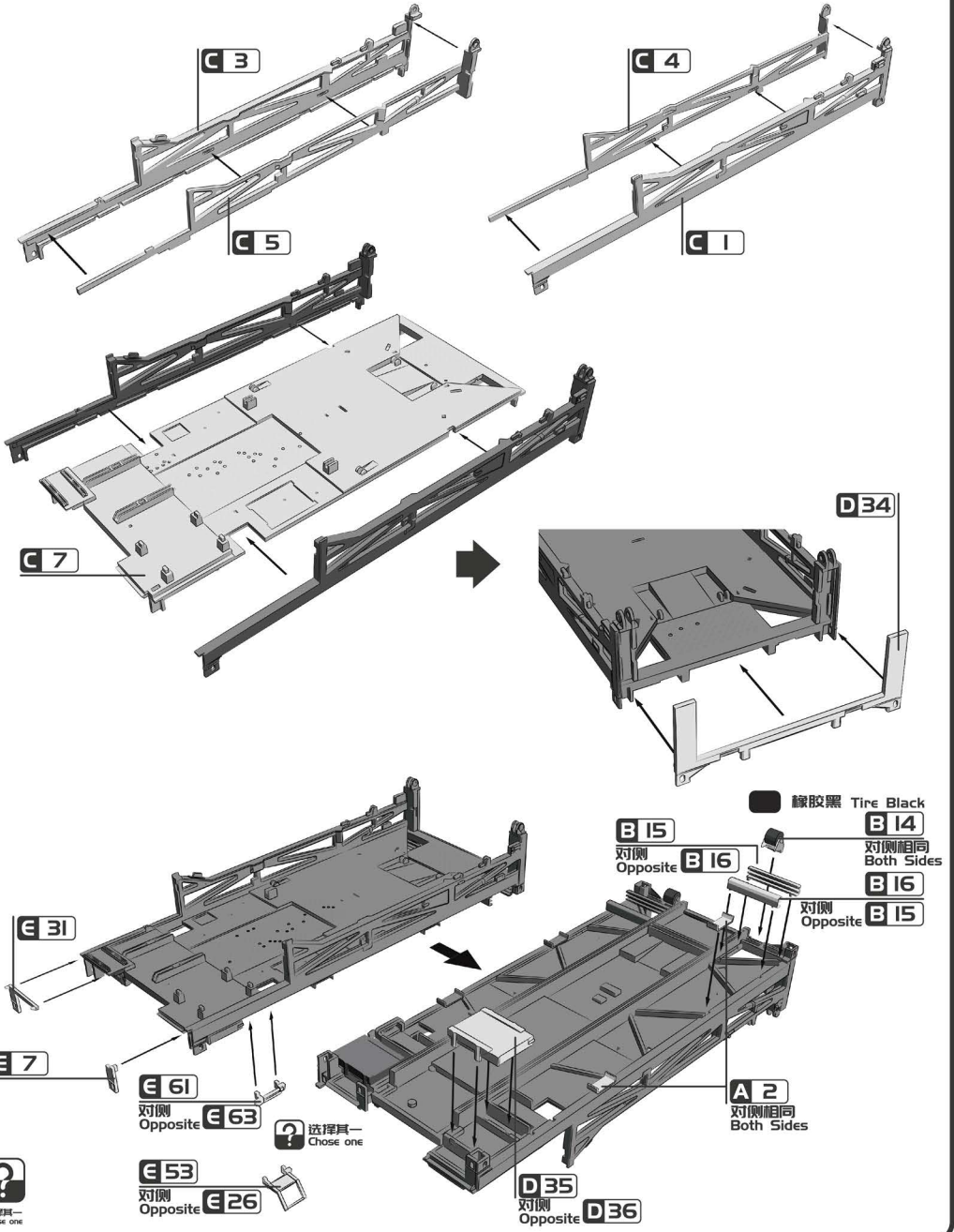


美军型
US Army Version

I.

发射平台安装

Launch Platform Base Assembly

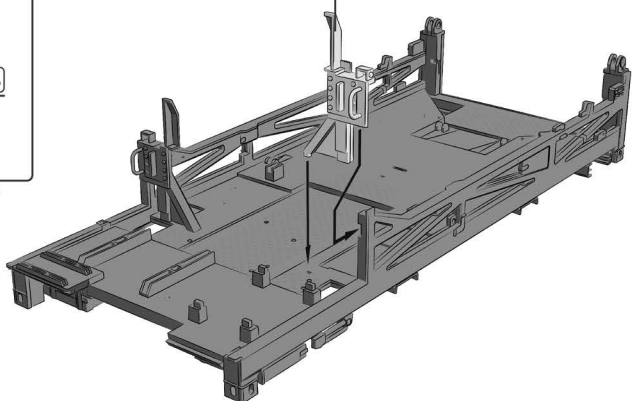
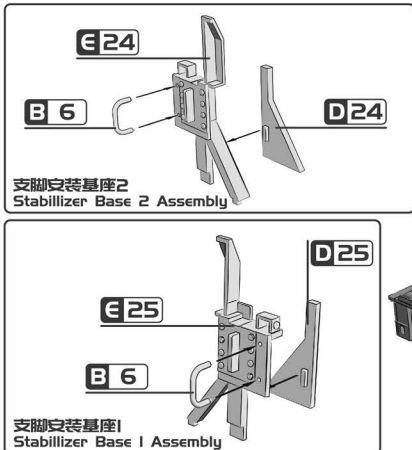


2.

结构梁安装 I

Beam Assembly I

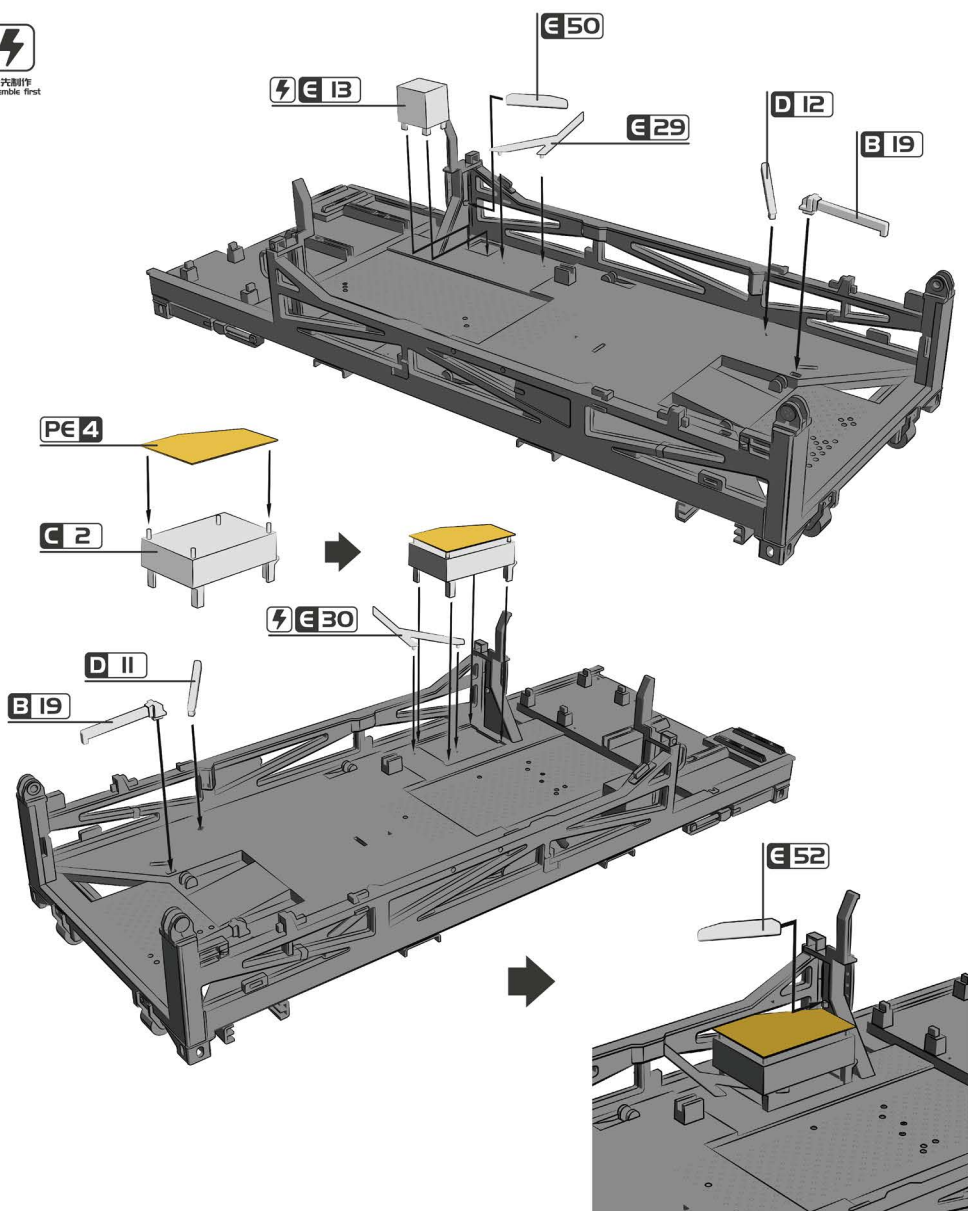
支脚安装基座 I
对侧支脚安装基座 2
Stabilizer Base I Assembly
Stabilizer Base 2 Assembly in Opposite



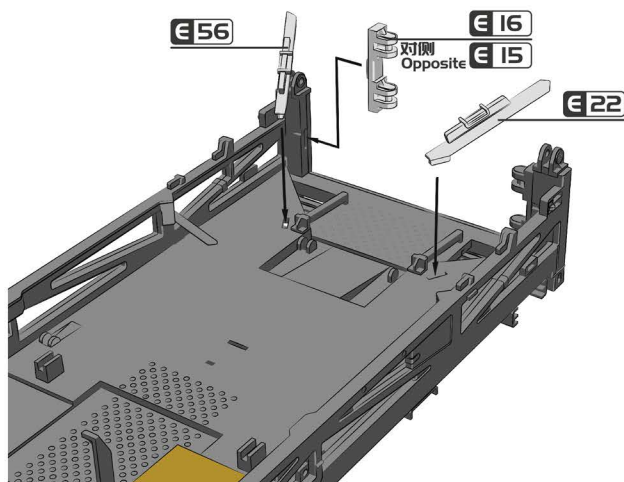
3. 结构梁安装2 Beam Assembly 2



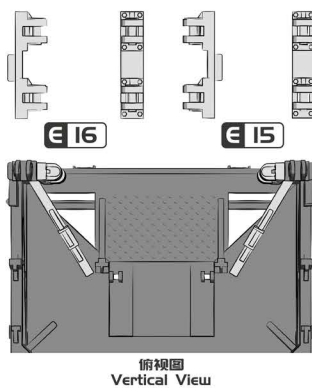
优先制作
Assemble first



4. 结构梁安装3 Beam Assembly 3



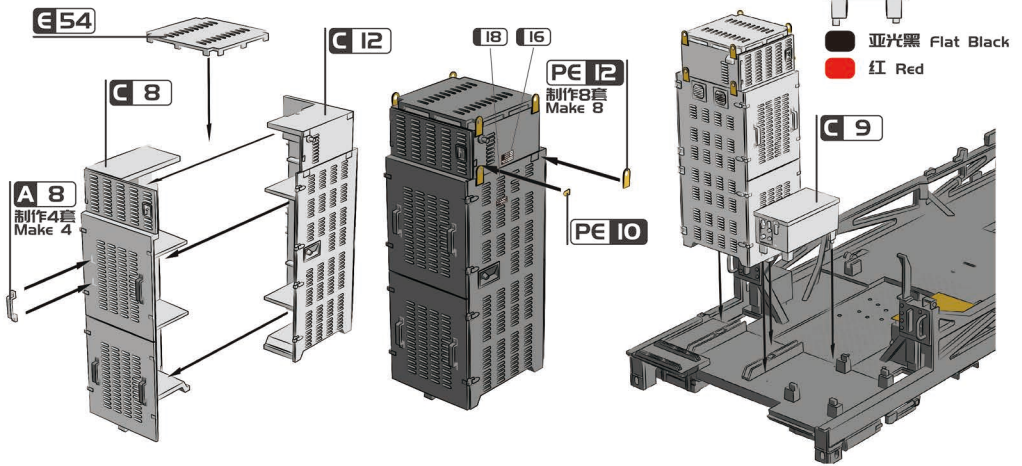
*注意零件安装方向与位置
*Note Part Direction And Position



5.

控制台安装 I

Control Unit Assembly I

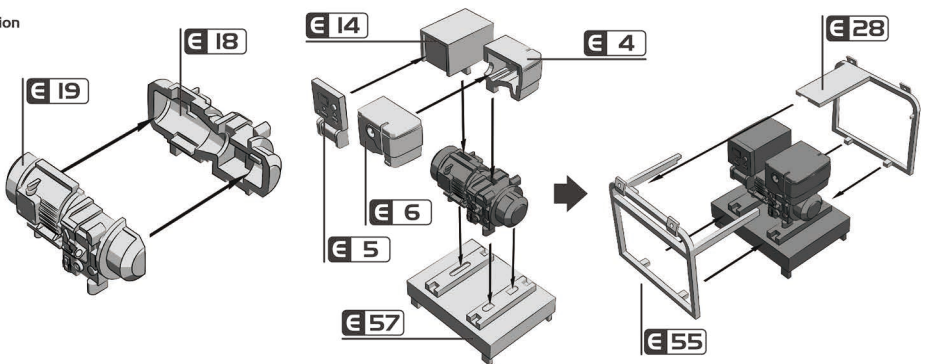


6.

电源安装

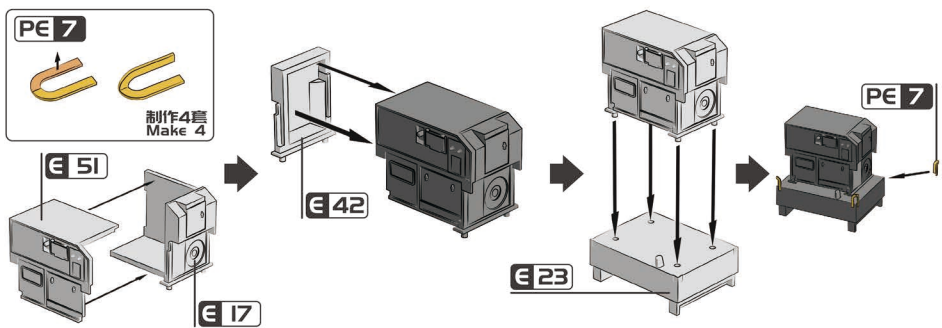
Power Supply Module Assembly

以军型
IDF Version

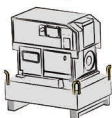


选择其一
Choose one

美军型
US Army Version

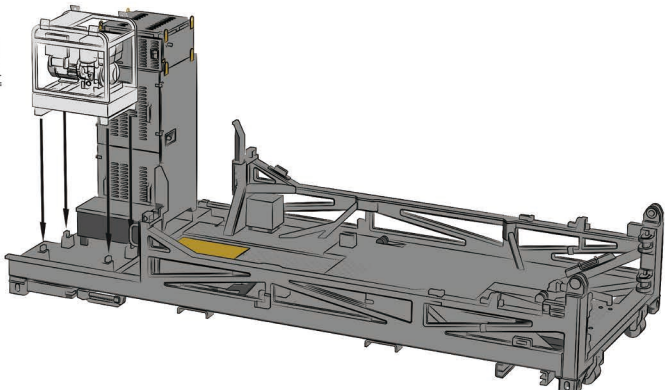


美军型
US Army Version



选择其一
Choose one

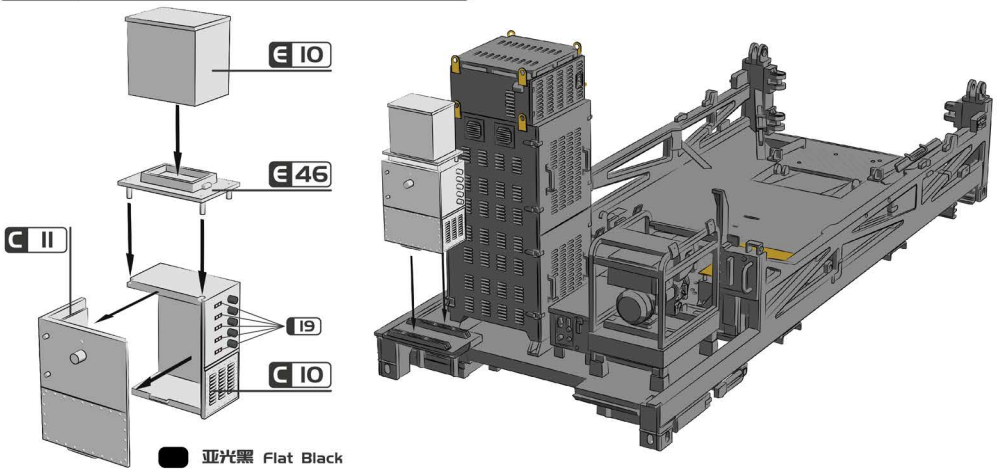
以军型
IDF Version



7.

控制台安装2

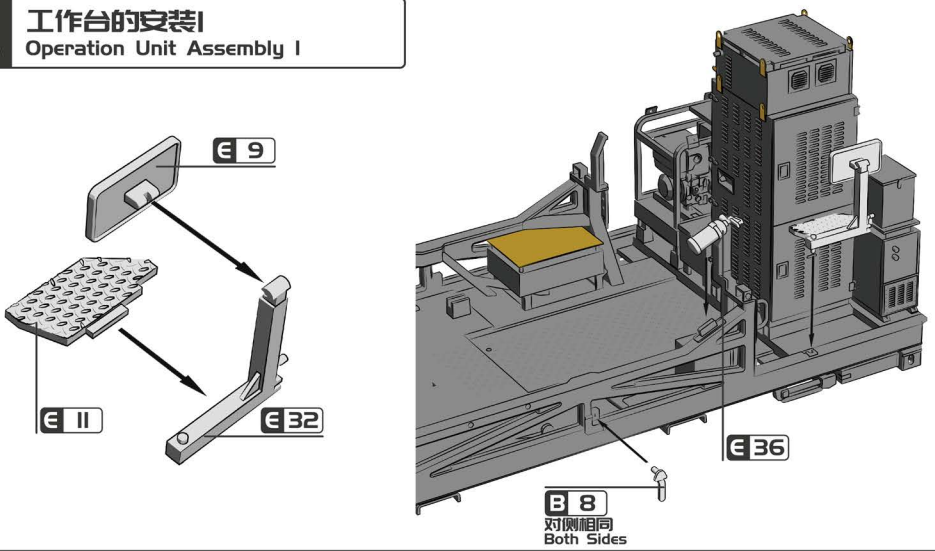
Control Unit Assembly 2



8.

工作台的安装

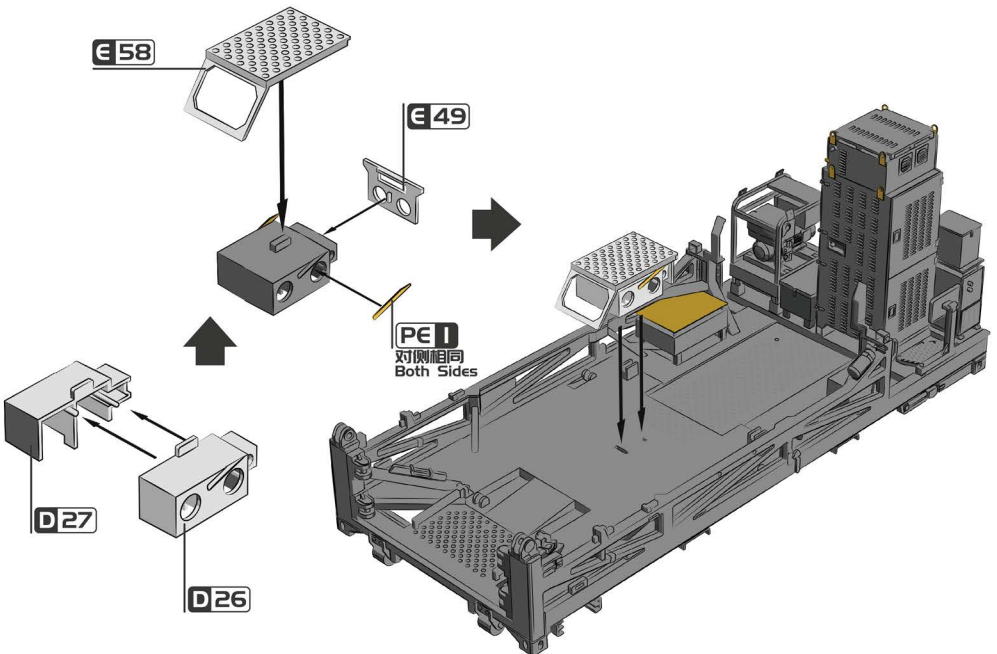
Operation Unit Assembly 1



9.

工作台安装2

Operation Unit Assembly 2



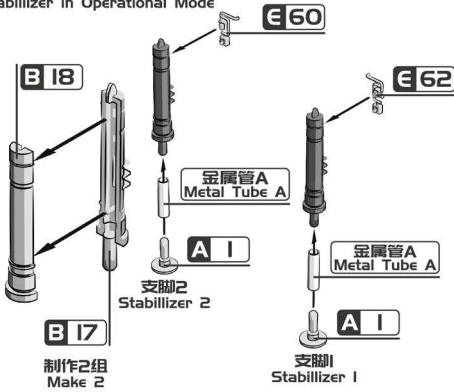
10.

支脚安装 I

Stabilizer Assembly I

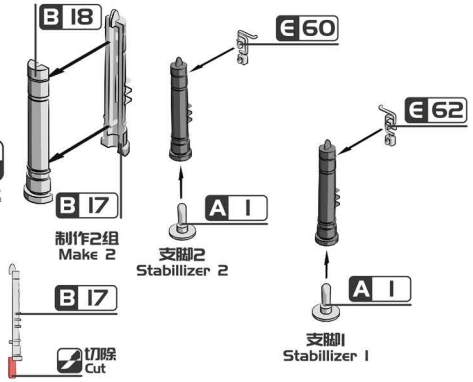
*支脚展开状态

*Stabilizer in Operational Mode

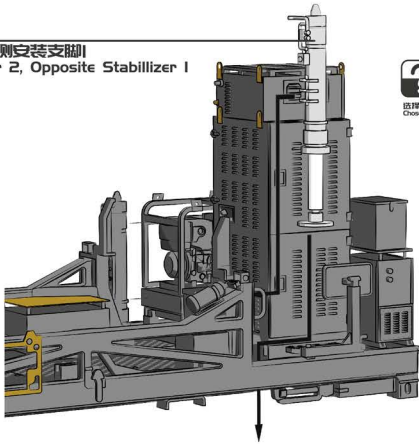


*支脚收纳状态

*Stabilizer in Transportation Mode



支脚2, 对侧安装支脚1
Stabilizer 2, Opposite Stabilizer 1



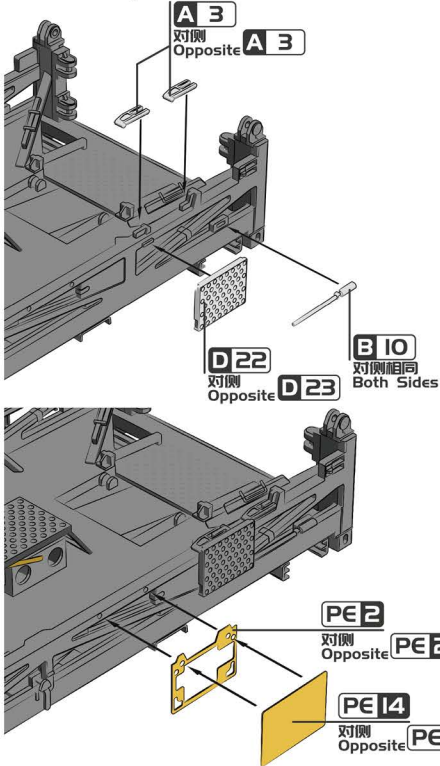
11.

工作台安装3

Operation Unit Assembly 3

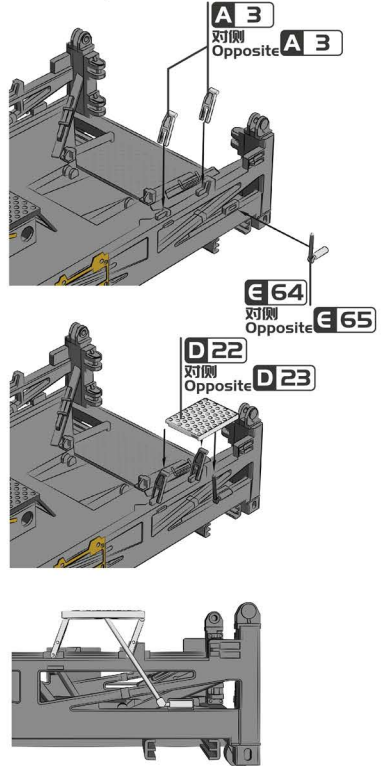
*工作台收纳状态

*Operation Unit in Transportation Mode



*工作台展开状态

*Operation Unit in Operational Mode



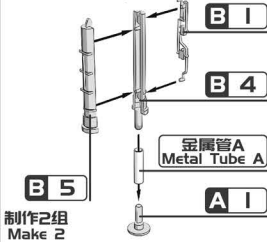
12.

支脚安装2

Stabilizer Assembly 2

*支脚展开状态

*Stabilizer in Operational Mode



制作2组

Make 2

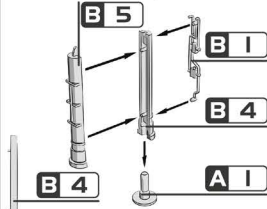


选择其一

Choose one

*支脚收纳状态

*Stabilizer in Transportation Mode



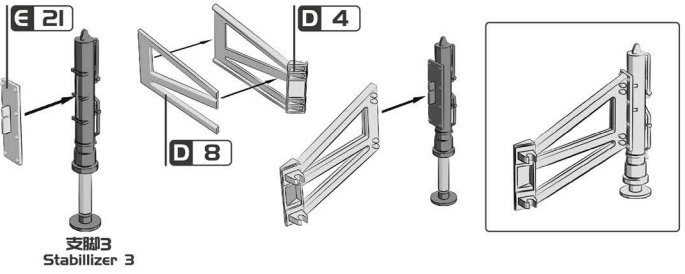
制作2组

Make 2



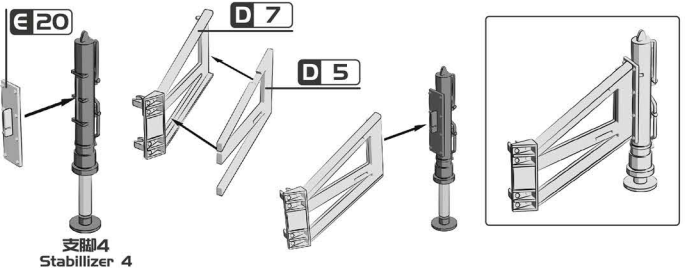
切除

Cut



支脚3

Stabilizer 3

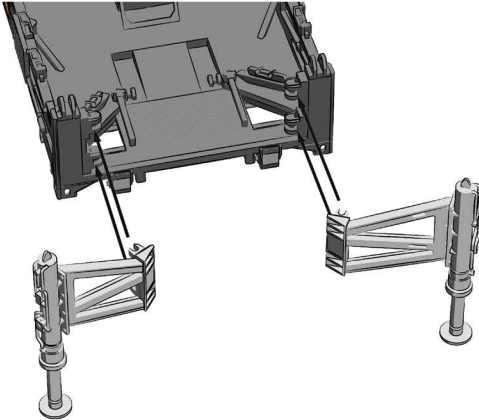


支脚4

Stabilizer 4

*支脚展开状态

*Stabilizer in Operational Mode

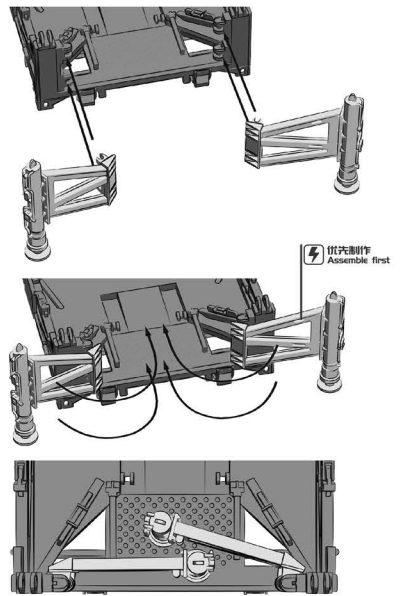


选择其一

Choose one

*支脚收纳状态

*Stabilizer in Transportation Mode



优先制作

Assemble first

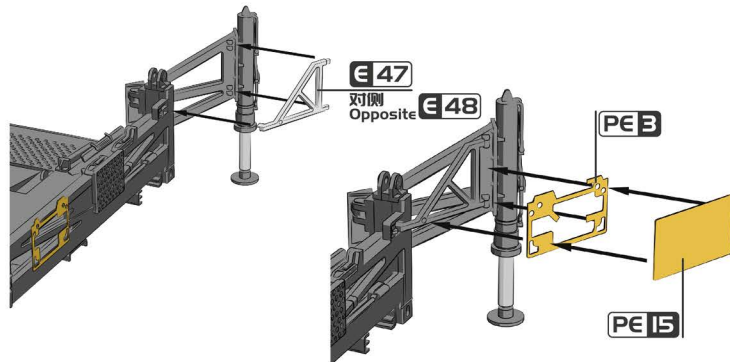
俯视图

Vertical View

13.

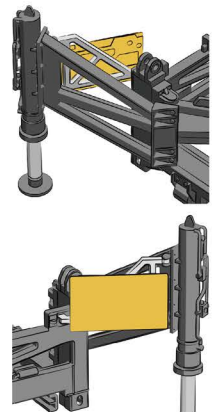
警示牌安装

Warning Board Assembly



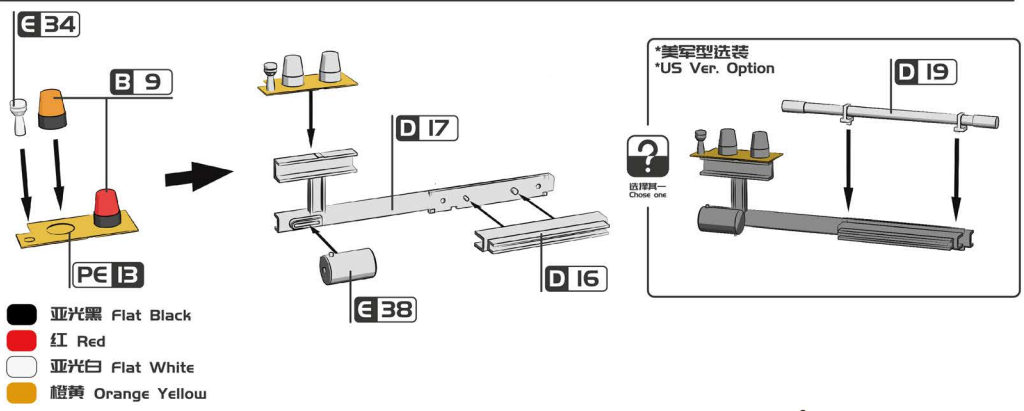
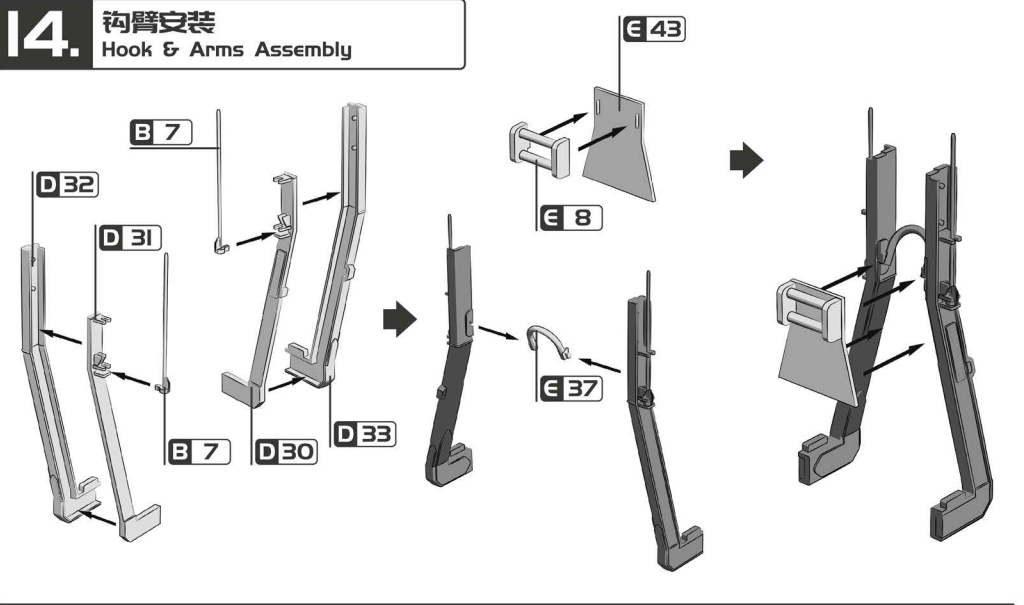
*注意安装位置

*Note Assembly Position

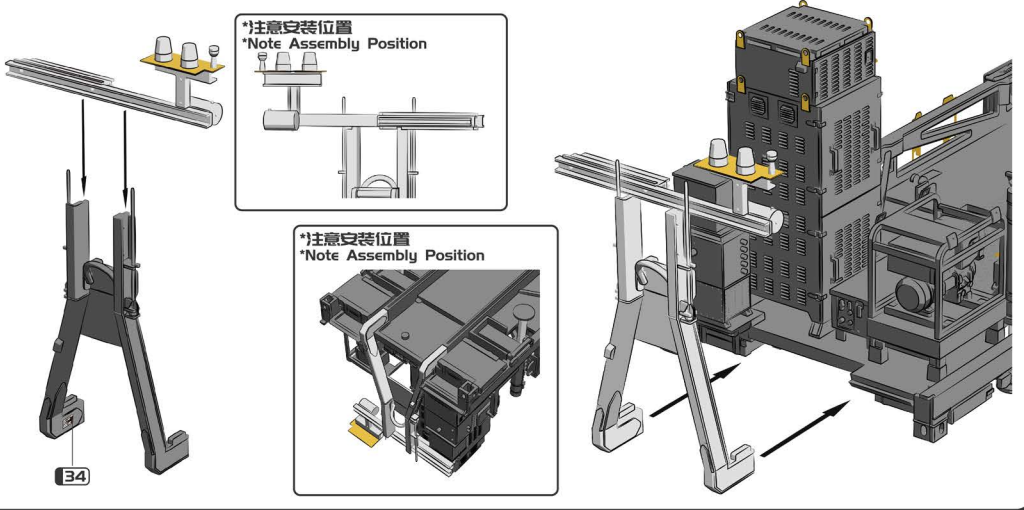


14.

钩臂安装 Hook & Arms Assembly

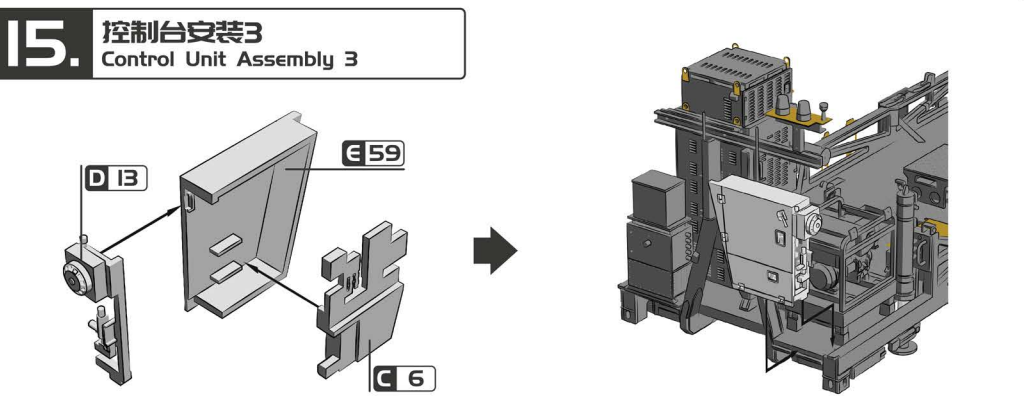


- 亚光黑 Flat Black
- 红 Red
- 亚光白 Flat White
- 橙黄 Orange Yellow



15.

控制台安装3 Control Unit Assembly 3



16.

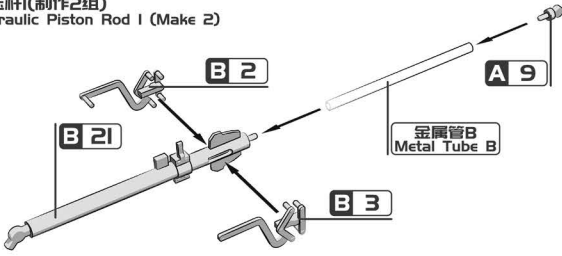
发射架安装

Base of Missile Firing Unit Assembly

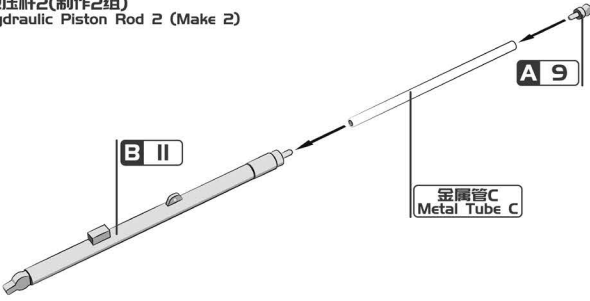


选择其一
Choose one

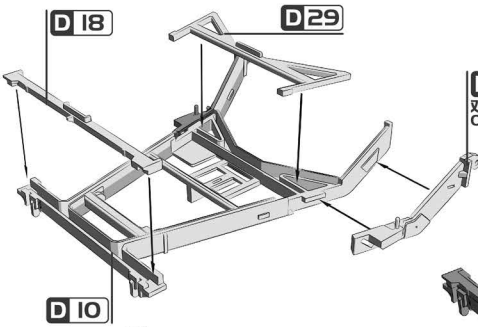
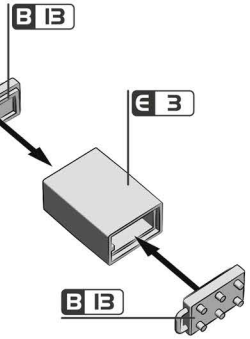
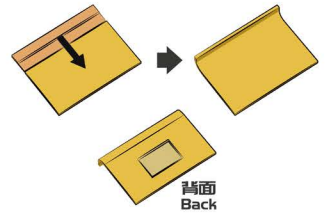
*液压杆1(制作2组)
*Hydraulic Piston Rod 1 (Make 2)



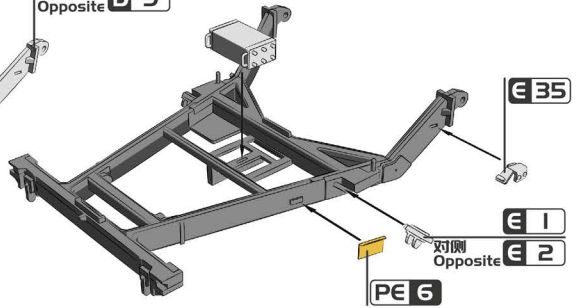
*液压杆2(制作2组)
*Hydraulic Piston Rod 2 (Make 2)



PE 6

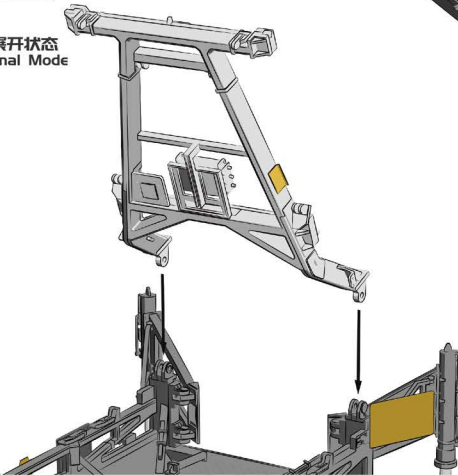


D 6
对侧 Opposite D 9

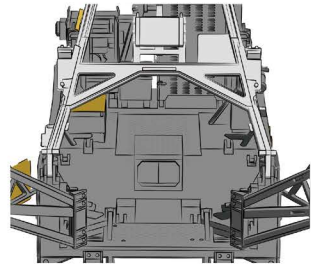


PE 6

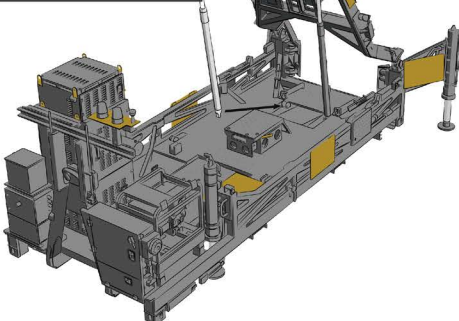
*发射架展开状态
*Operational Mode



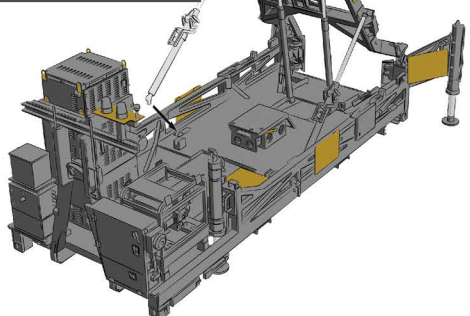
*注意安装位置
*Note Assembly Position



液压杆2
Hydraulic Piston Rod 2



液压杆2
Hydraulic Piston Rod 2



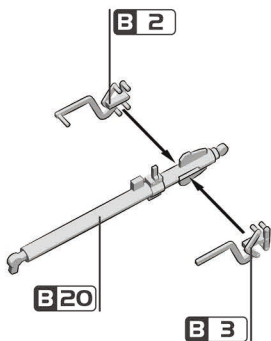
16.

发射架安装 Base of Missile Firing Unit Assembly

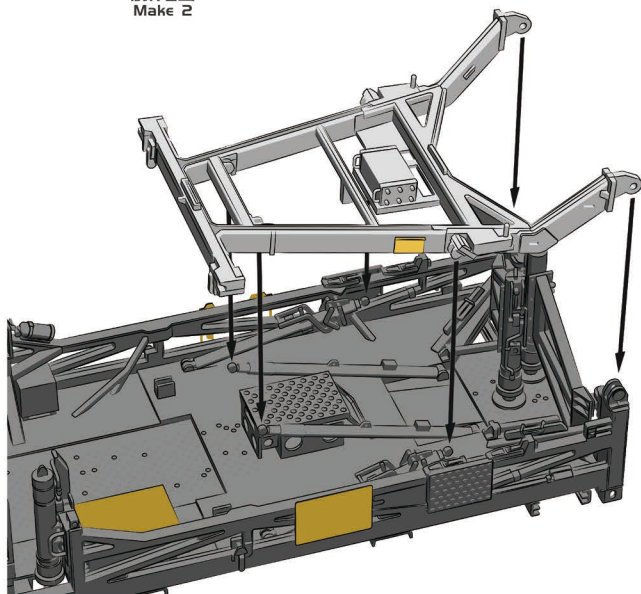
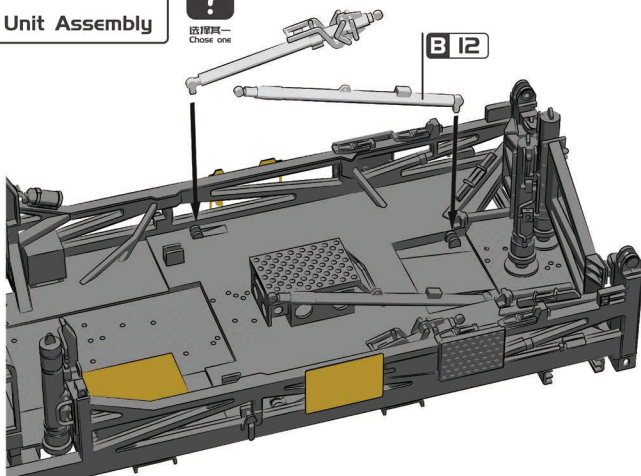
*发射架收纳状态
*Transportation Mode



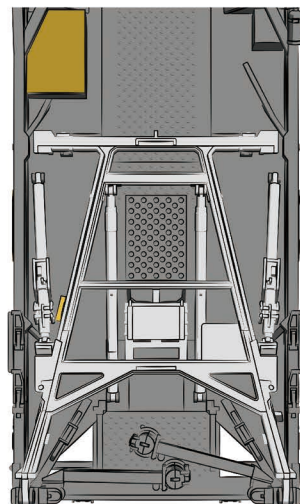
选择其一
Choose one



制作2套
Make 2



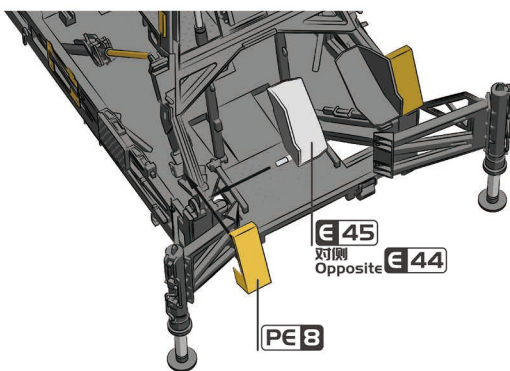
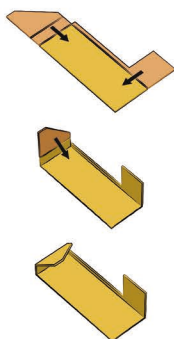
*注意安装位置
*Note Assembly Position



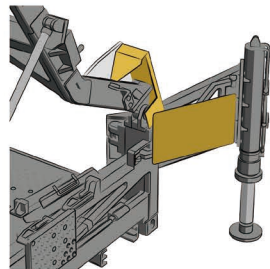
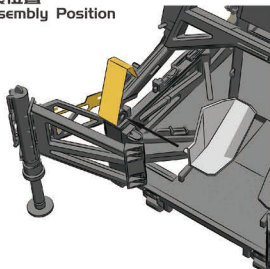
17.

导流板安装 Blast Screen Assembly

PE 8 对侧 Opposite PE 9



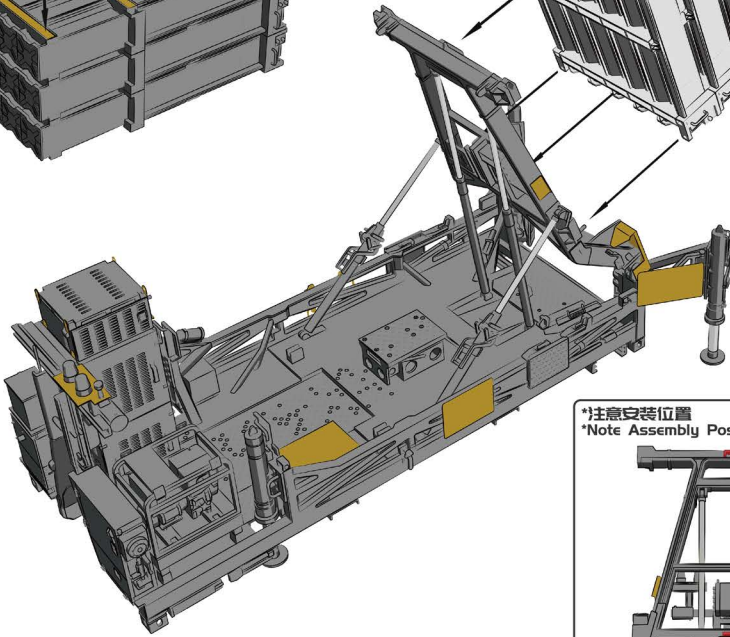
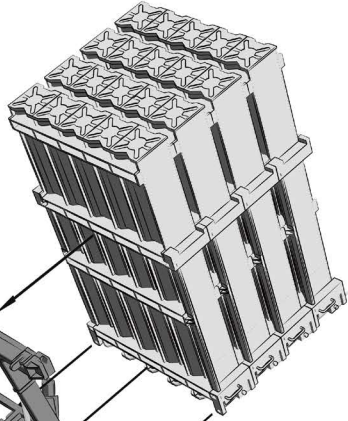
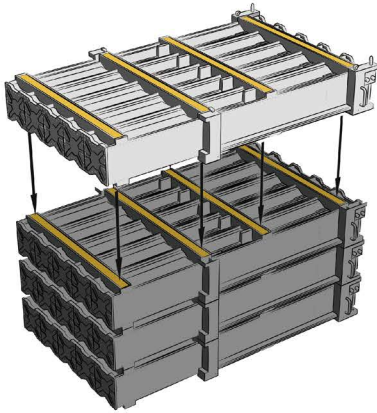
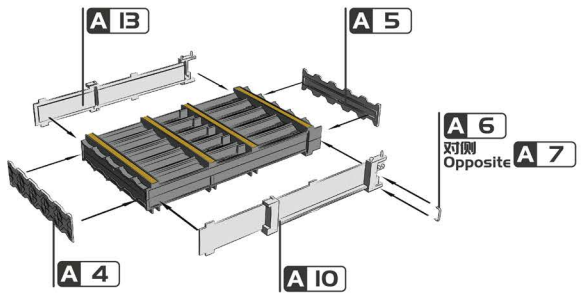
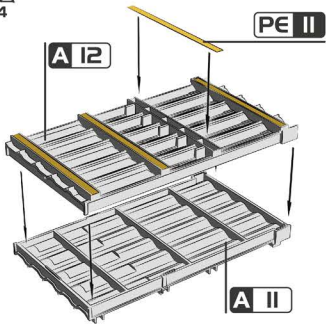
*注意安装位置
*Note Assembly Position



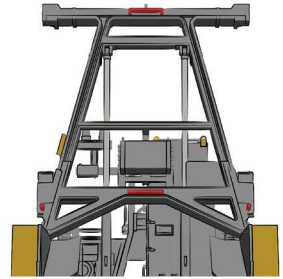
18.

发射单元安装 Missile Firing Unit Assembly

*制作4套
*Make 4



*注意安装位置
*Note Assembly Position

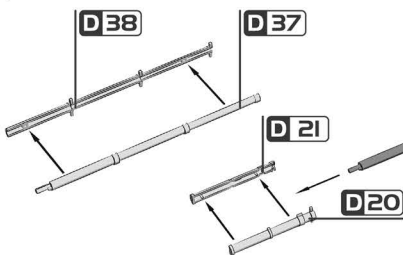


19.

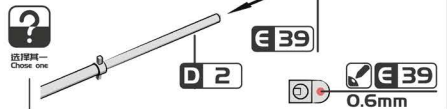
指令接收天线安装 Datalink Antenna Assembly



*展开状态
*Operational Mode



*美军型选装
*US Ver. Option



19.

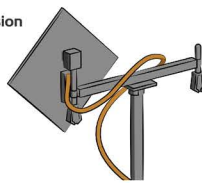
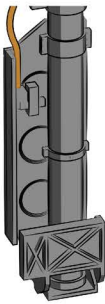
指令接收天线安装

Datalink Antenna Assembly

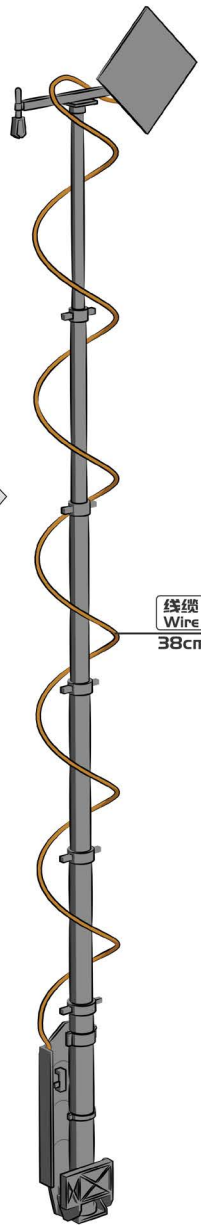
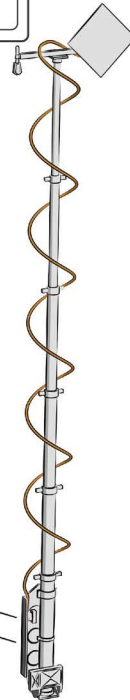
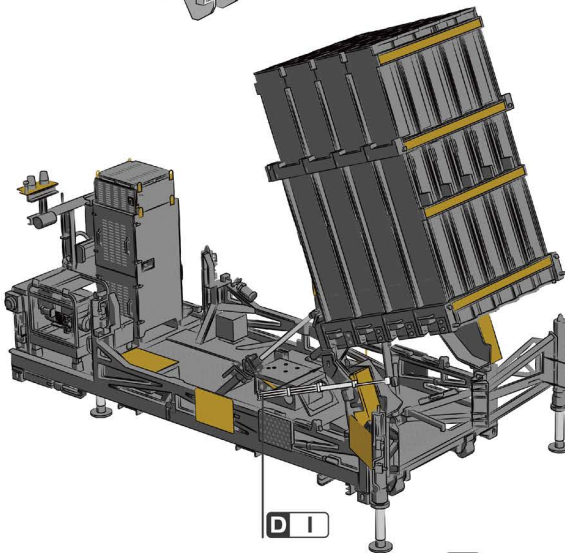
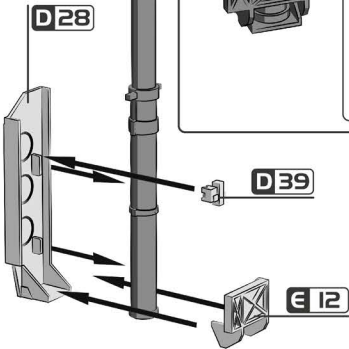
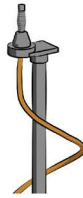
*展开状态
*Operational Mode

*注意绕线安装位置
*Note Wire Assembly Position

以军型
IDF Version

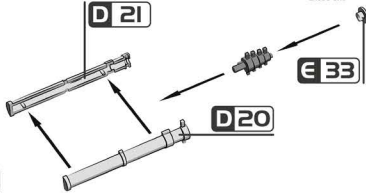
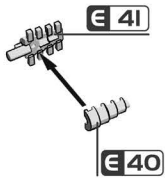


美军型
US Army Version



*收纳状态
*Transportation Mode

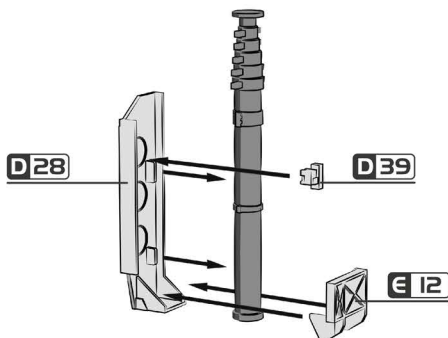
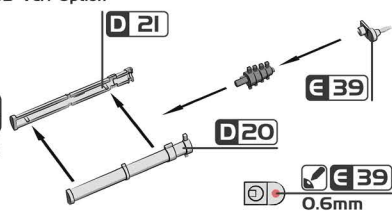
?
选择其一
Choose one



E33

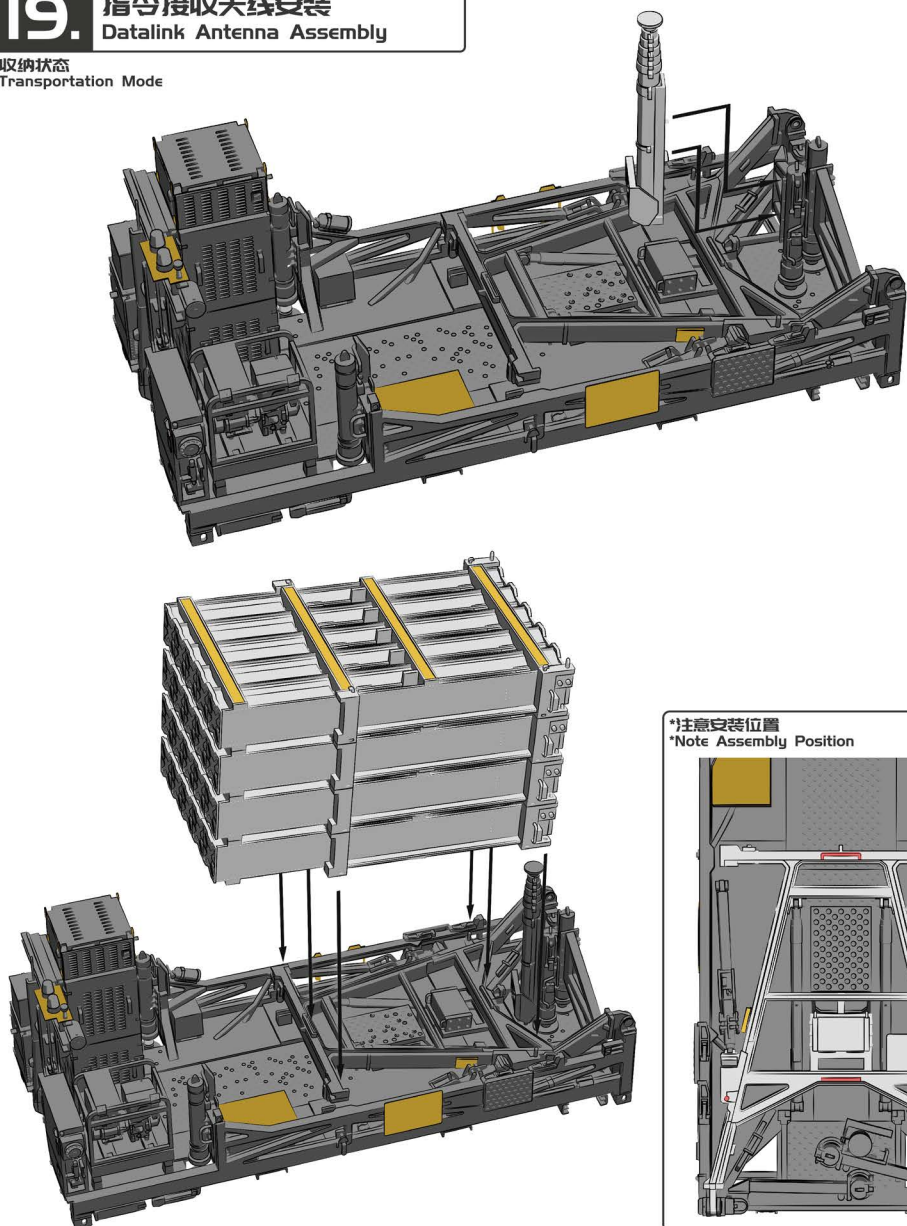
*美军型选装
*US Ver. Option

?
选择其一
Choose one

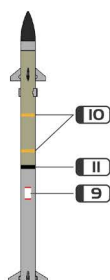
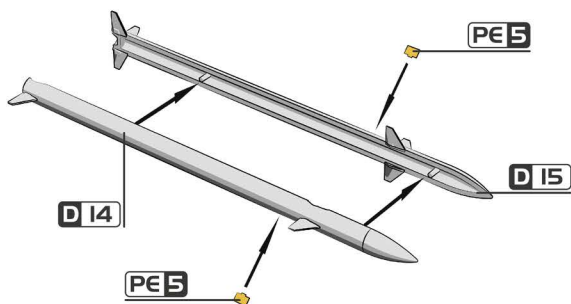


19. 指令接收天线安装 Datalink Antenna Assembly

*收纳状态
*Transportation Mode



20. 拦截弹安装 Interceptor Missile Assembly

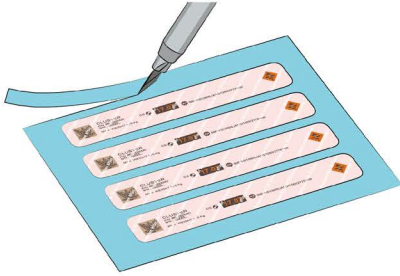


● 亚光黑 Flat Black
● 铜色 Stainless
● 铬银色 Chrome Silver

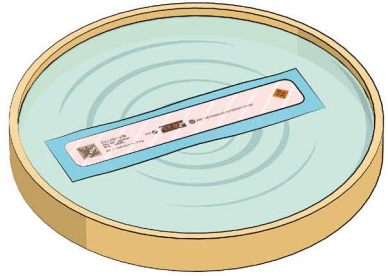
水贴纸使用说明 Decal Application

- 按照说明书提示剪下相应编号的贴纸。
- 将剪下的贴纸浸泡在清水中10秒，并确保全部位置都已经被水湿润。
- 将贴纸从水中取出，并静置30秒左右，直至贴纸可以在蓝色基底上移动。
- 使用湿润的手指或棉签将贴纸从基底上移动到模型的相应位置。
- 使用棉签按压贴纸，去除多余水份。
- Cut the decal from the decal sheet as per instruction.
- Dip the decal in clean water for 10 seconds, ensuring complete decal is infiltrated.
- Pick the decal from the water and set it still for 30 seconds until it's movable on the blue paper.
- Move the decal to the right position of the model with a uet finger or a cotton swab.
- Press the decal with a cotton swab to remove extra water.

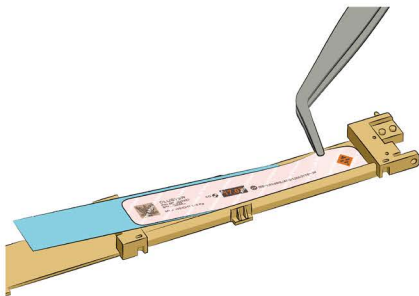
揭膜水贴使用说明 Film-free Decal Application



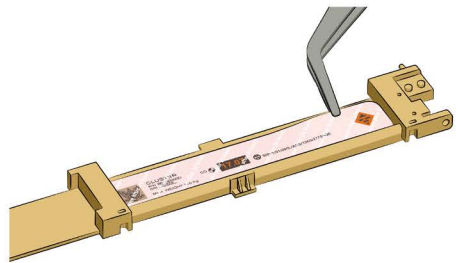
1. 取下需要粘贴的贴纸
Cut the decal from the sheet.



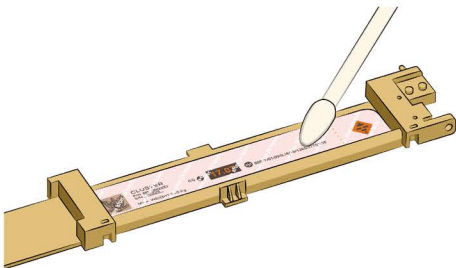
2. 将贴纸用水充分湿润并静置1分钟
Immerse the decal completely in clean water and set it still for 1 min.



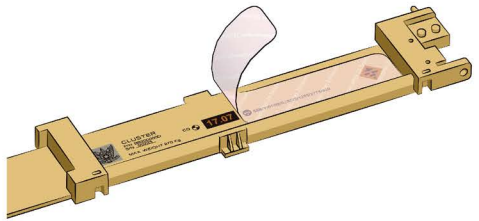
3. 将贴纸从基底上移动到需要粘贴的位置
Move the decal from the paper to the targeted position.



4. 小心调整贴纸位置
Adjust the decal position carefully.



5. 使用湿润的棉签挤出贴纸下的水份，使其与模型表面充分贴合
Remove extra water in the decal with a wet cotton swab and make the decal fully stick to the surface.



6. 24小时后，小心揭去贴纸表面的保护膜
Remove the pink protecting film after 24 hours.

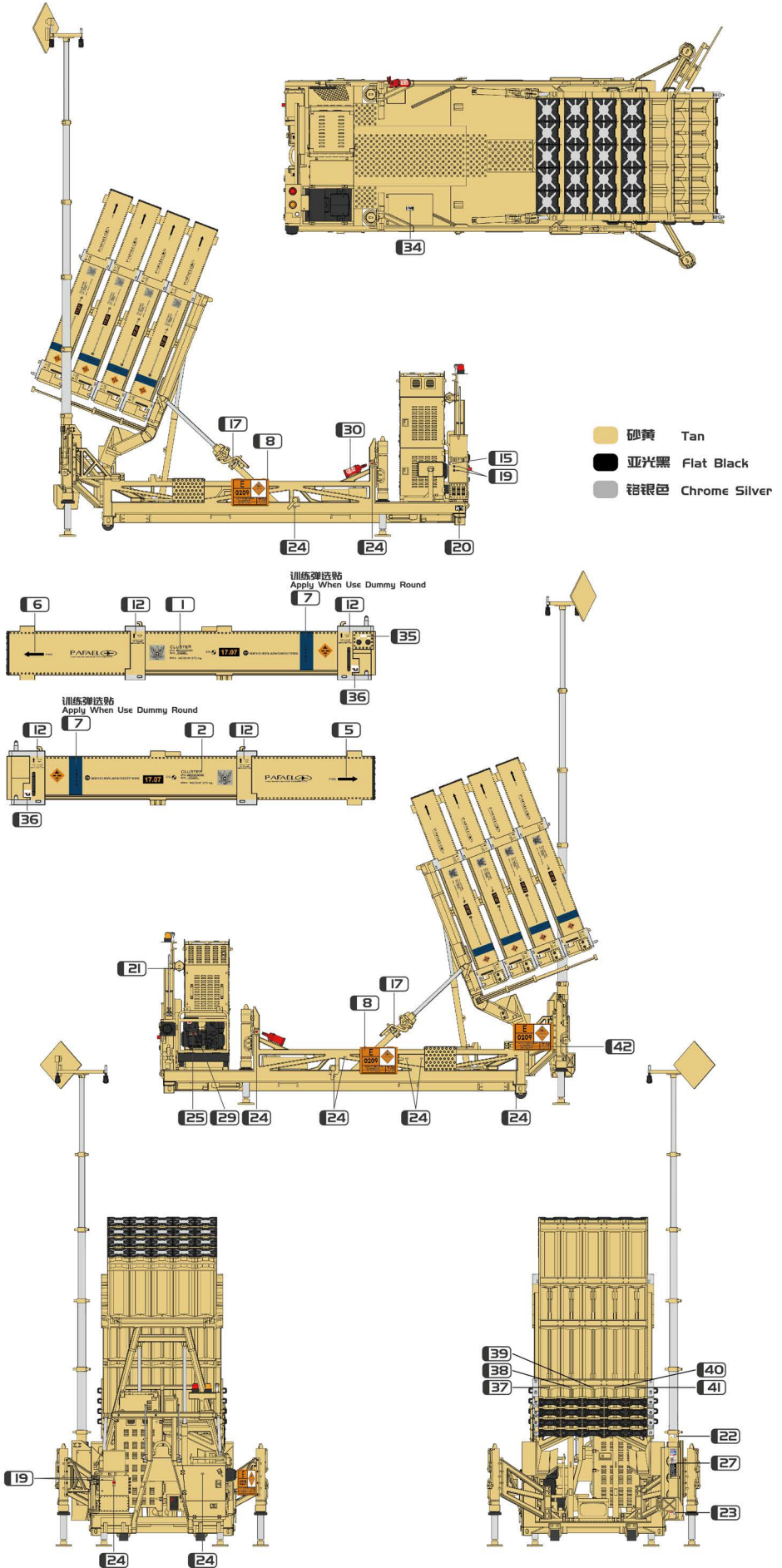
色表

Paint Reference Color

			Humbrol	AK Interactive	Mr.Color
	砂黄	Tan	148	RC079	C44
	亚光黑	Flat Black	33	RC001	C33
	红	Red	60	RC005	C3
	亚光白	Flat White	34	RC004	C62
	橙黄	Orange Yellow	18	RC009	C58
	橡胶黑	Tire Black	91	RC022	C137
	钢色	Stainless	—	RC019	MC213
	镀铬色	Chrome Silver	191	RC020	MC211
	美军绿	Green	117	RC083	C303

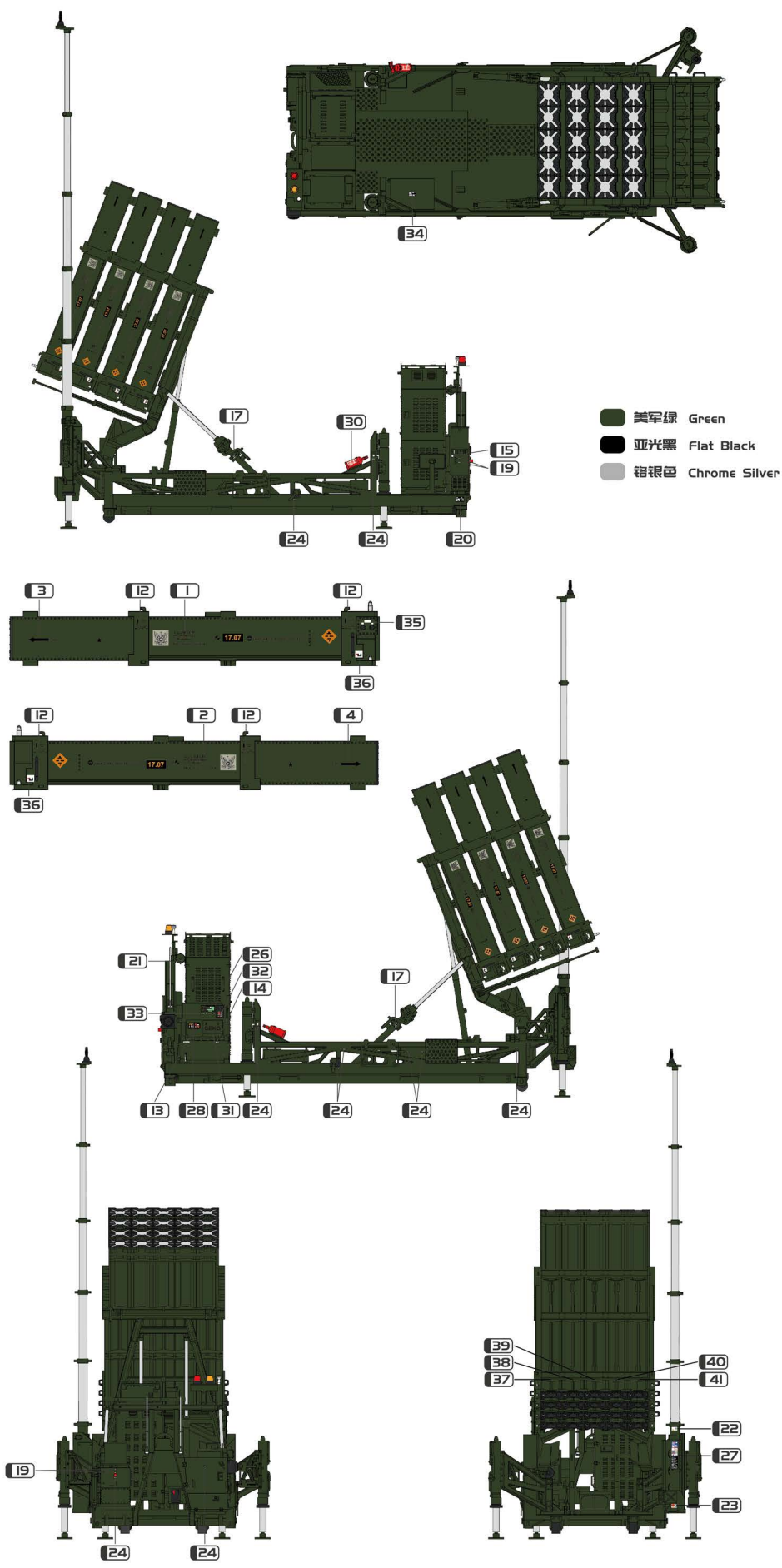
涂装指示
painter

以军型
IDF Version



涂装指示
painter

美军型
US Army Version



MAGIC 
FACTORY



Air Defense System
IRON DOME

1/35
SCALE

2001