

Important Notes

- Read the instructions carefully before starting the assembly.
- Use glue intended for plastic models.
- Choking hazard. Keep small parts and plastic bags away from children.
- Always wear protective eyewear when cutting and a protective mask when painting, glueing and sanding.
- Use paints designed and suitable for plastic model kits.

Symbols Reference

	No Glue		Apply Decal
	Other Side		Option
	Cut/Remove		Drill

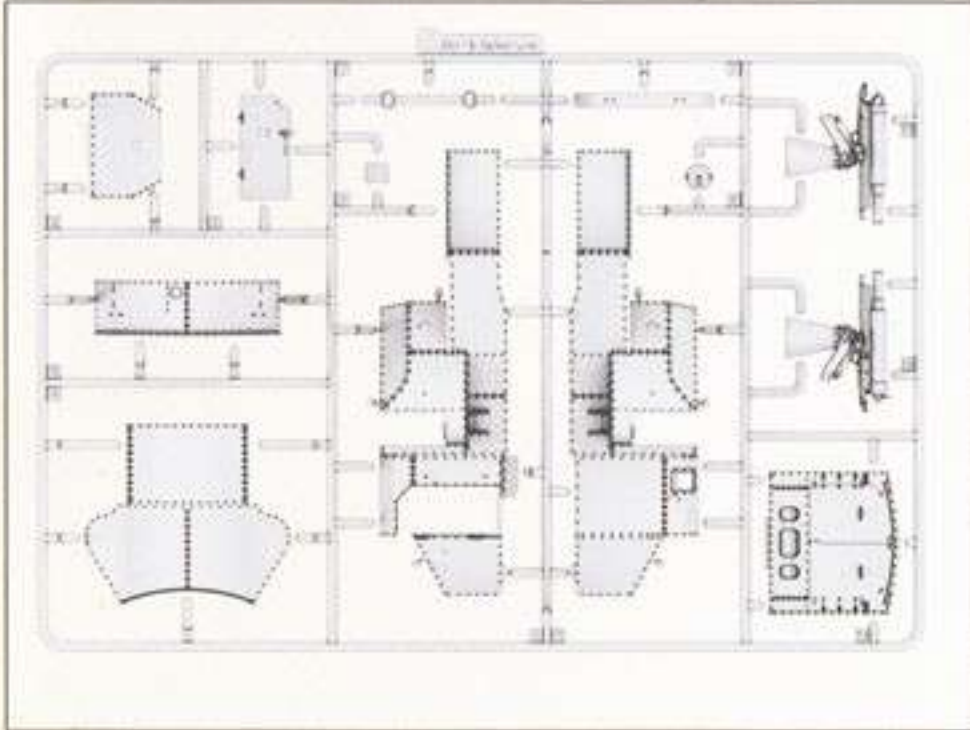


Fig. 1. Runner A

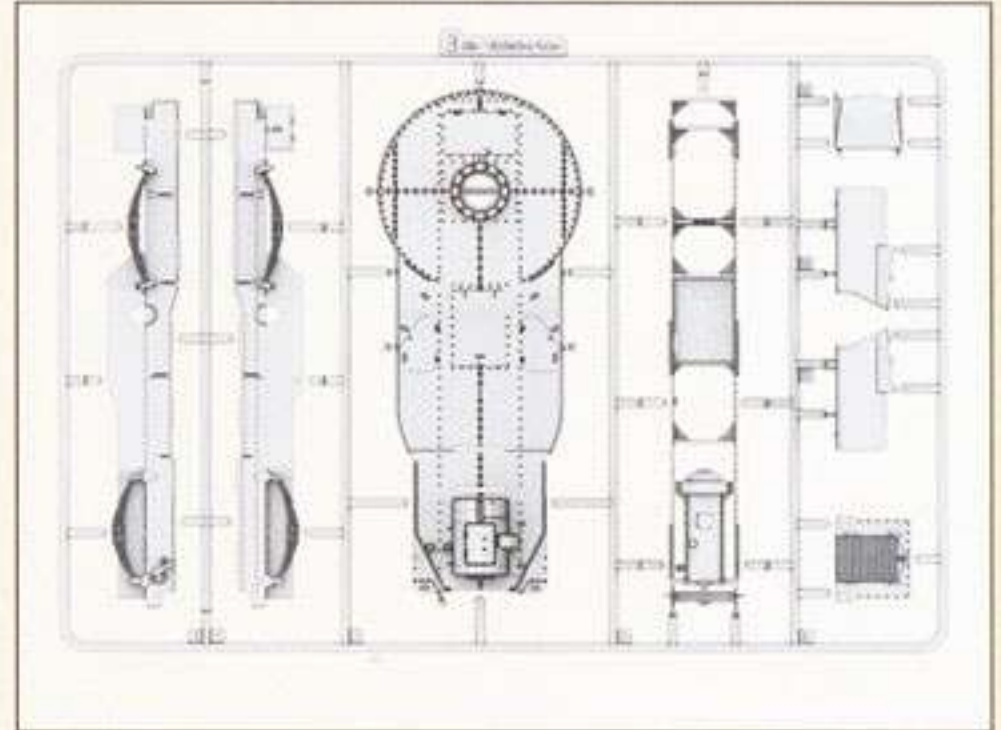


Fig. 2. Runner B

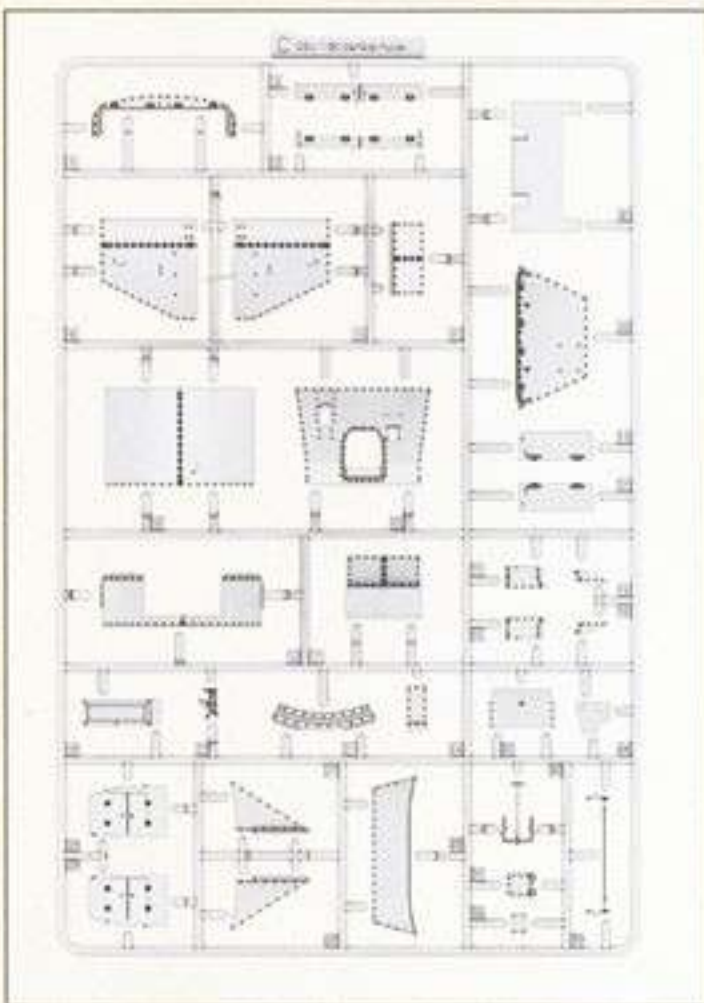


Fig. 3. Runner C

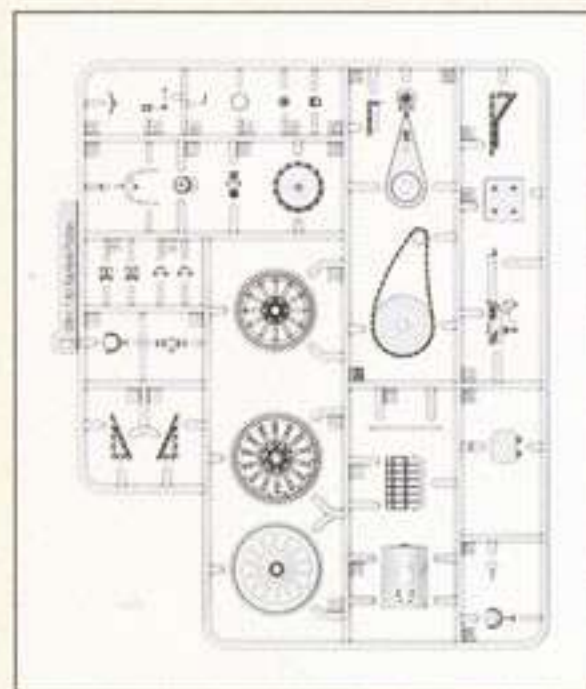


Fig. 4. Runner D, x2

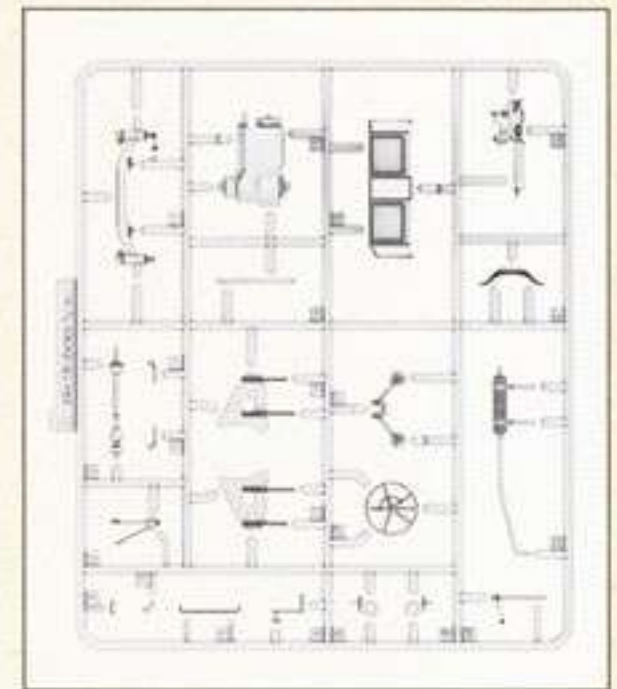


Fig. 5. Runner E

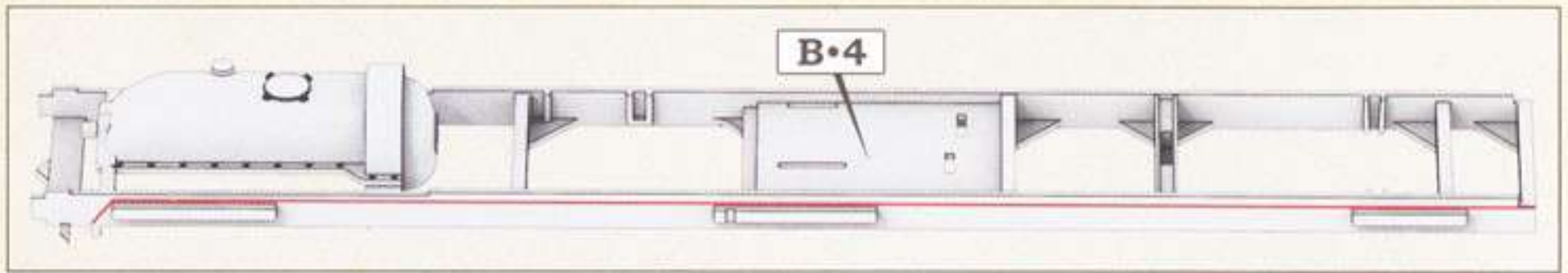


Fig. 6. Runner F

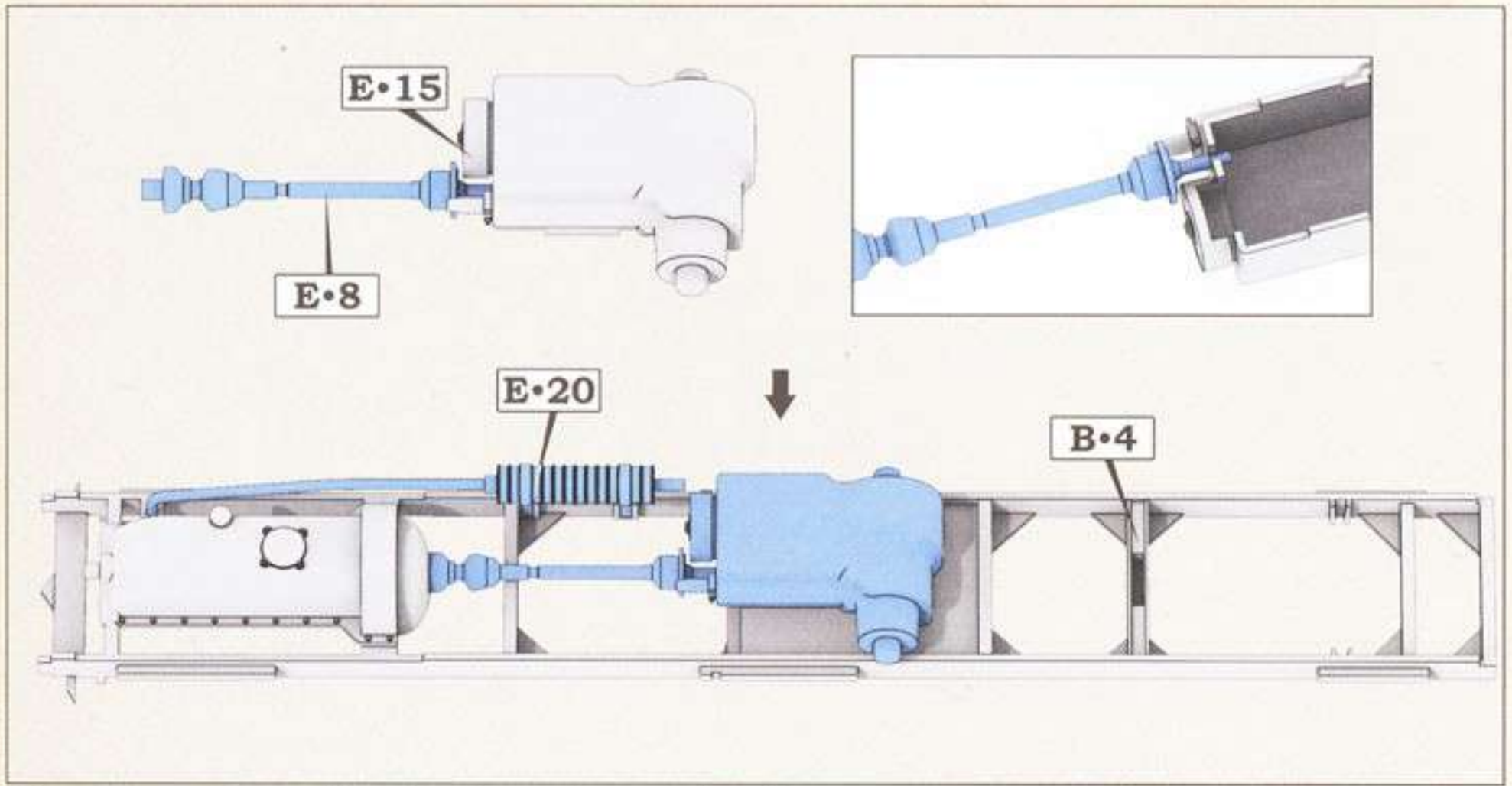


Fig. 7. Runner G, only for Freikorps version, kit number 350014

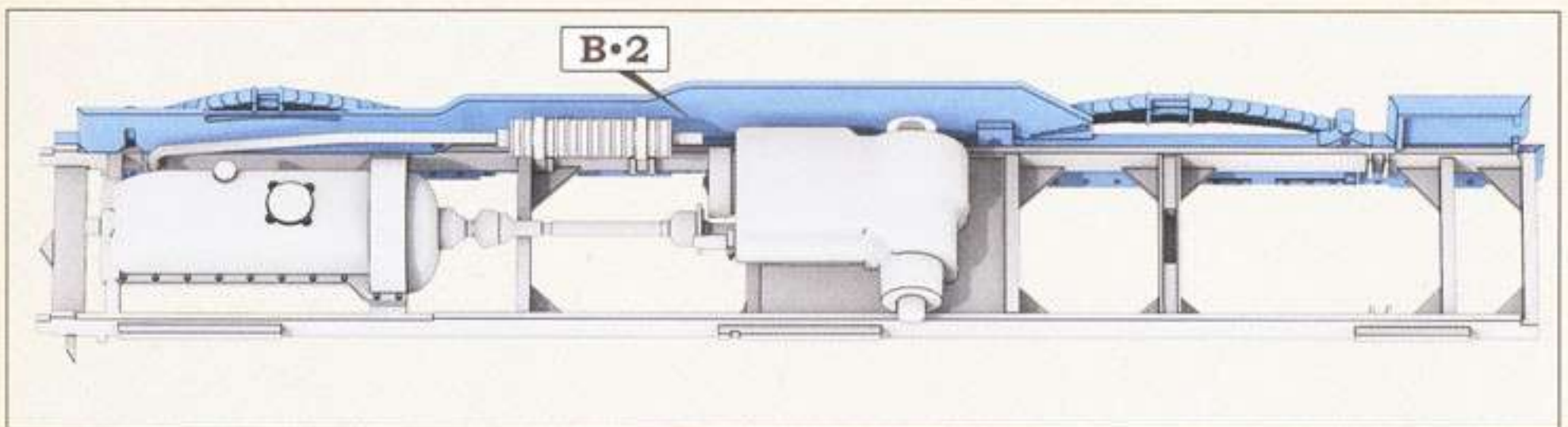
Decals are included with the kit, see additional markings instruction



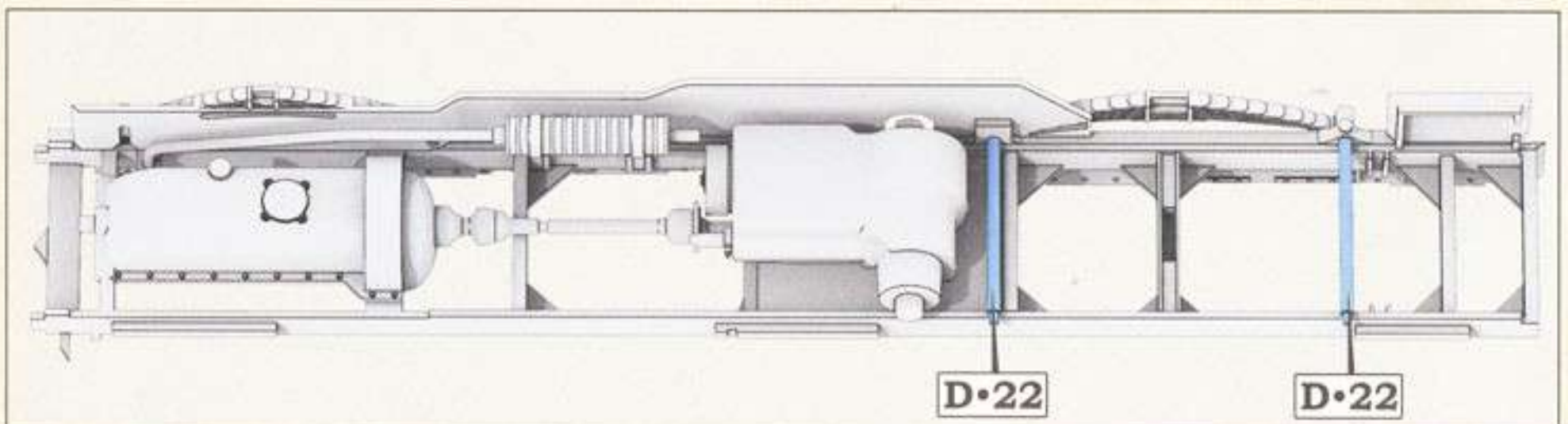
Step 1. Sand down the mould line for better fitting of the side armour plates



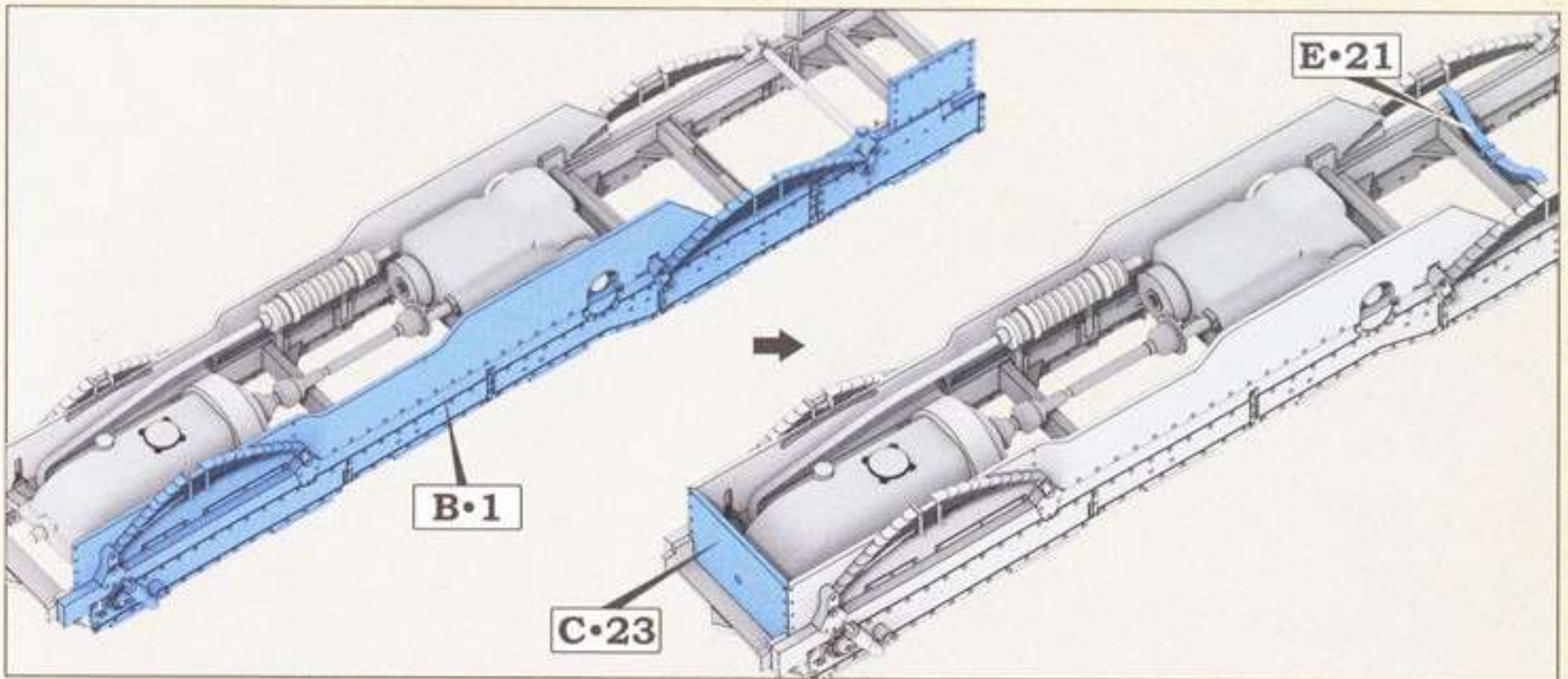
Step 2. Assembling and installing the gearbox and the muffler



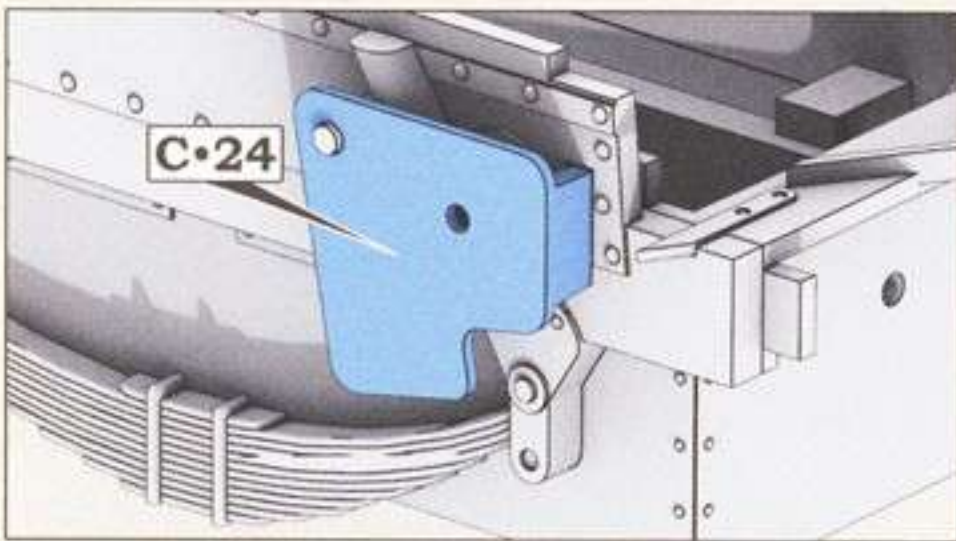
Step 3. Installing the side rails with side armour protection



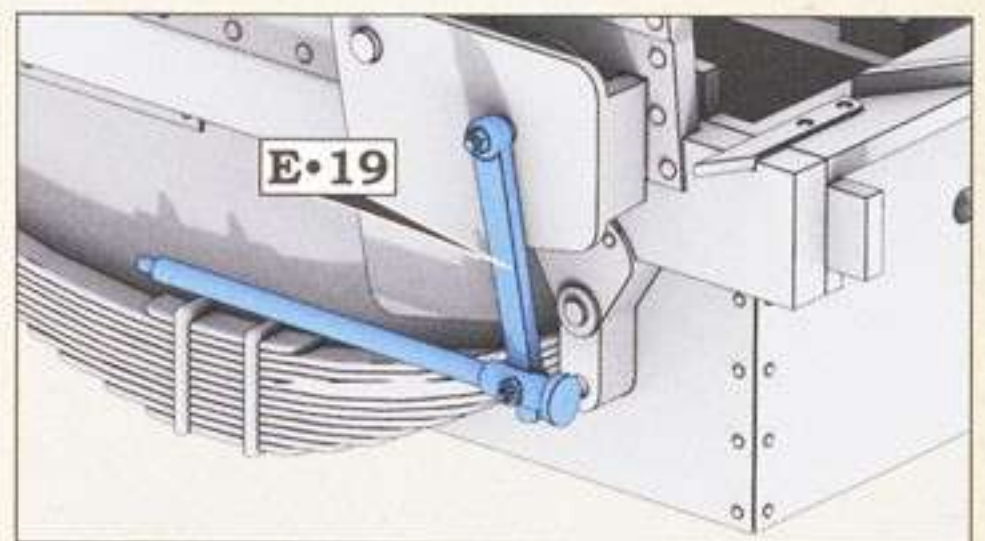
Step 4. Installation of the cross tubes



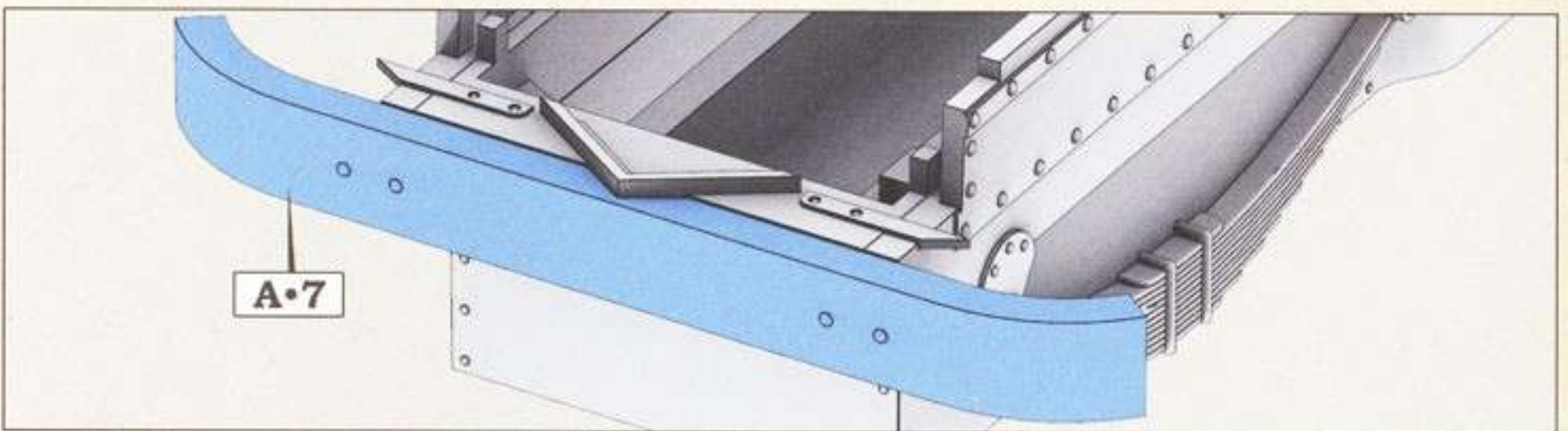
Step 5. Installing the front, side armour protection and the transverse leaf spring



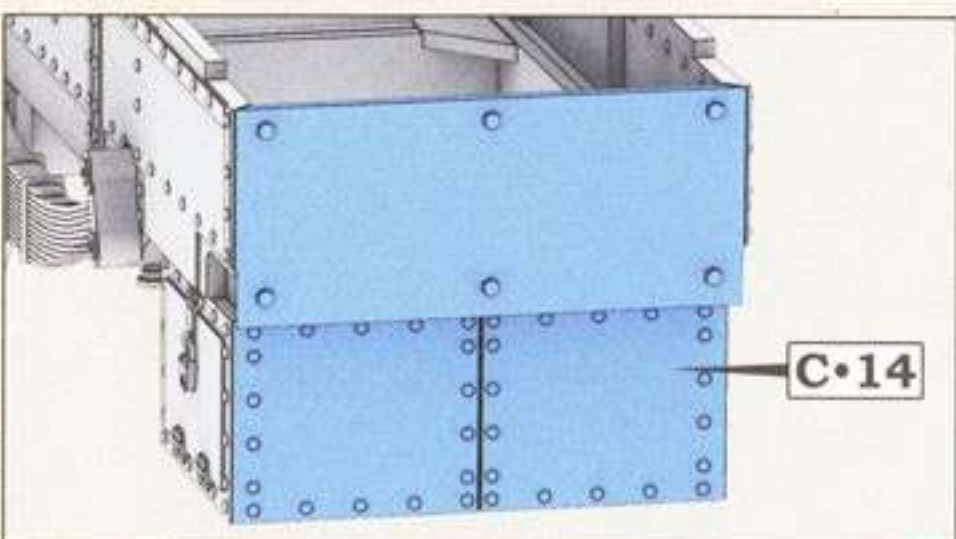
Step 6. Installing the steering box protection



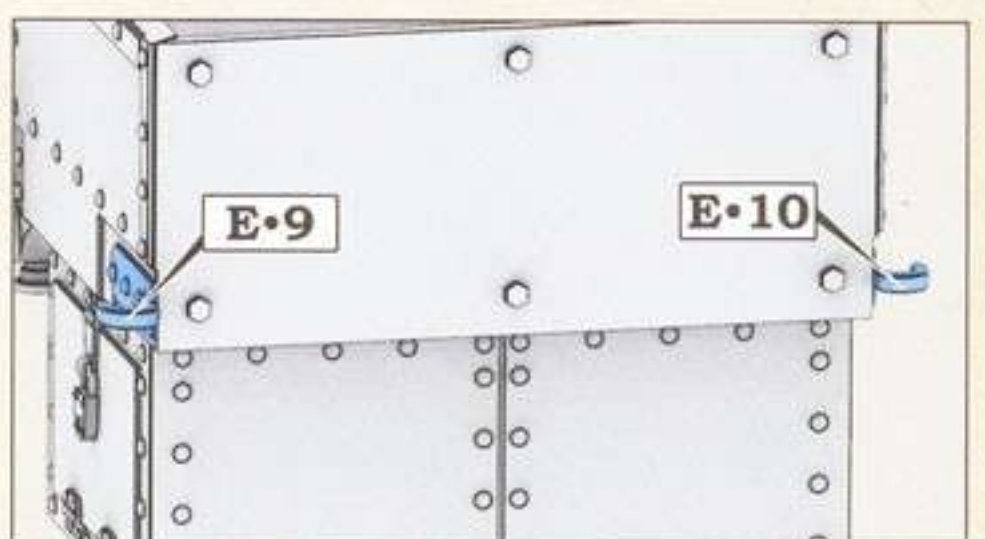
Step 7. Installing the steering drop arm. Check step 19



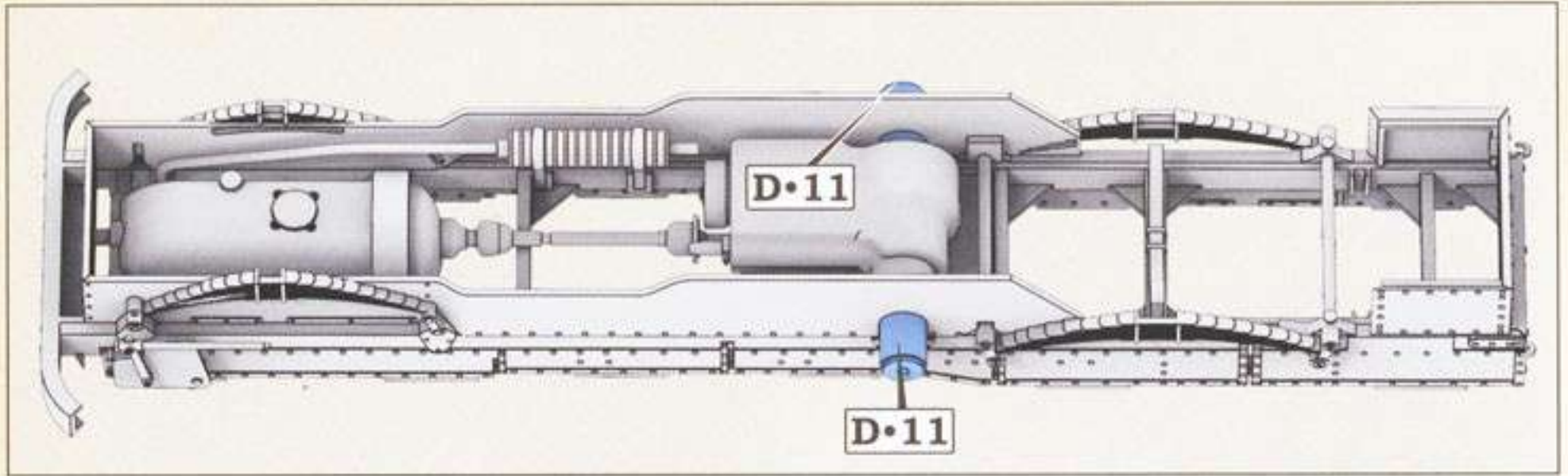
Step 8. Installing the front bumper



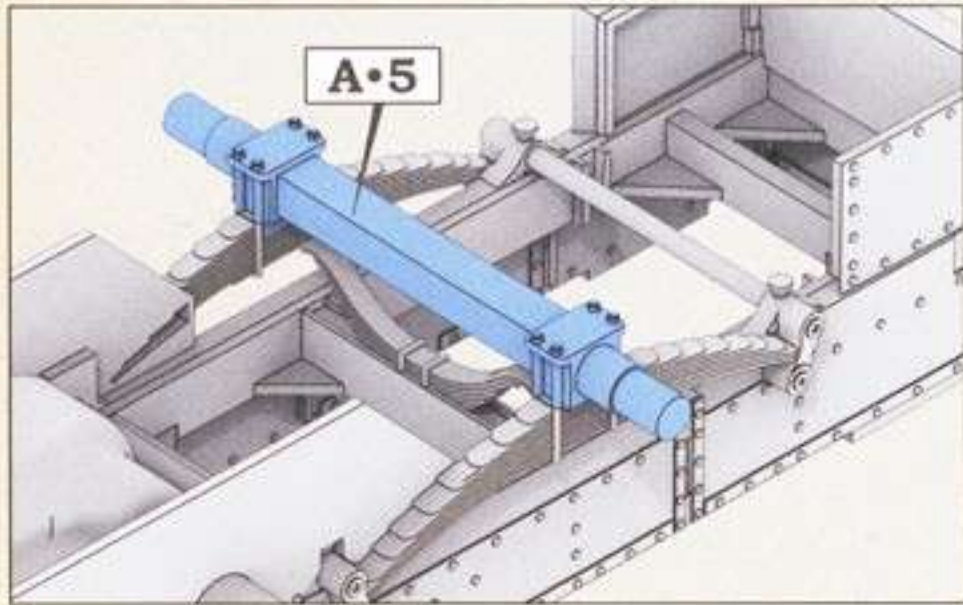
Step 9. Installing the rear armour protection



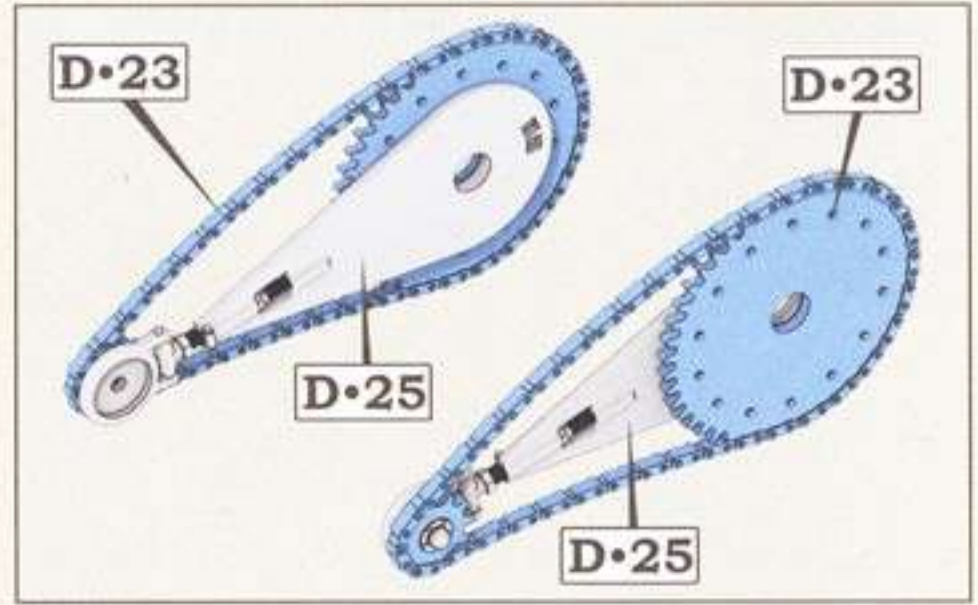
Step 10. Installing the rear tow hooks



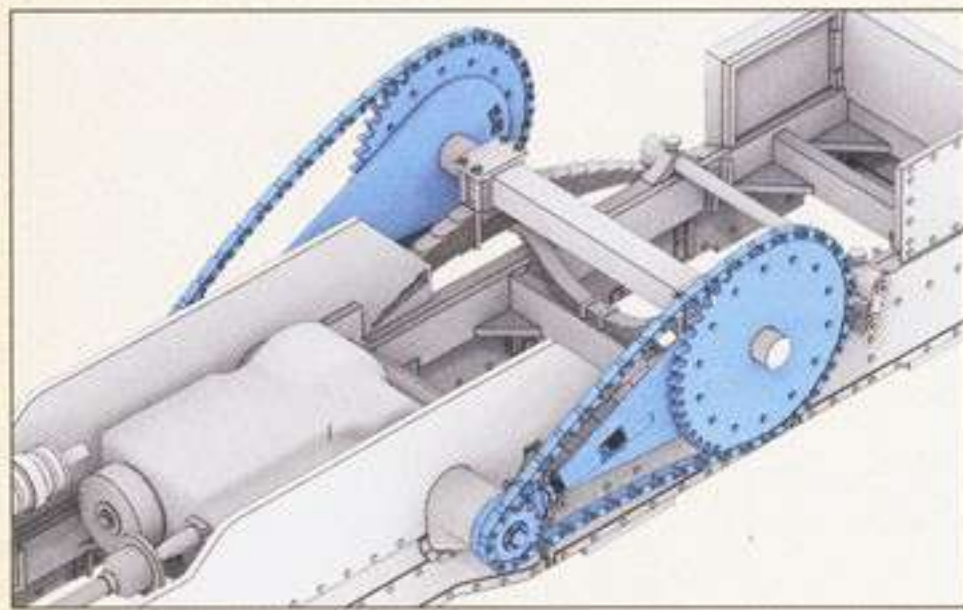
Step 11. Installing the chain drive mounts



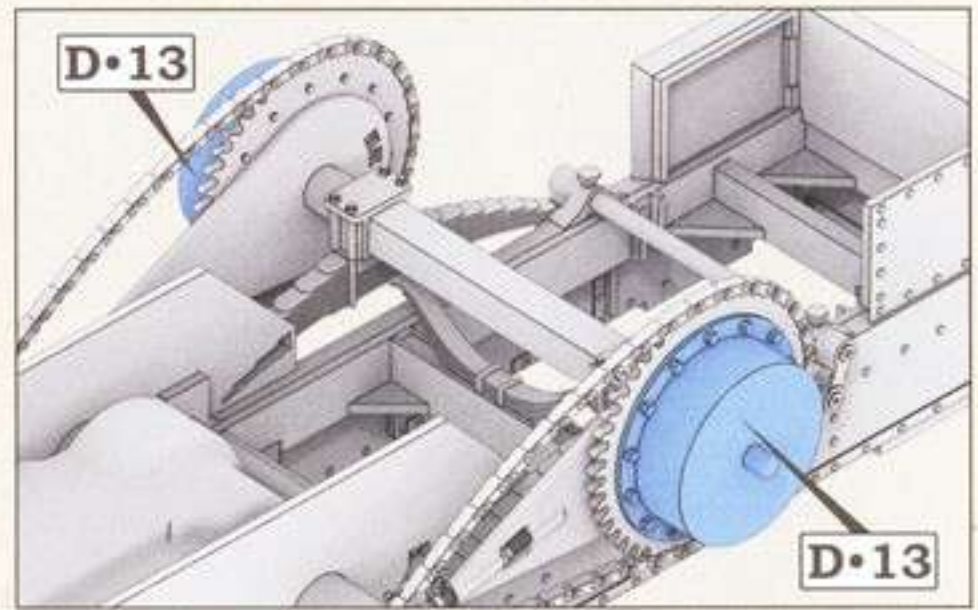
Step 12. assembling rear axle



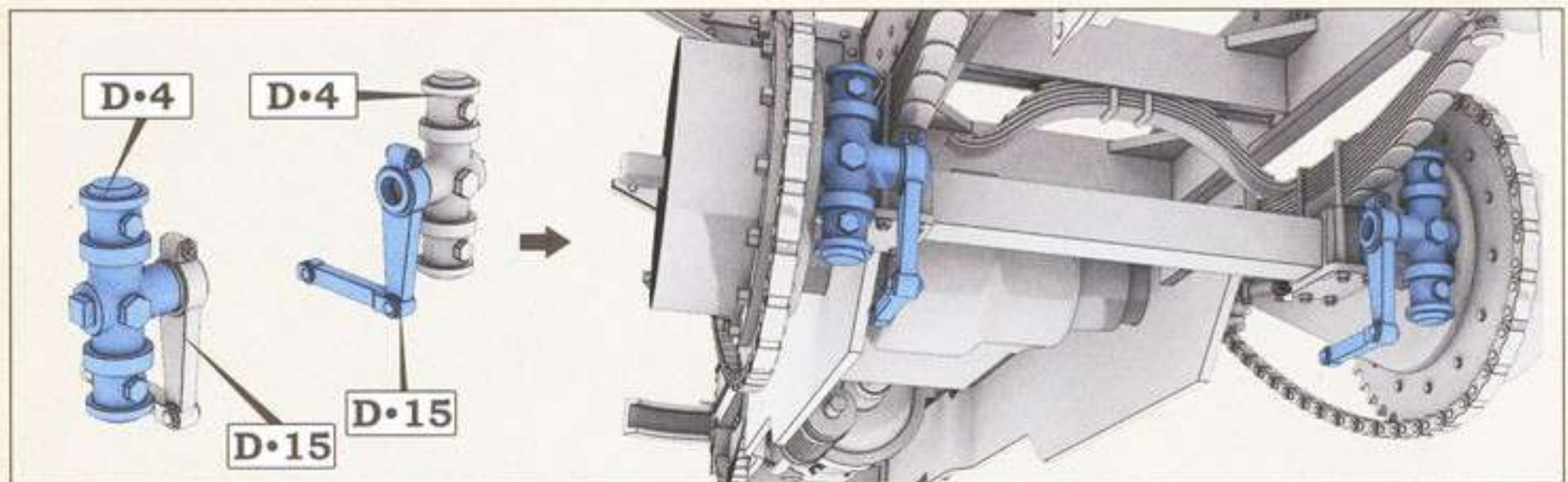
Step 13. Assembling the chain drive



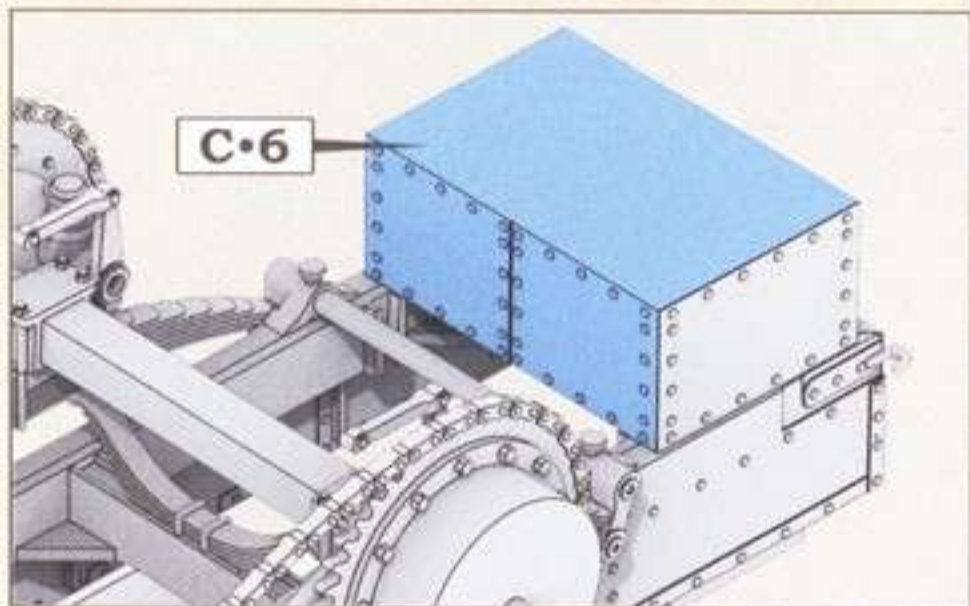
Step 14. Installing the chain drive



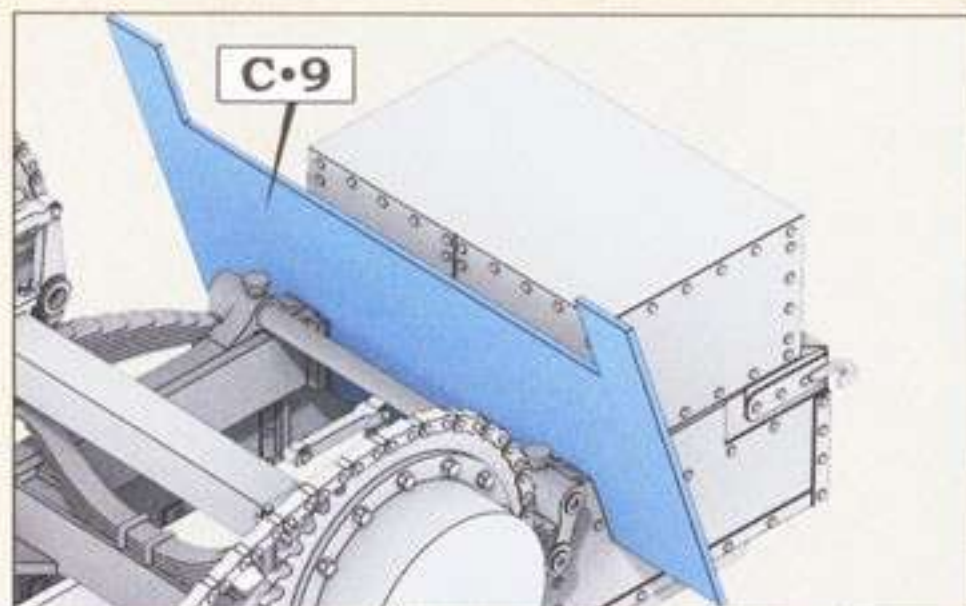
Step 15. Installation of the brake drums



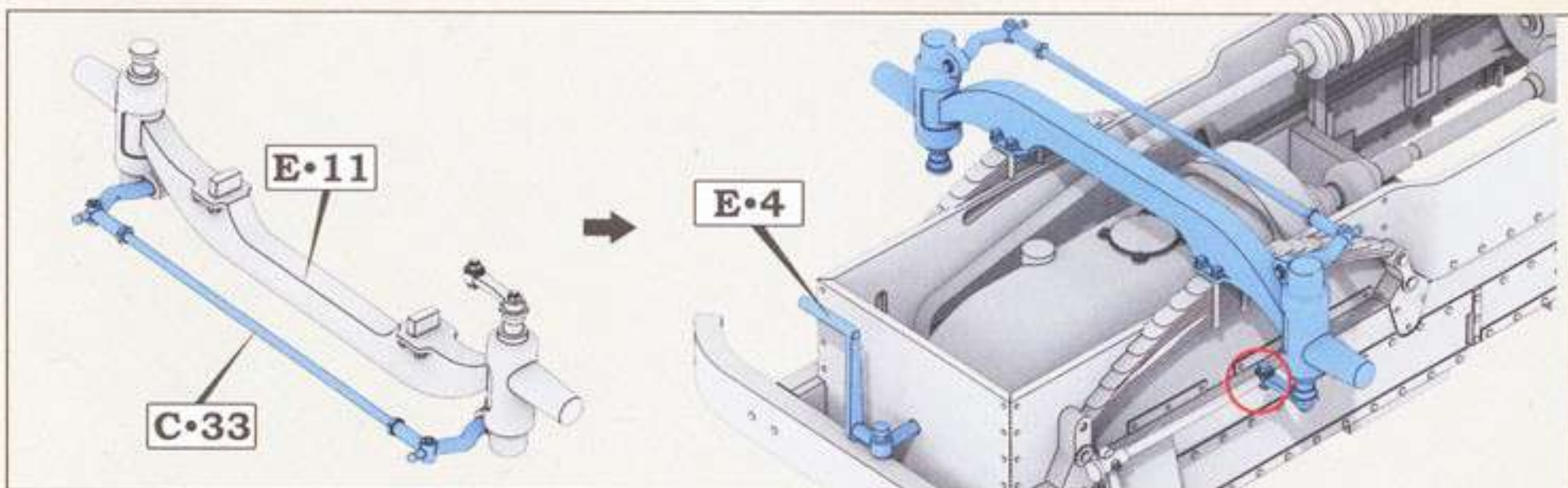
Step 16. Assembling and installing the foot brake actuators.



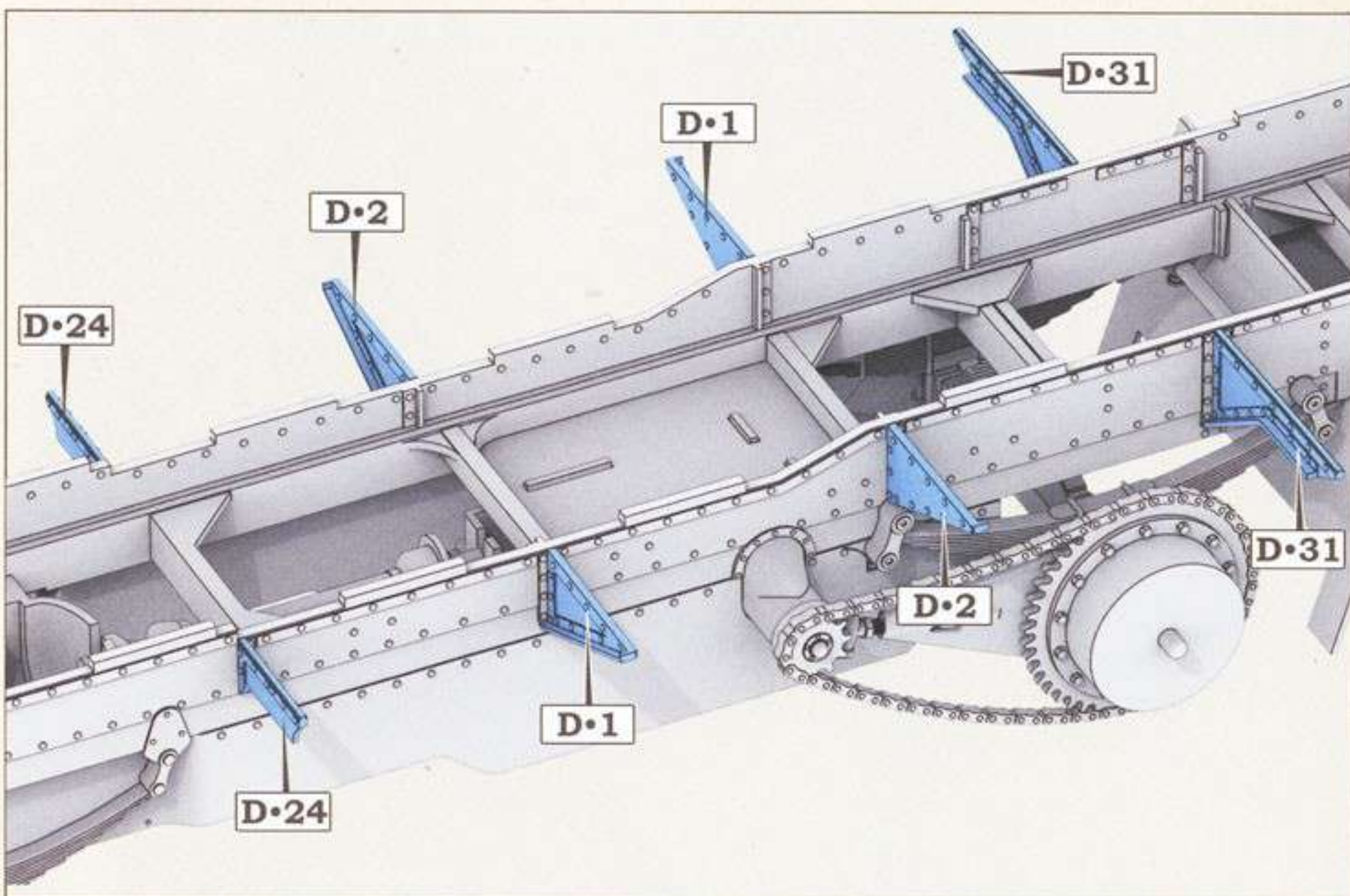
Step 17. Closing the rear storage box



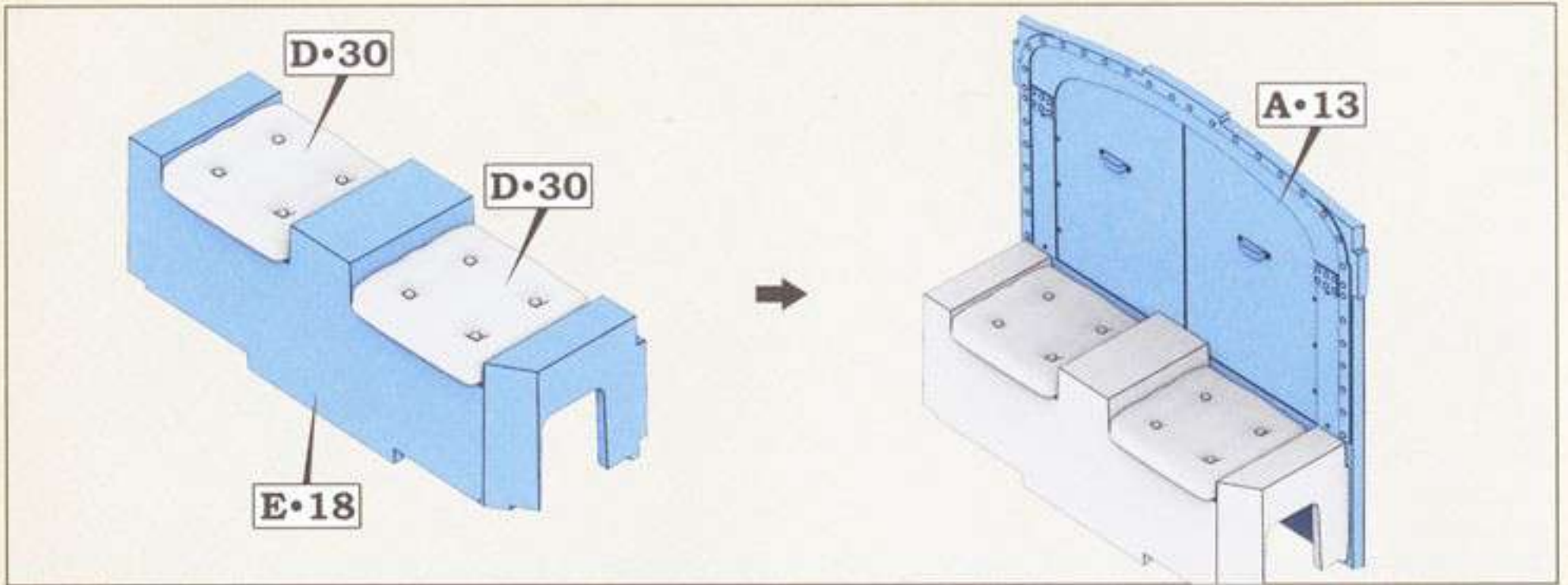
Step 18. Installing the chain drive protection



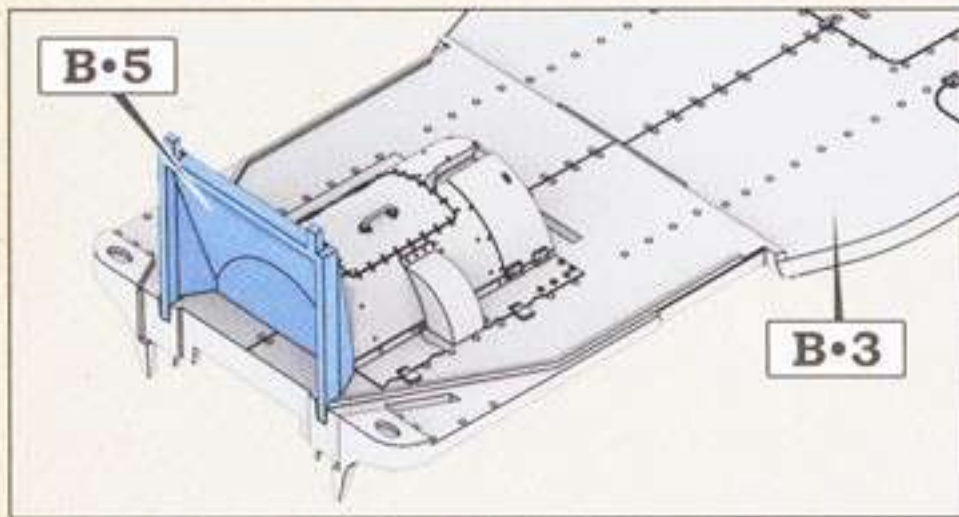
Step 19. Assembling and installation of the front axle and hand crank



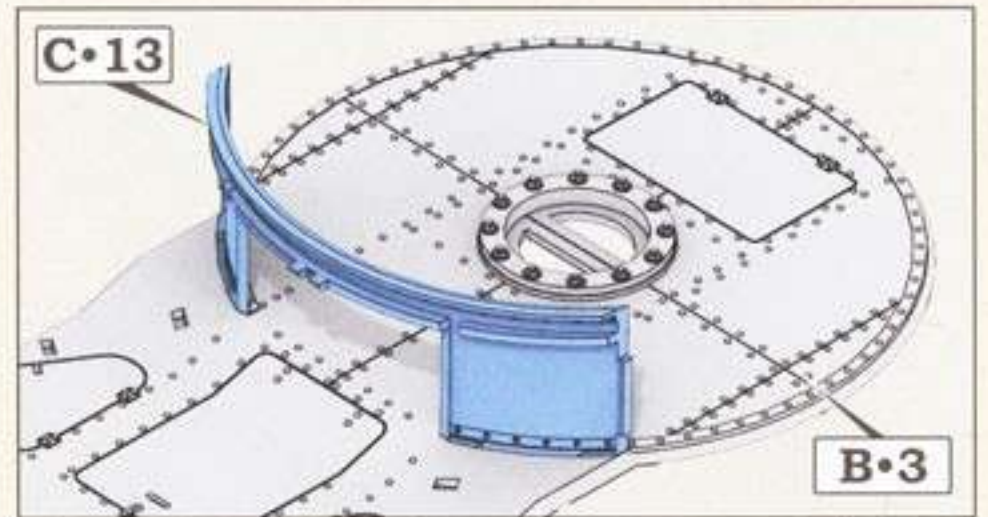
Step 20. Installation of the armoured body supports



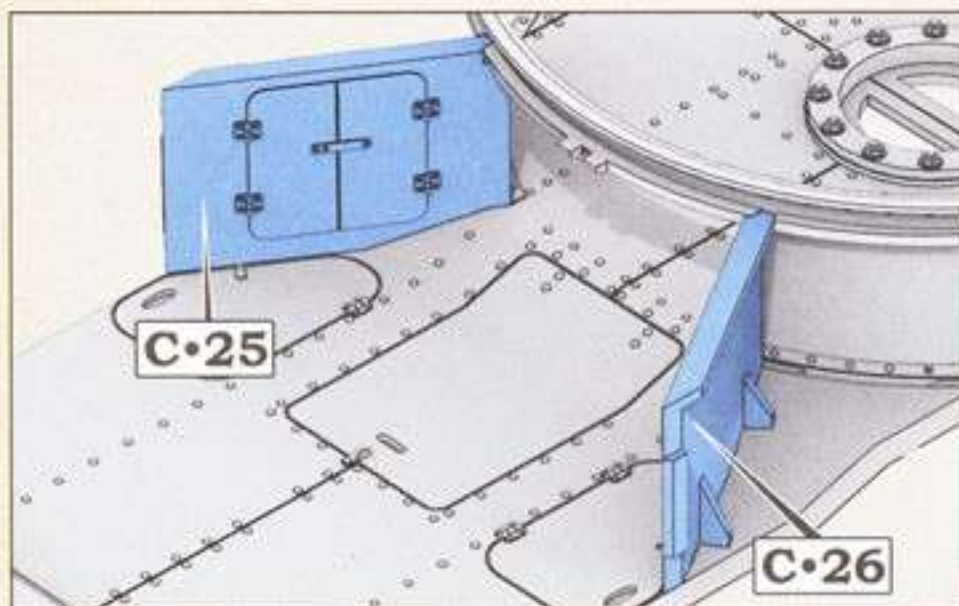
Step 21. Assembling the driver seats and the rear cab access door



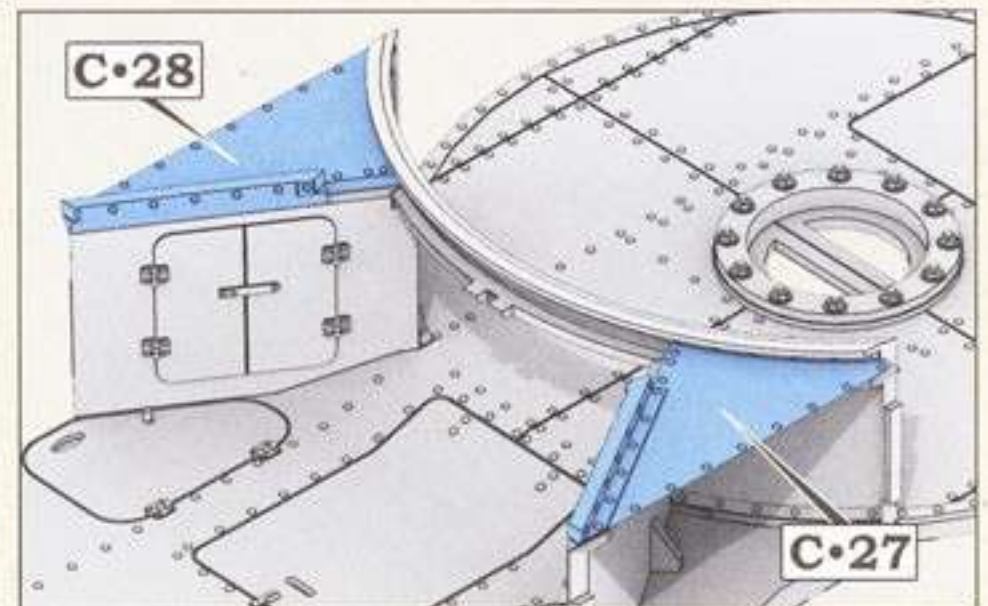
Step 22. Installation of the radiator rear cover



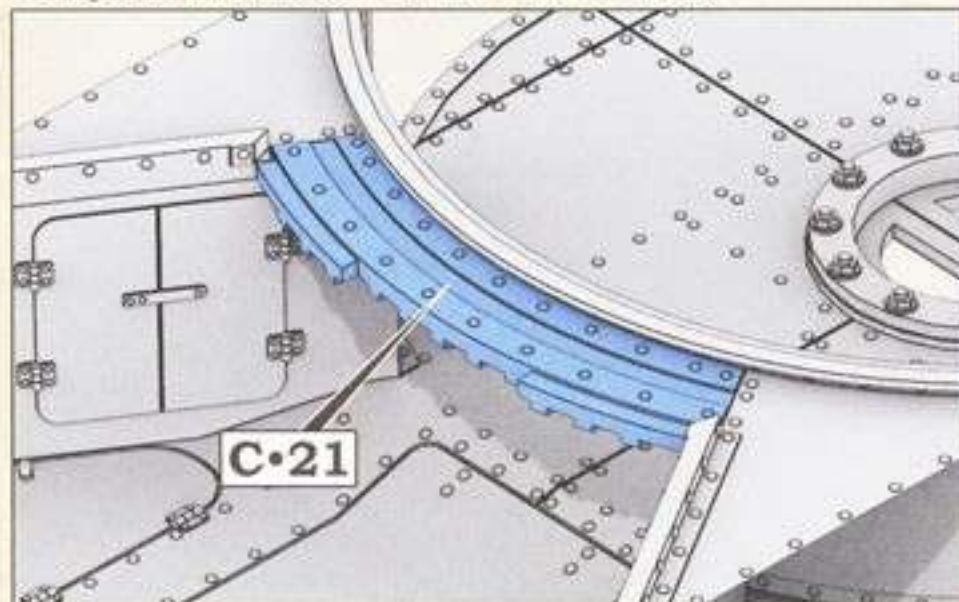
Step 23. Installation of main gun compartment's front wall



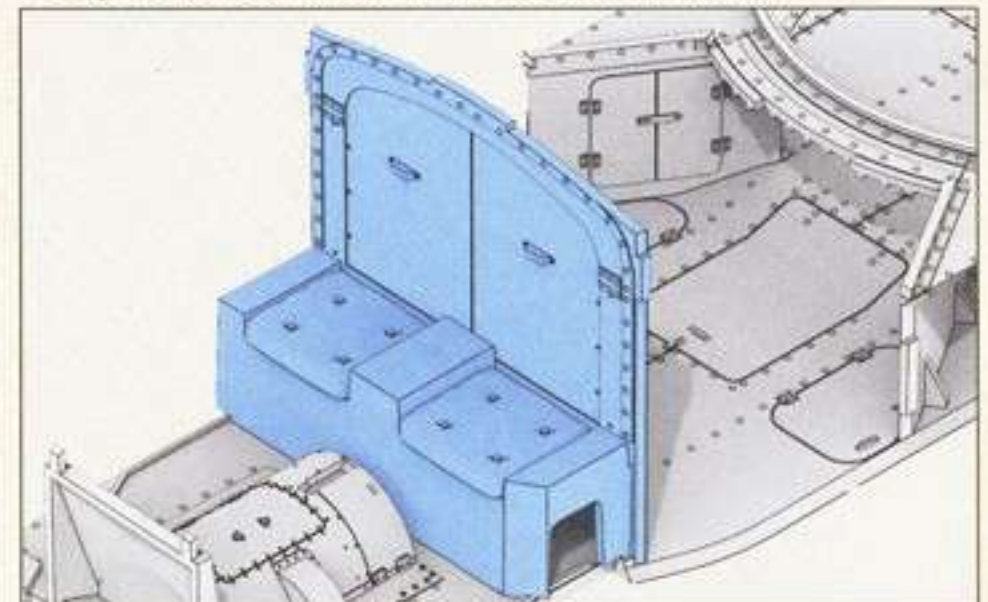
Step 24. Installation of the interior walls



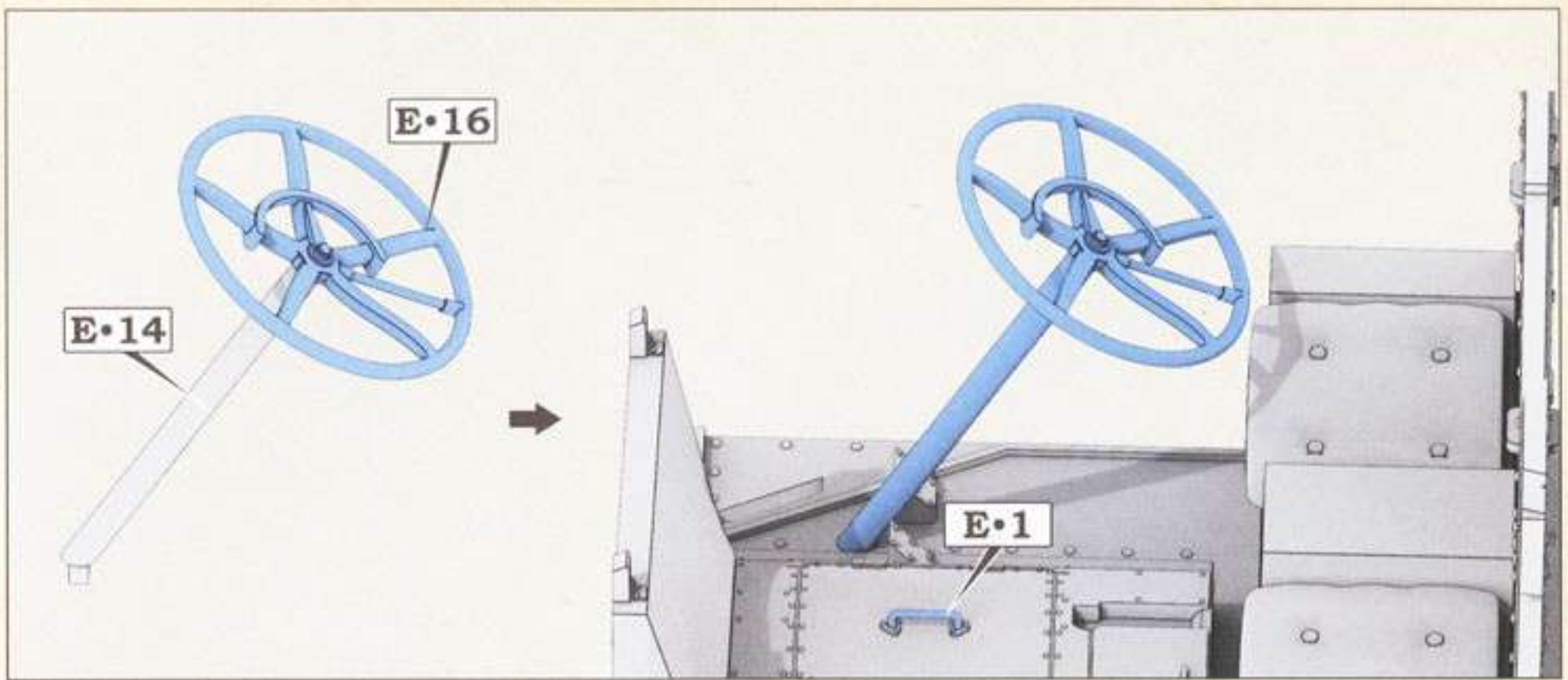
Step 25. Installation of the additional covers



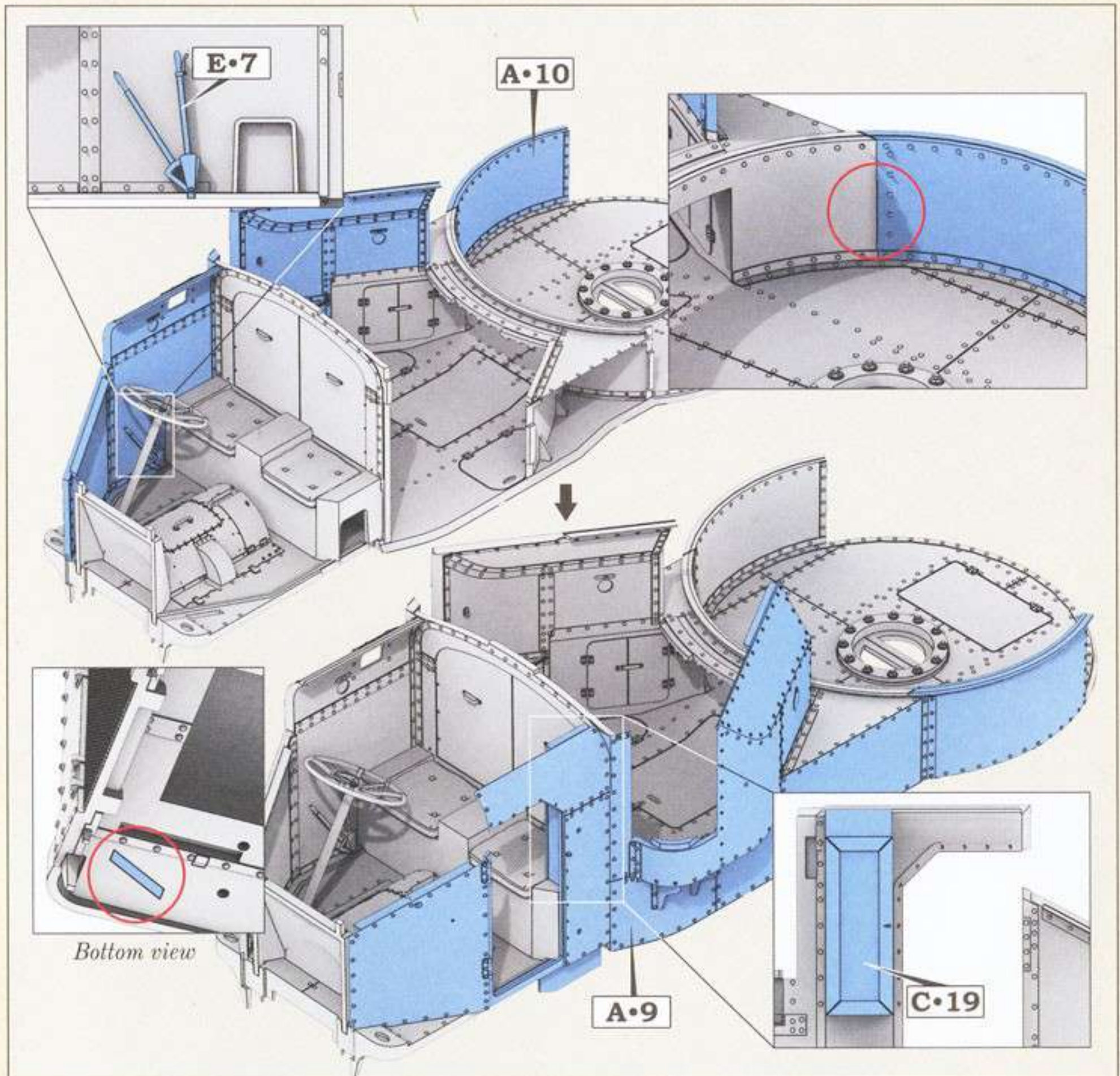
Step 26. Installation of the additional round section



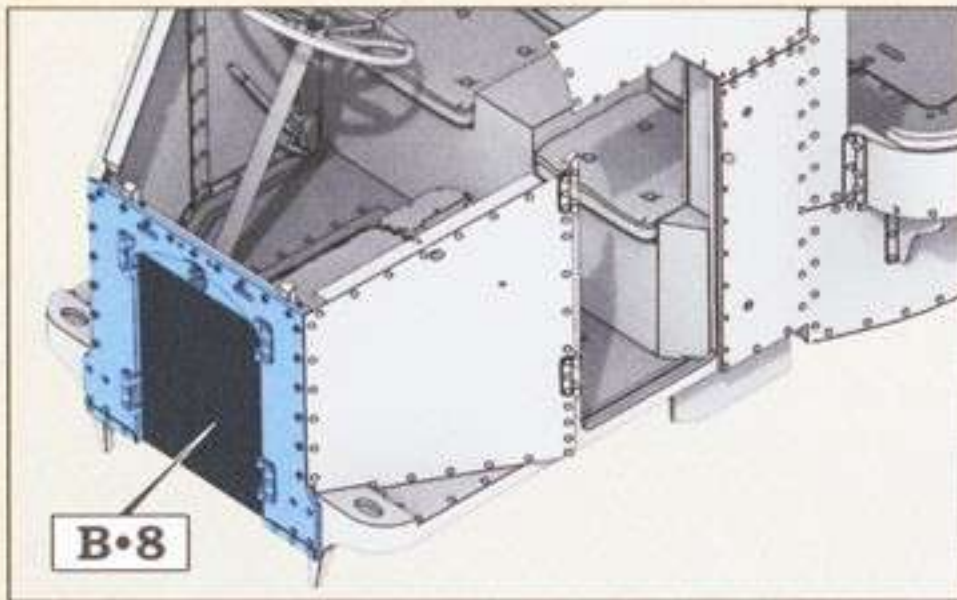
Step 27. Installation of the driver's seat and wall



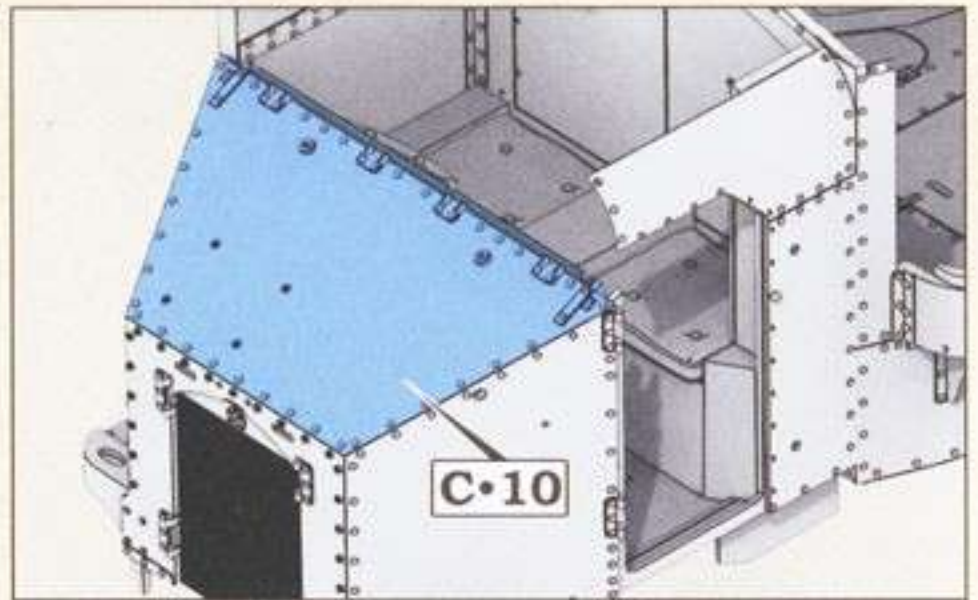
Step 28. Assembling and installation of the steering wheel and engine cover handle



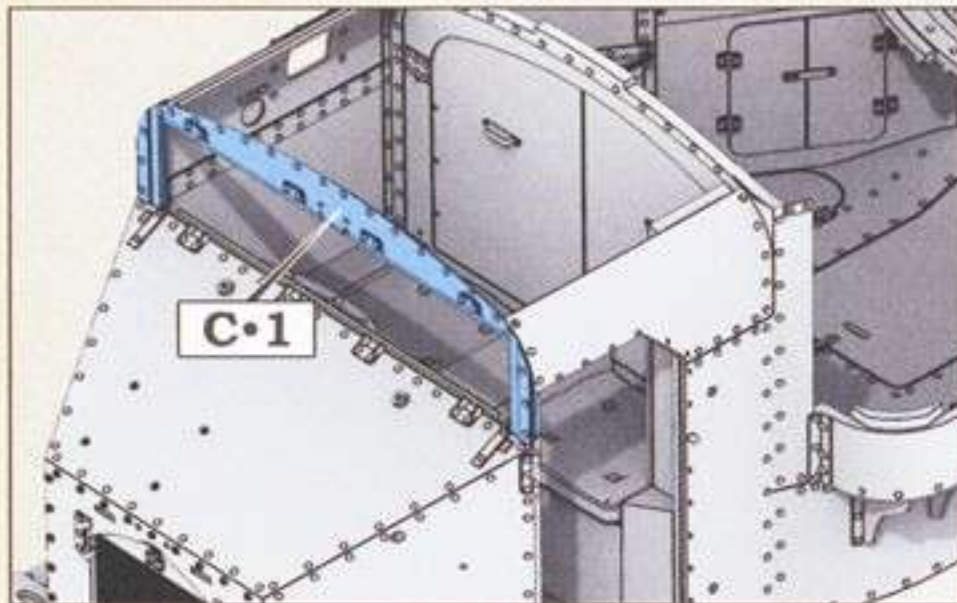
Step 29. Installation of the armoured superstructure walls



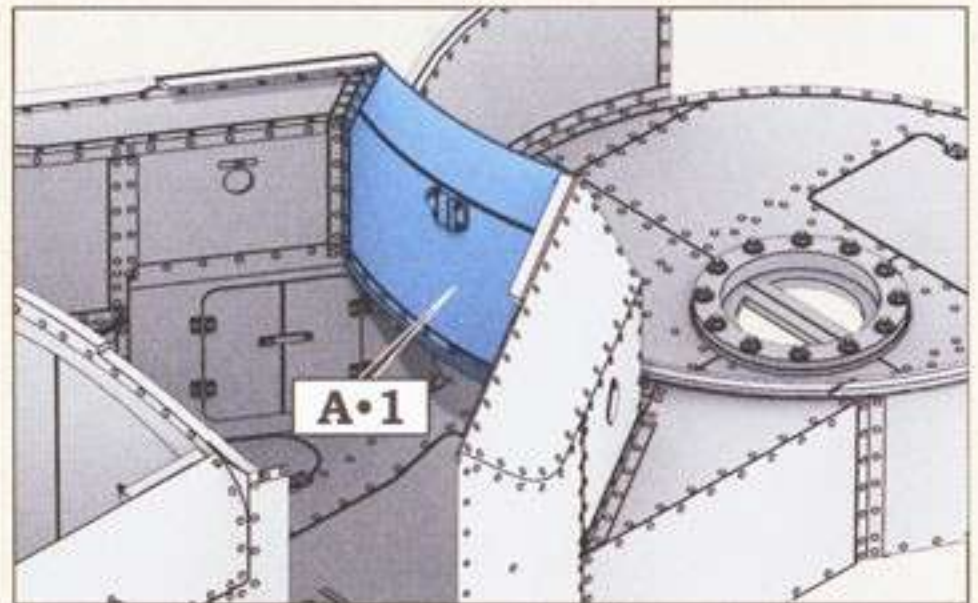
Step 30. Installation of the radiator front armoured wall



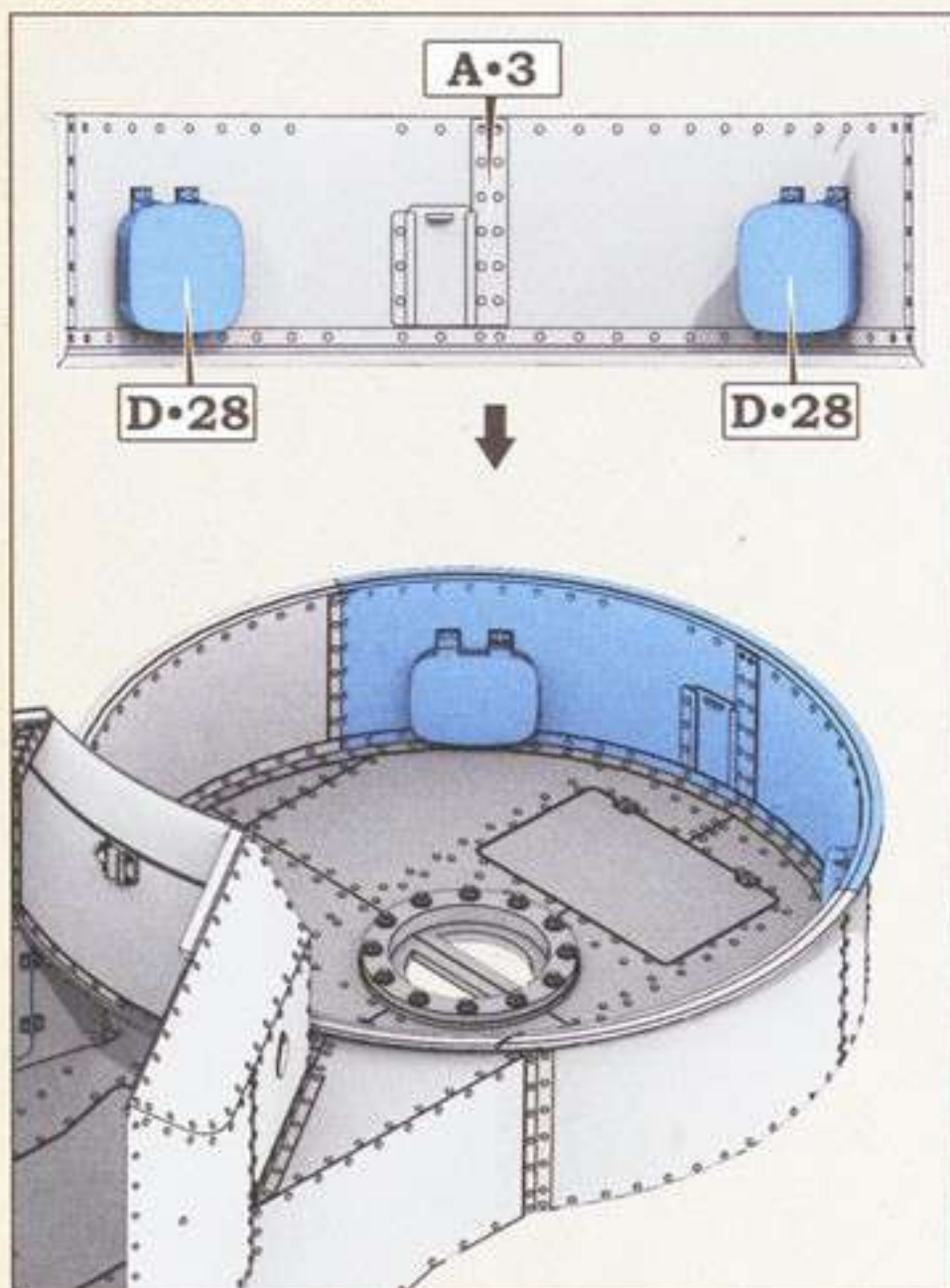
Step 31. Installation of the armoured hood



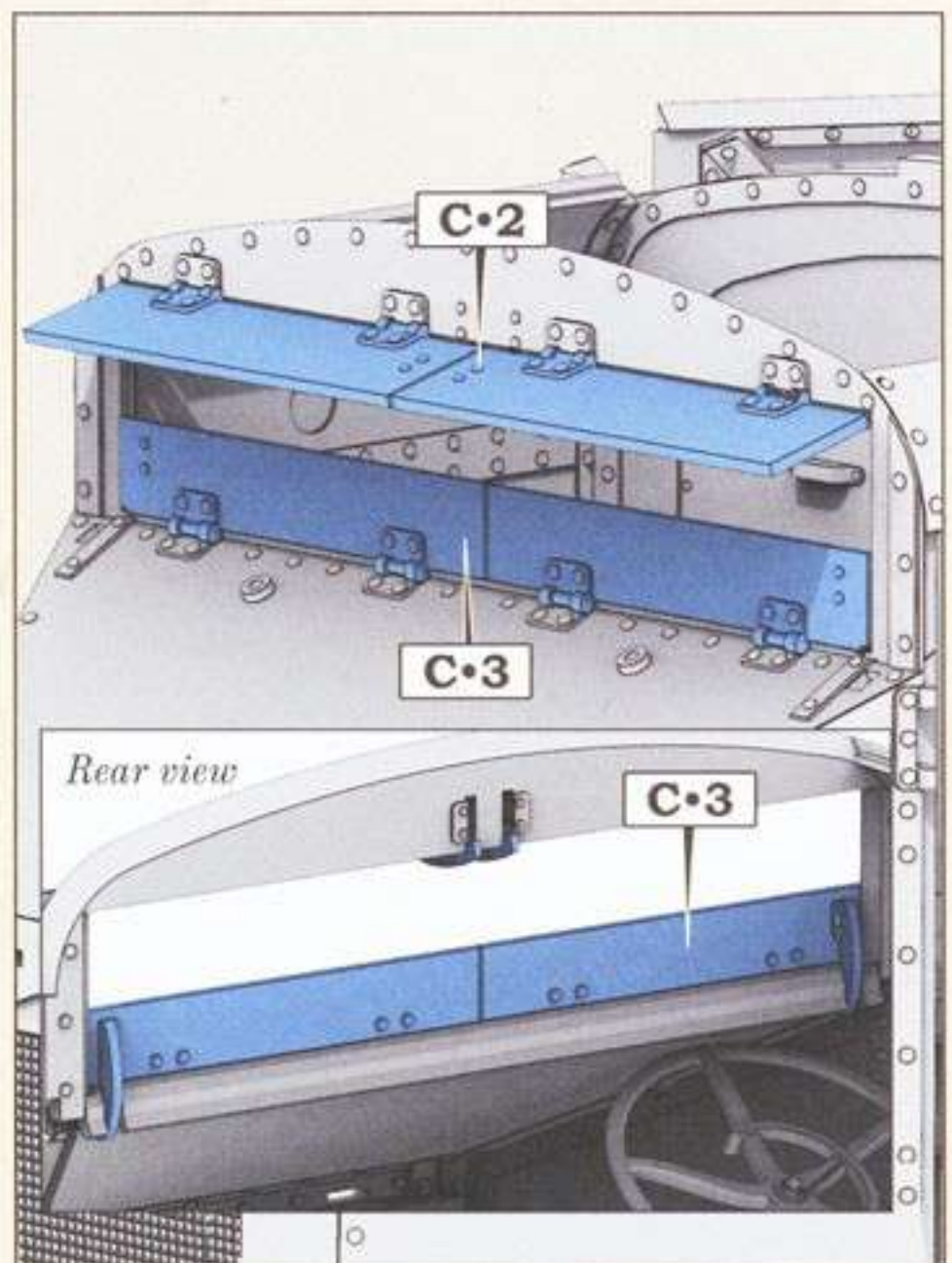
Step 32. Installation of the front driver's armoured plate at the front of the cab



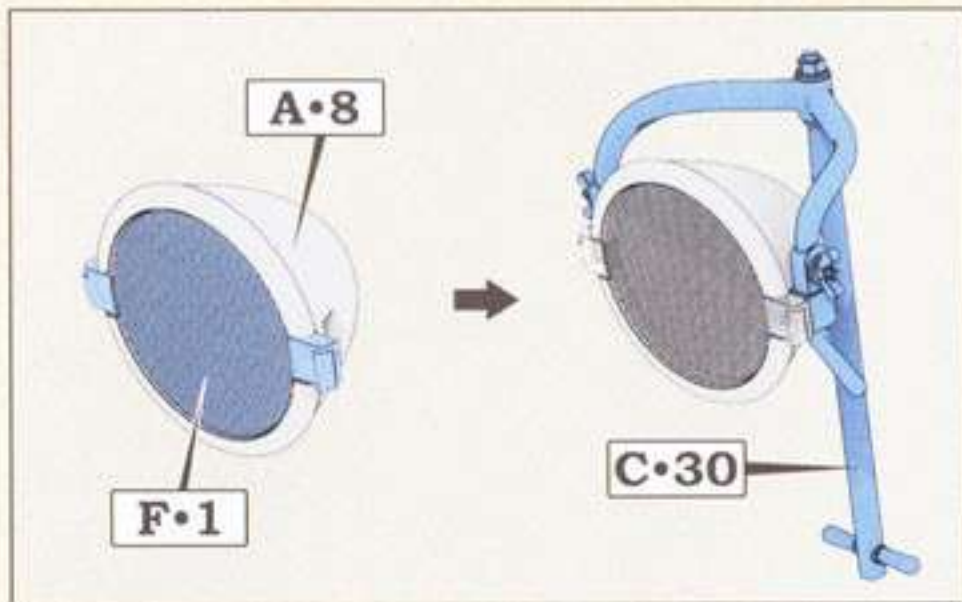
Step 33. Installation of the MG compartment rear wall



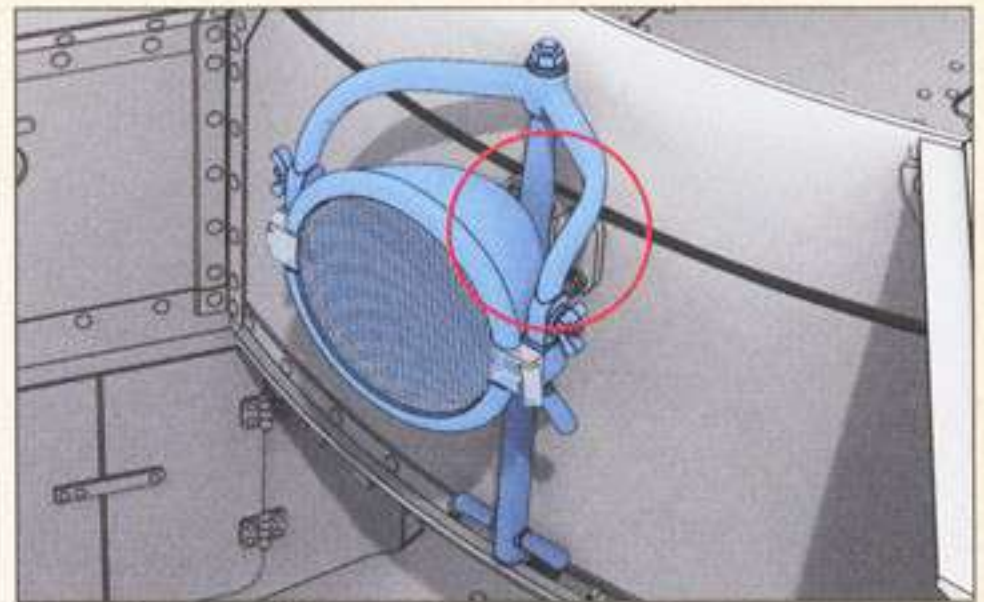
Step 34. Assembling and installation of the main gun compartment's rear wall



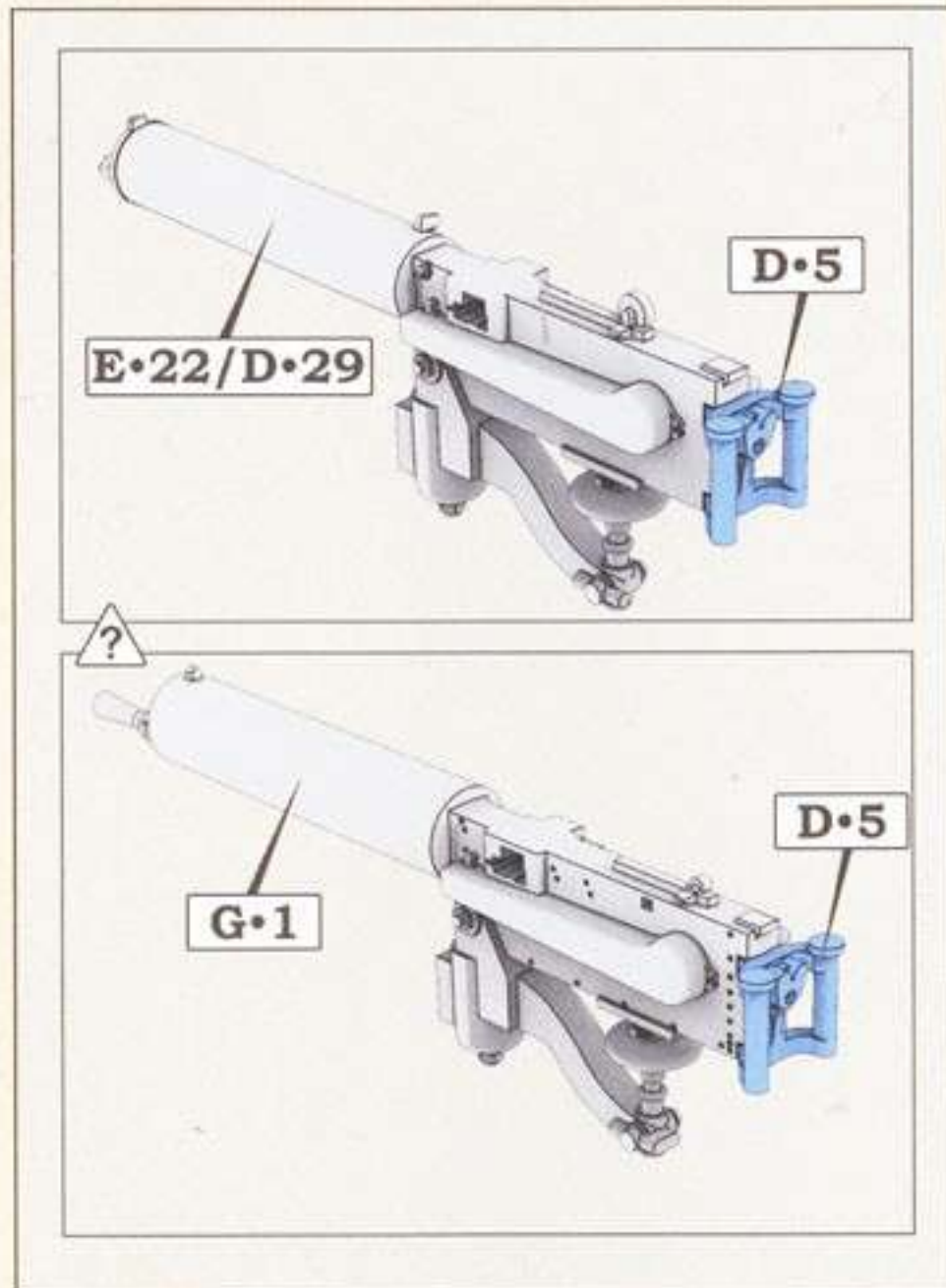
Step 35. Installation of the driver's shutters



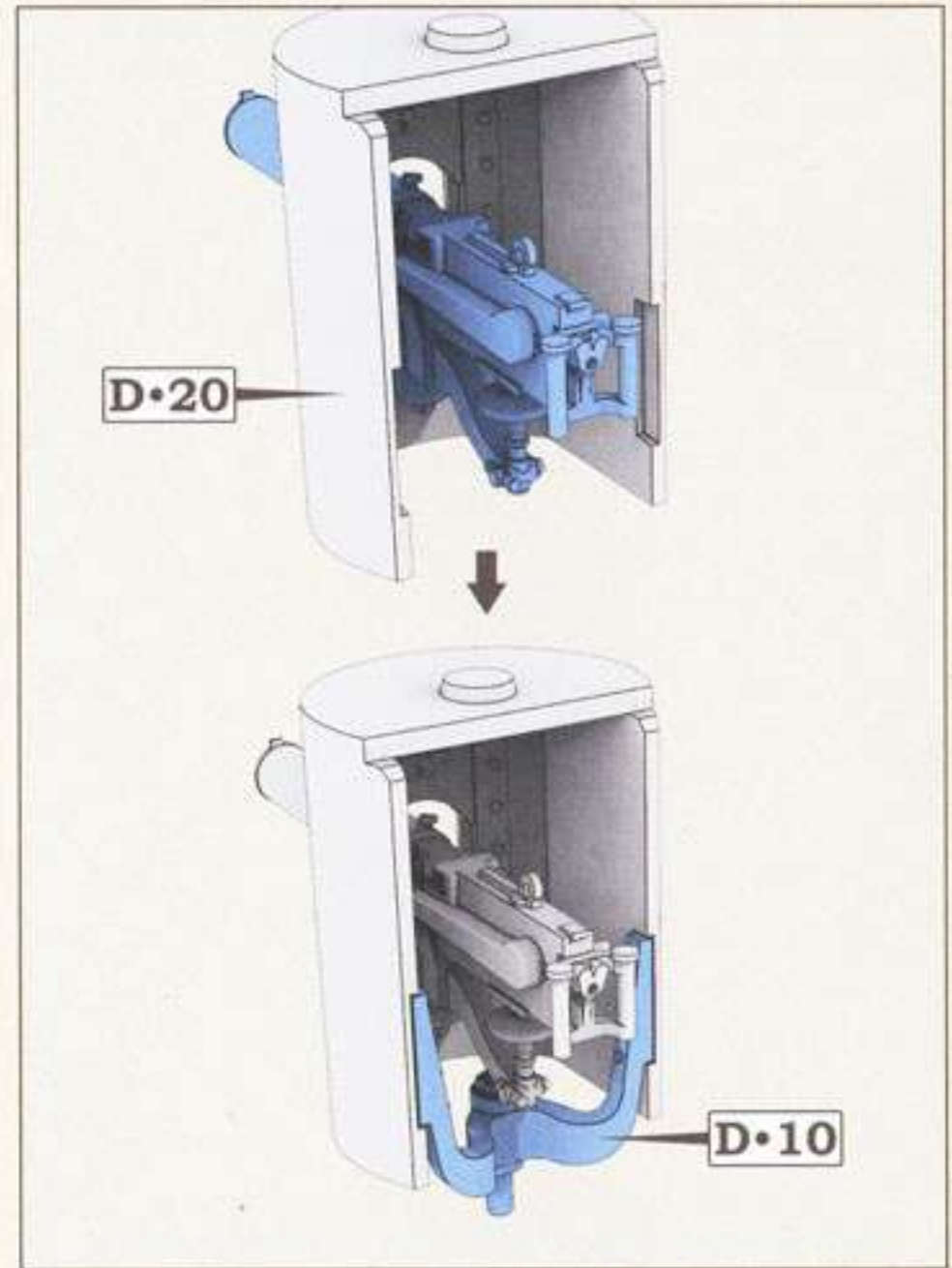
Step 36. Assembling the searchlight



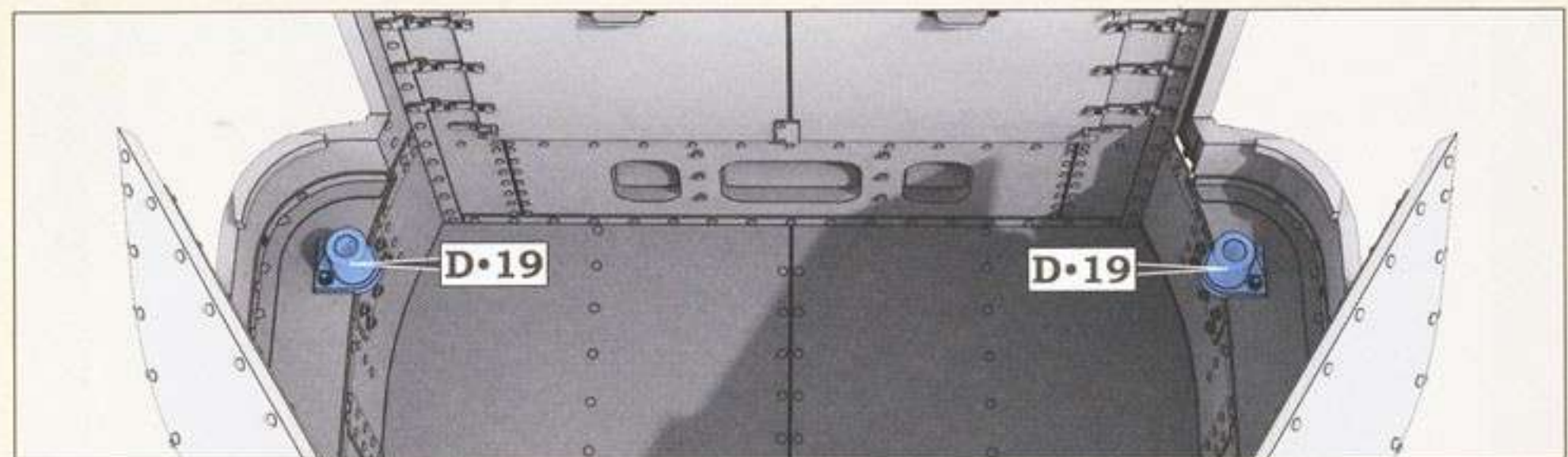
Step 37. Installation of the searchlight



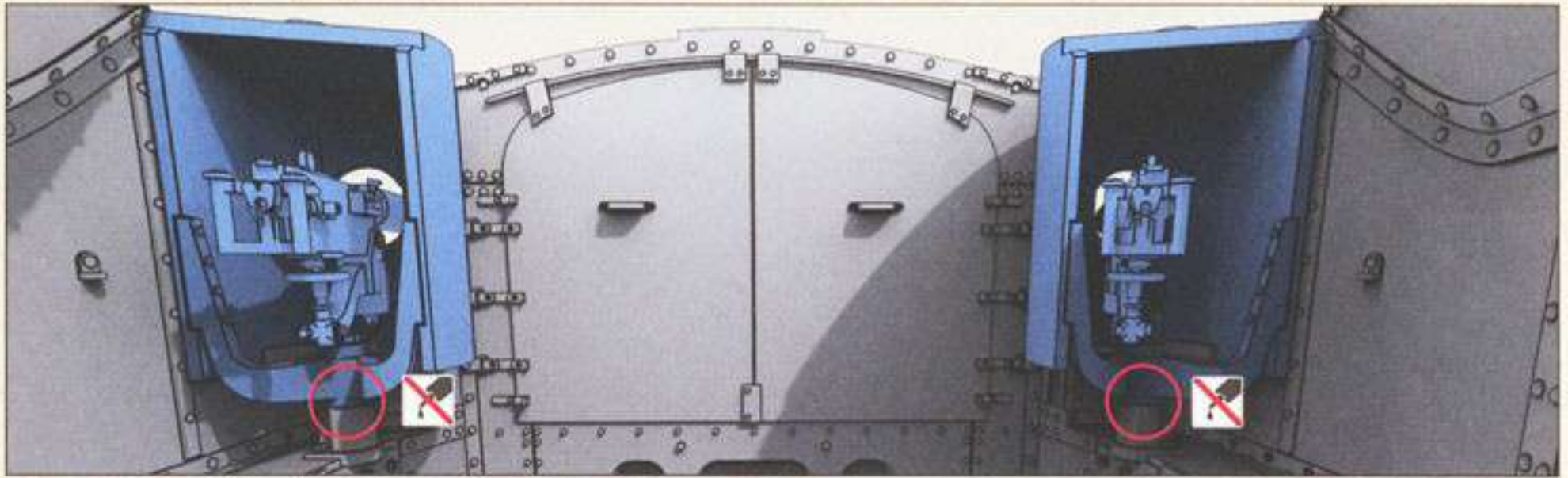
Step 38. Assembling the MG. Make 3. MG 08 (part G1) only for Freikorps version, kit number 350014



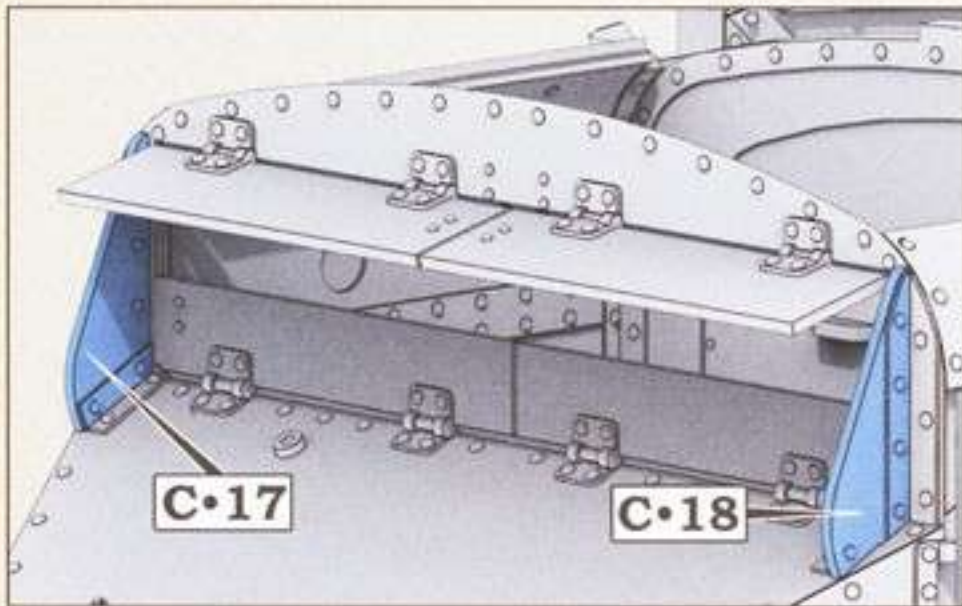
Step 39. Assembling the sponsons. Make two



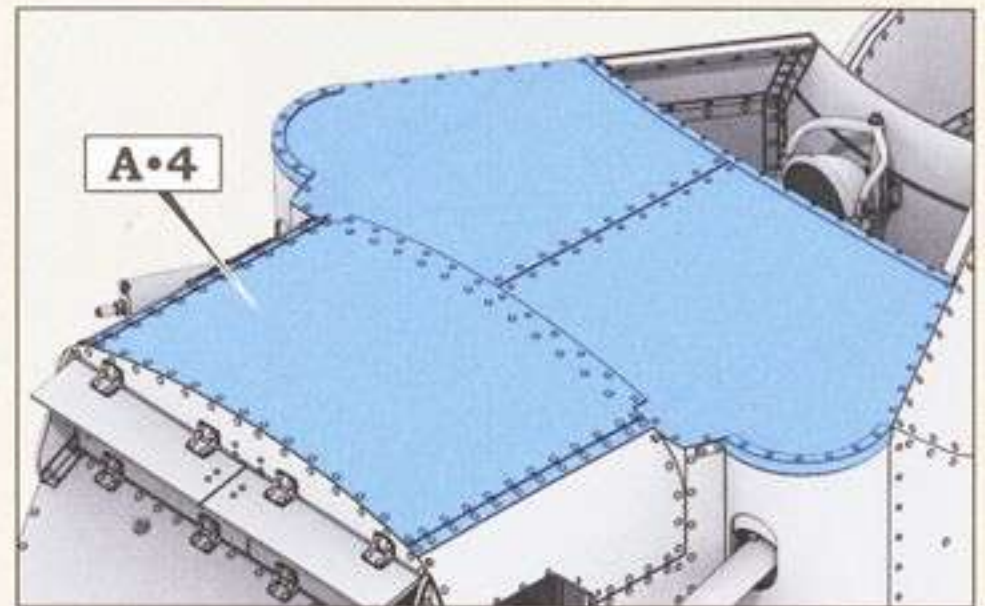
Step 40. Installing the sponsons' base plates



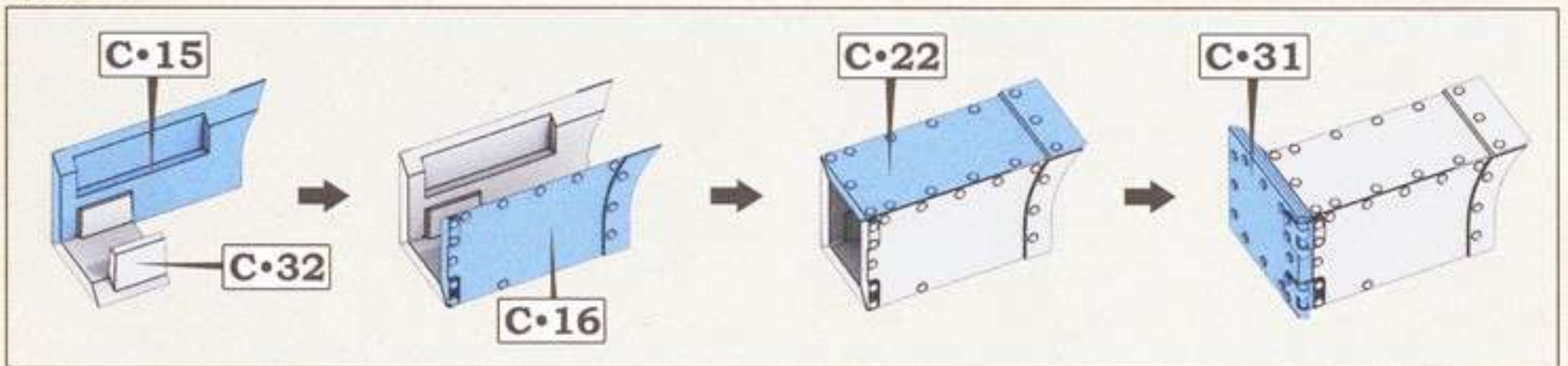
Step 41. Installing the sponsons. Do not use glue.



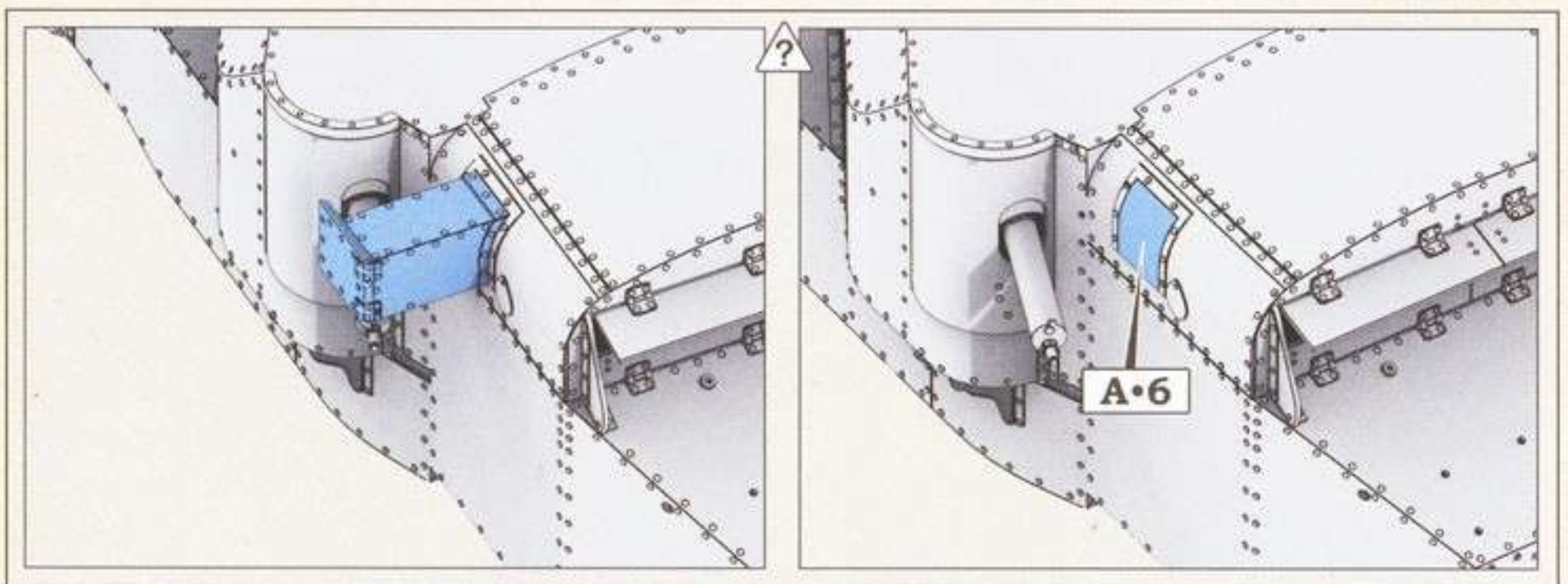
Step 42. Installing the driver side protective armoured plates



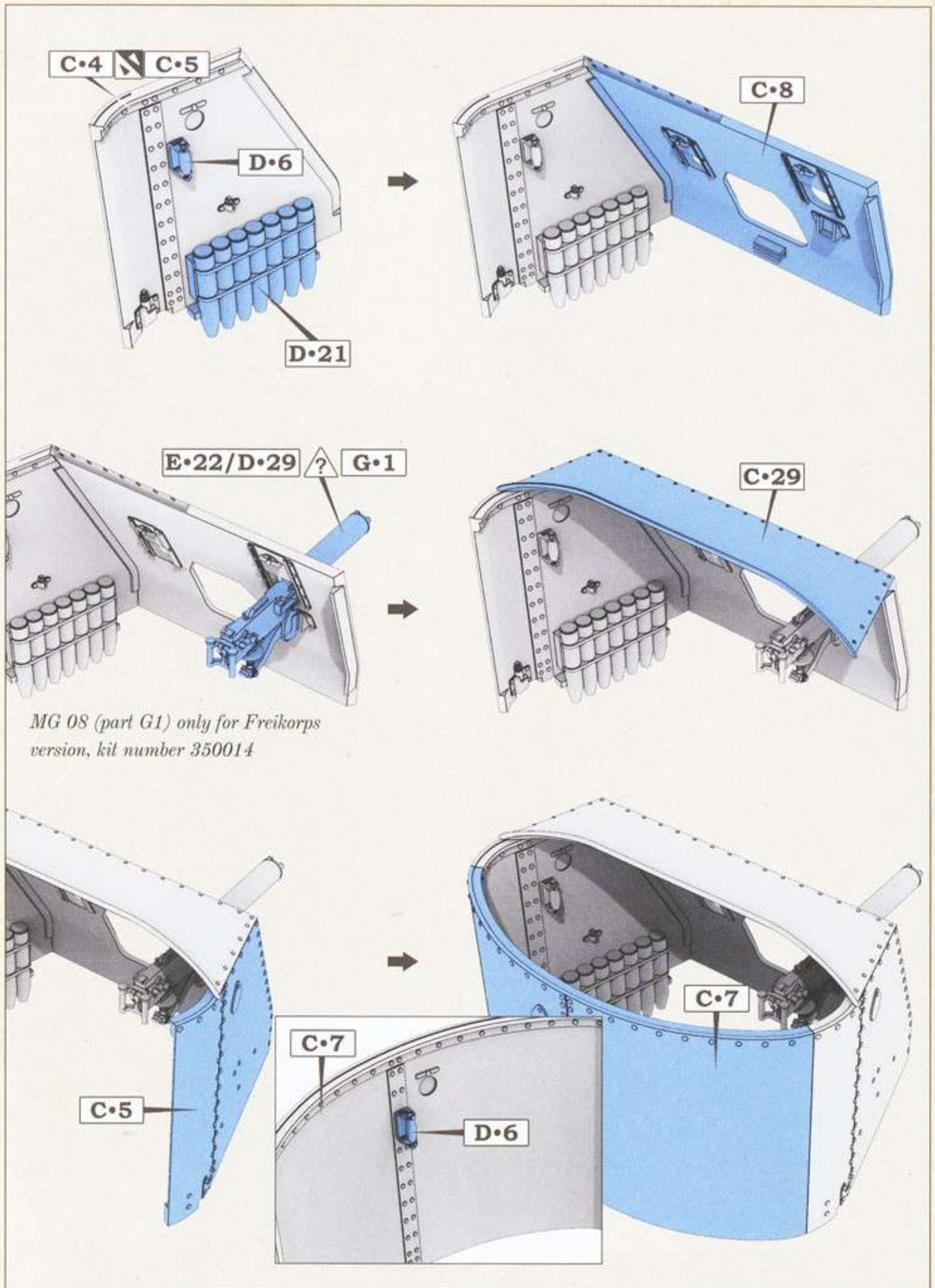
Step 43. Installation of the roof



Step 44. Assembling the mirror reflector

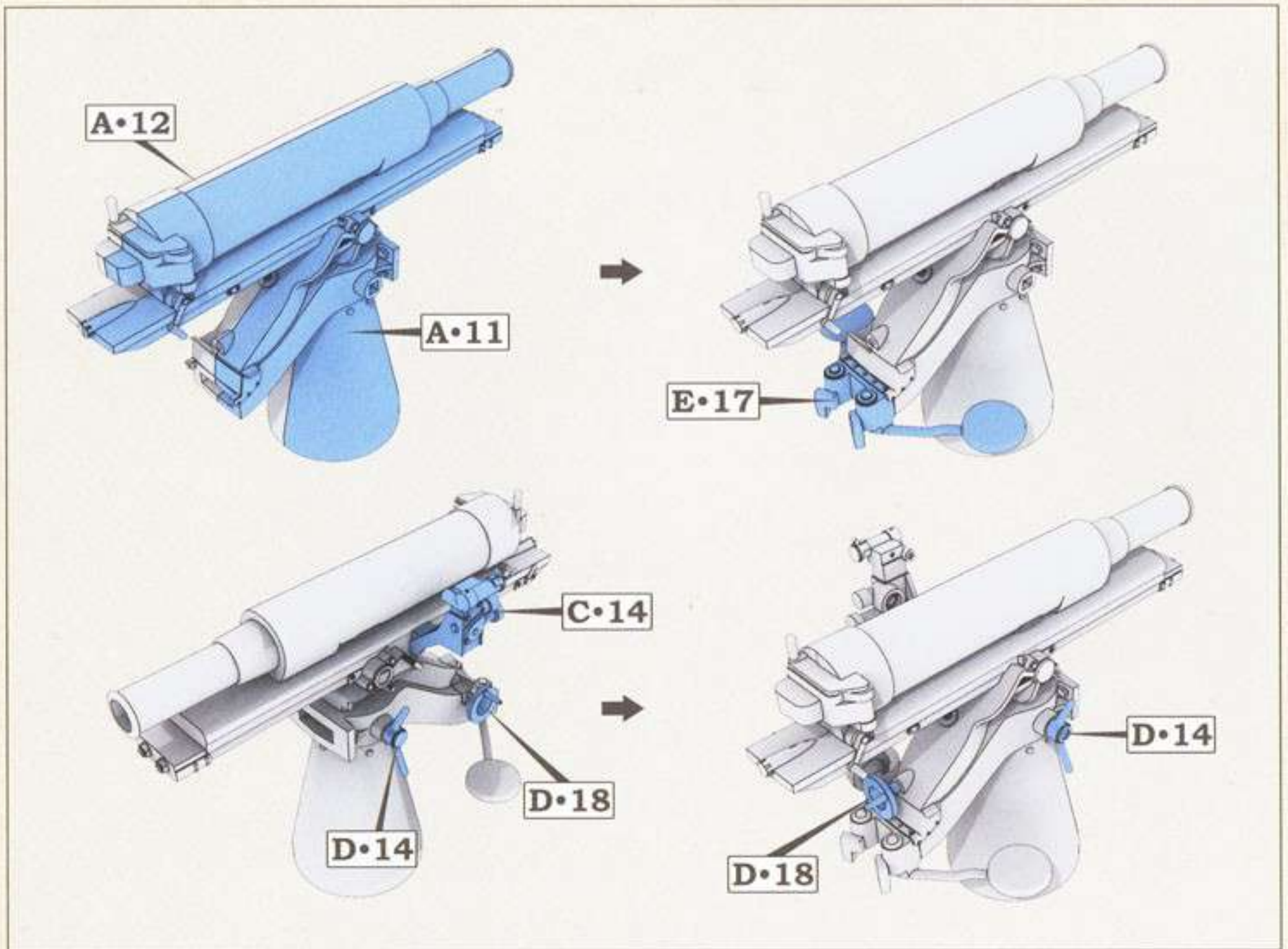


Step 45. Installation of the mirror reflector (for kit number 35009, 350015) or patch (only for Freikorps version, kit number 350014)

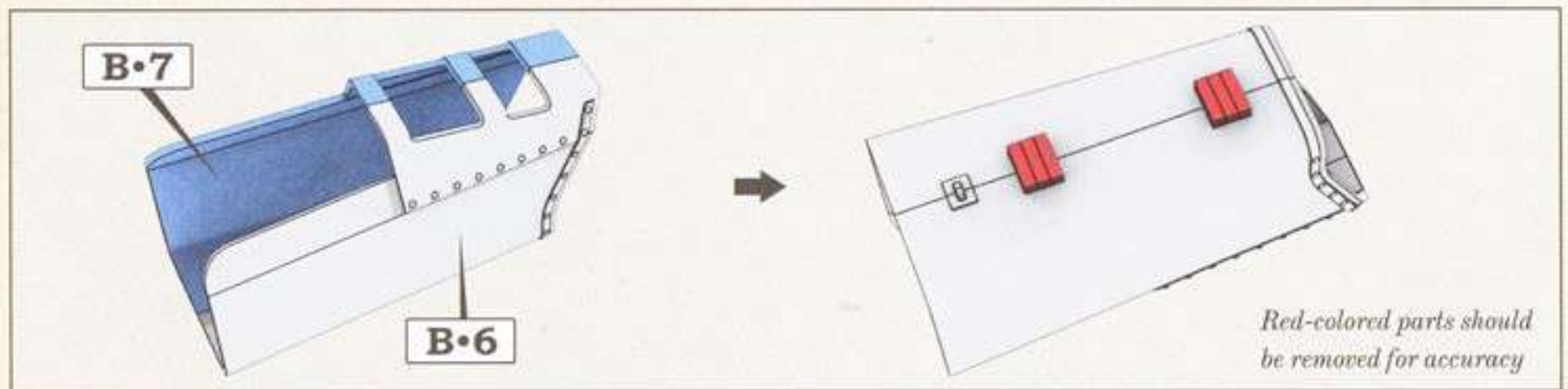


MG 08 (part G1) only for Freikorps version, kit number 350014

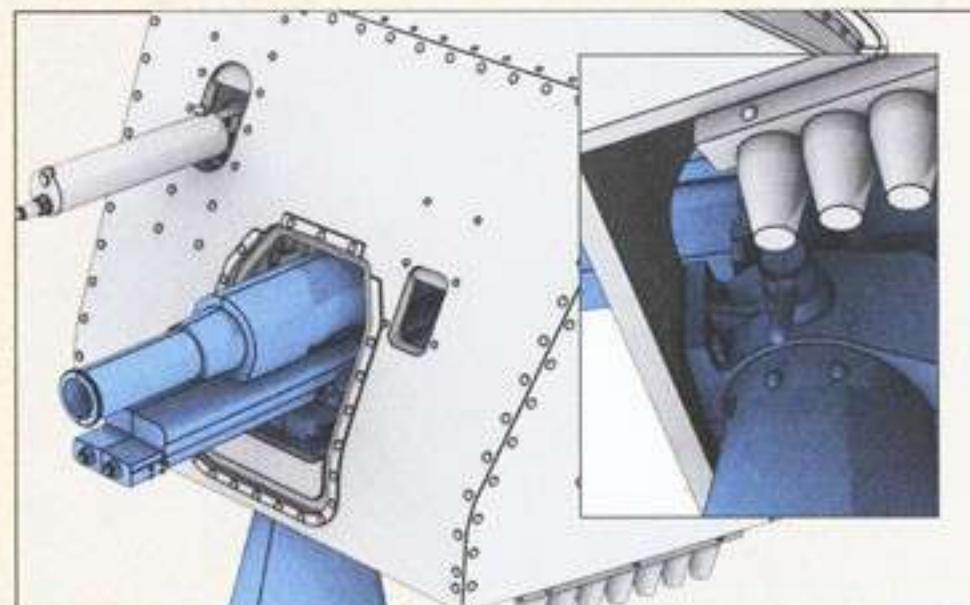
Step 46. Assembling the turret



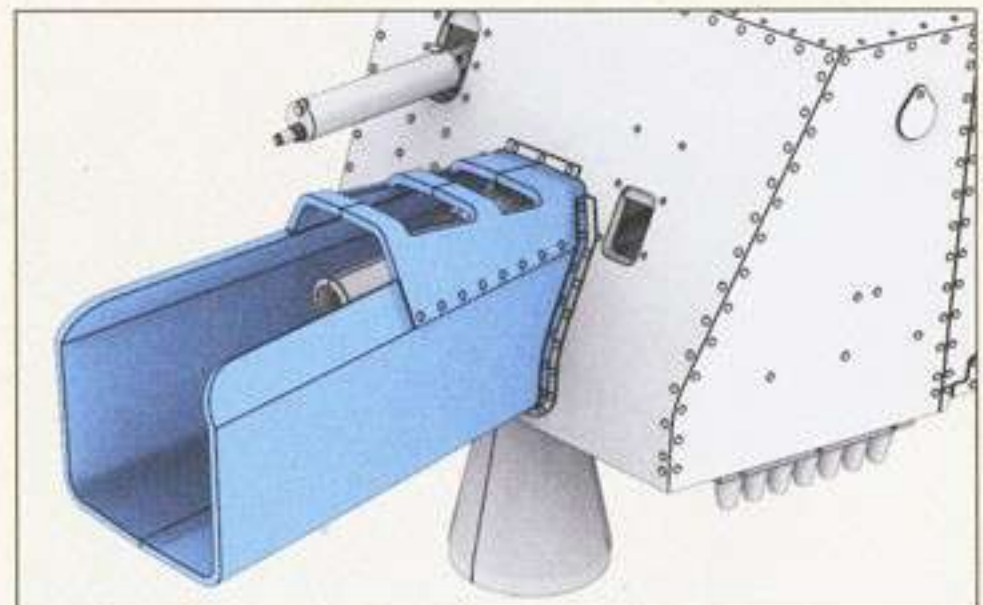
Step 47. Assembling the 76mm Model 1910 "anti-assault" gun



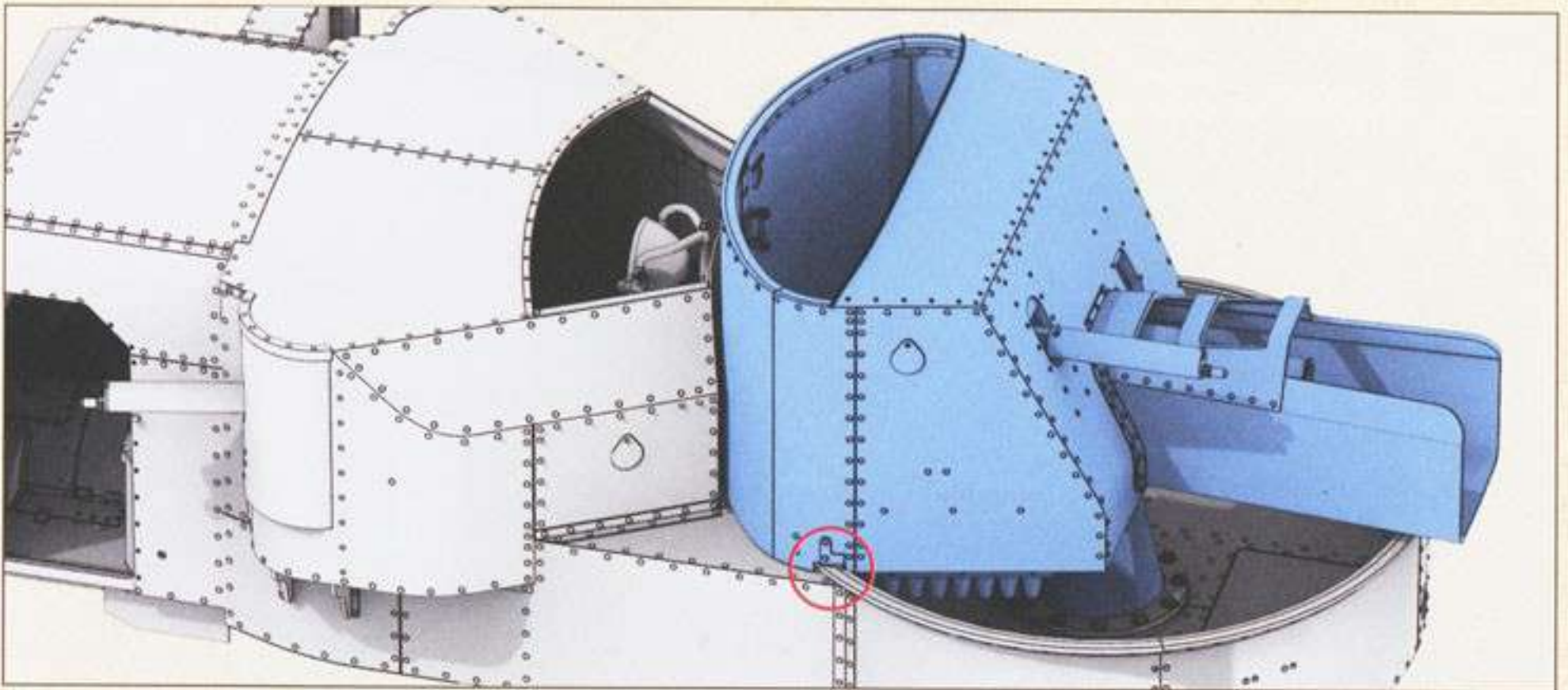
Step 48. Assembling the gun's armoured cowl



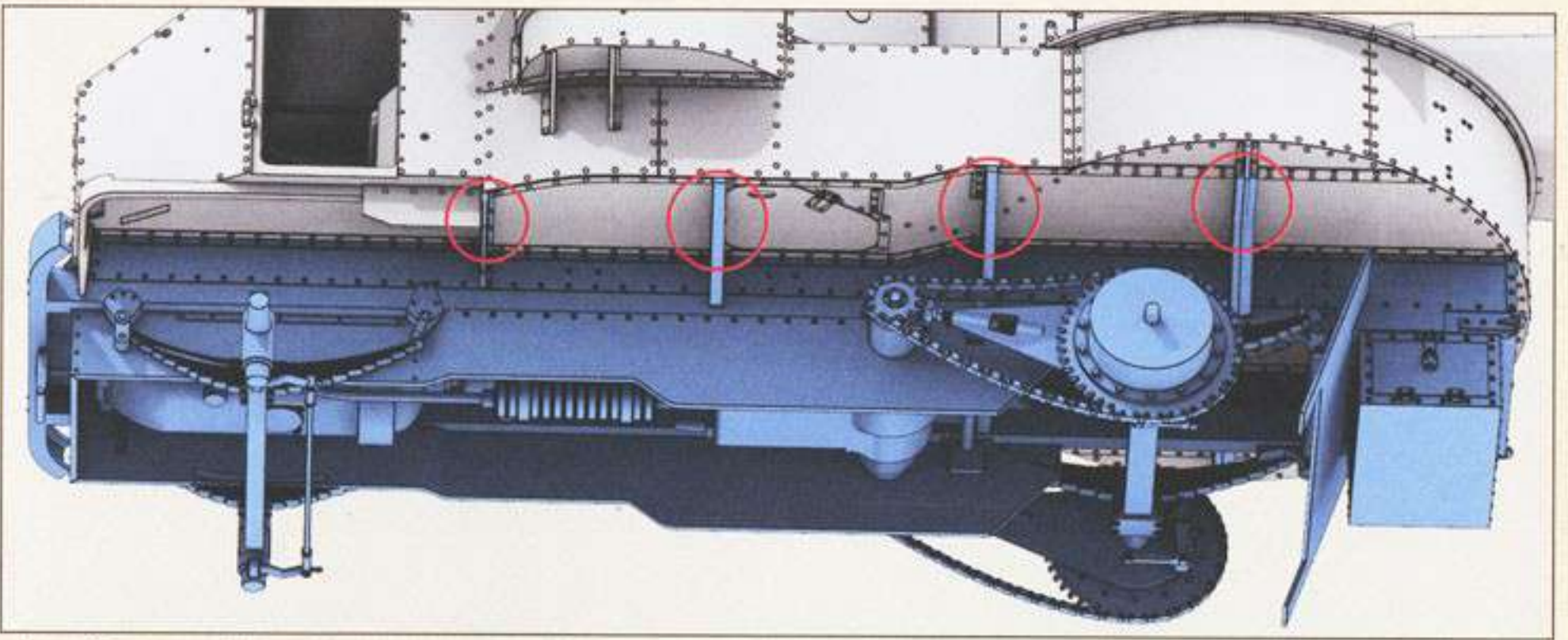
Step 49. Assembling the gun and the turret



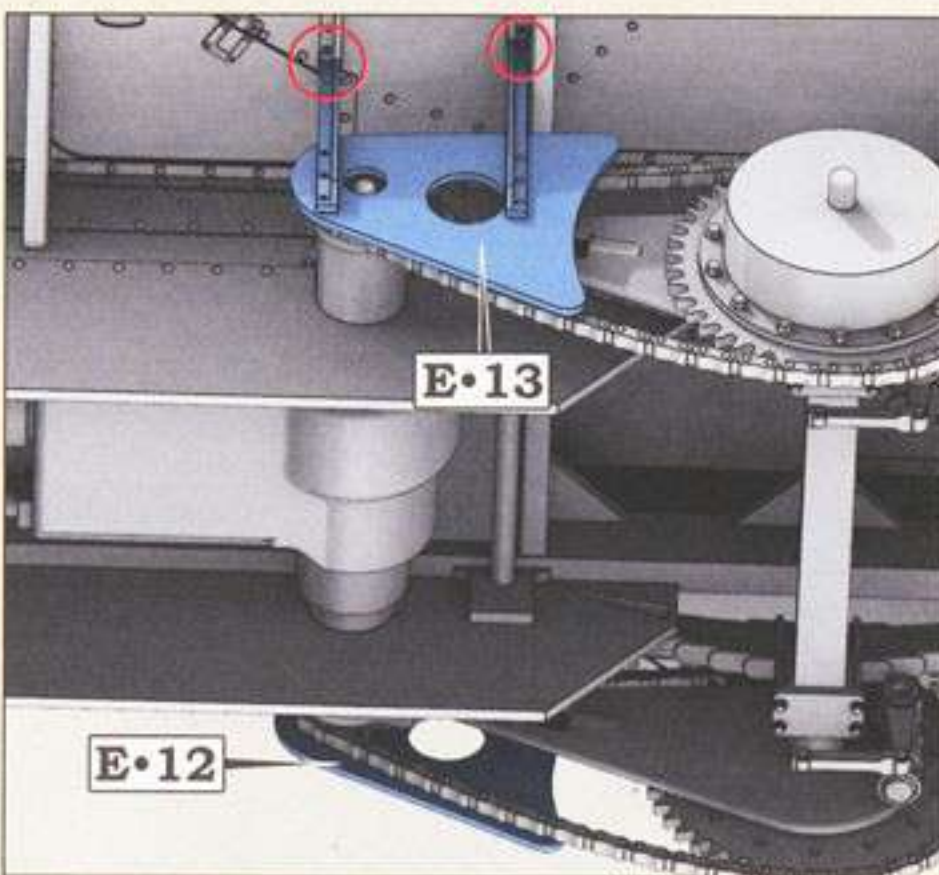
Step 50. Installation of the armoured cowl



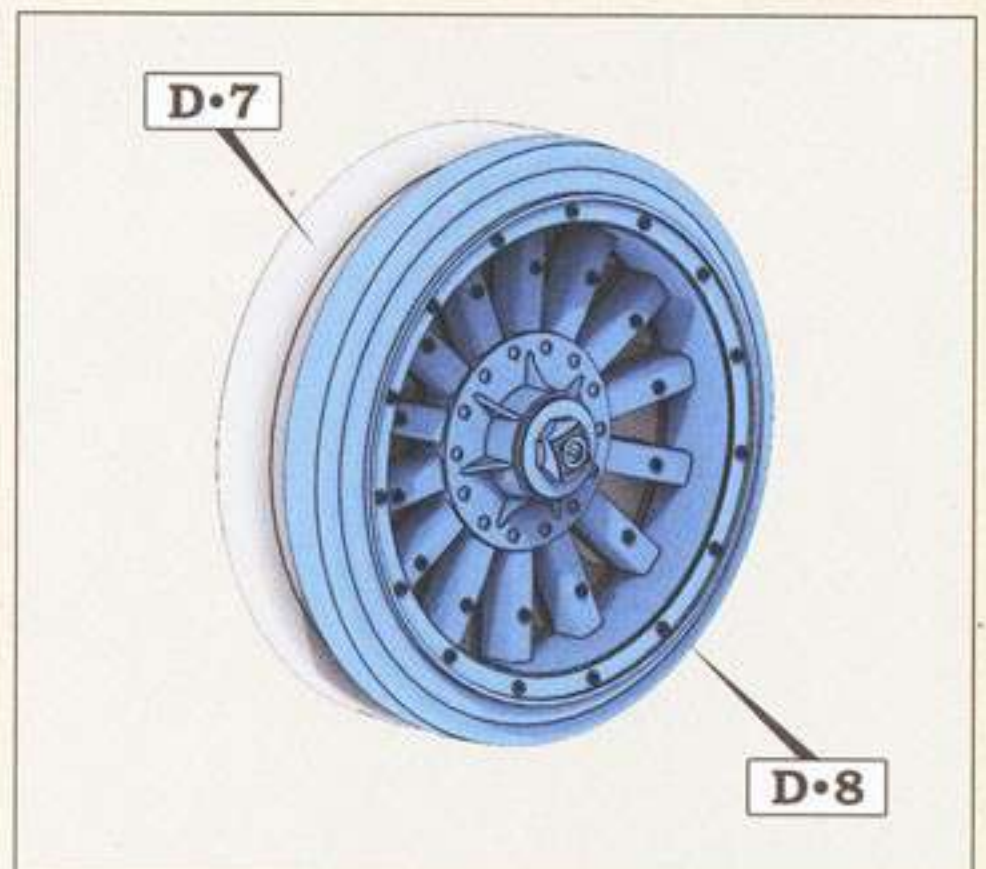
Step 51. Installing the gun assembly



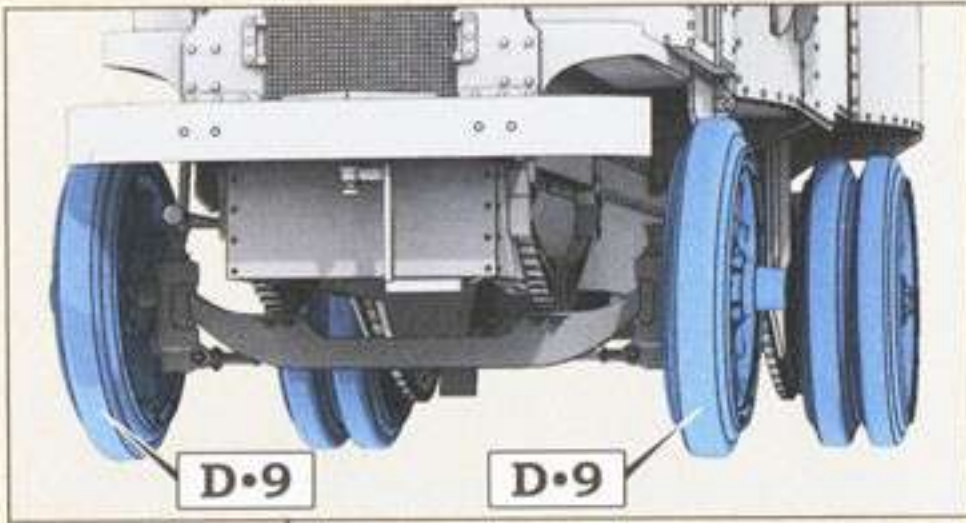
Step 52. Assembling the upper armoured body on the chassis



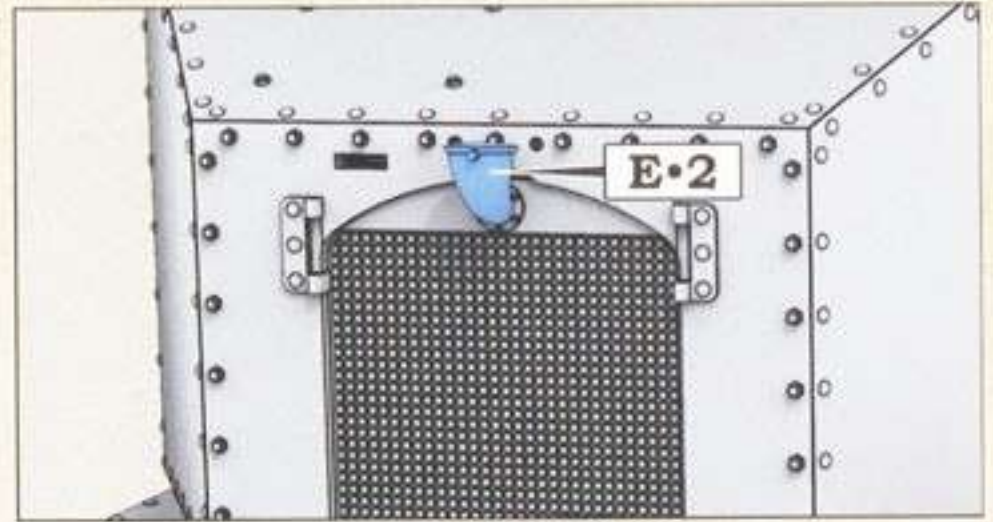
Step 53. Installation of the drive chain cover



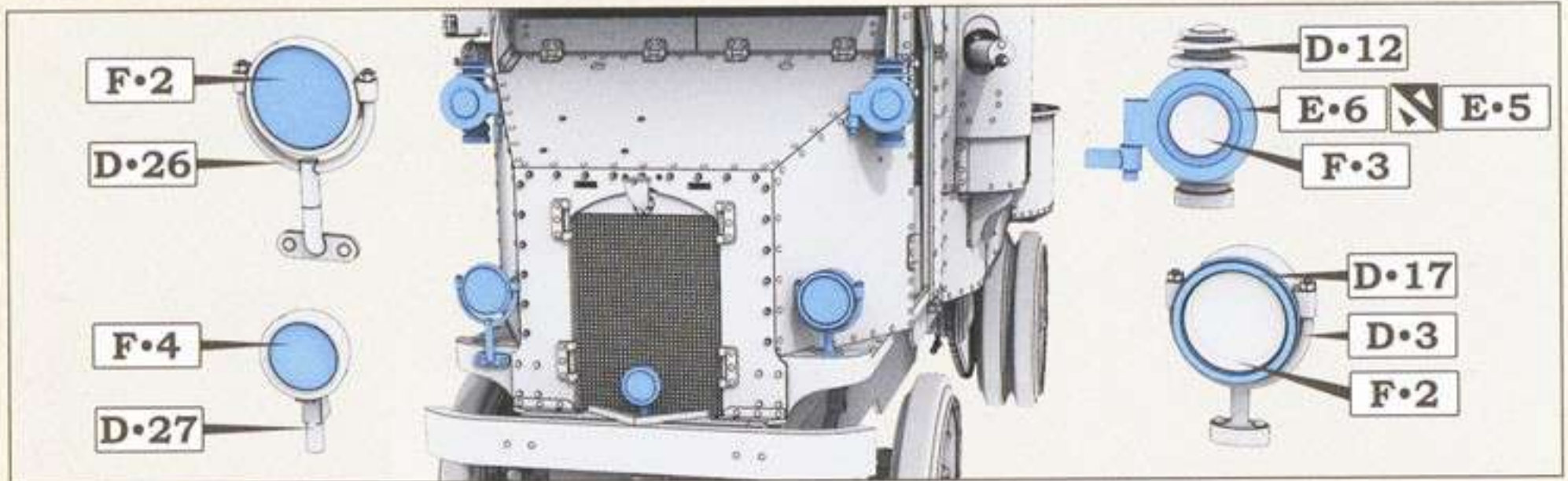
Step 54. Assembling the rear wheels. Make two



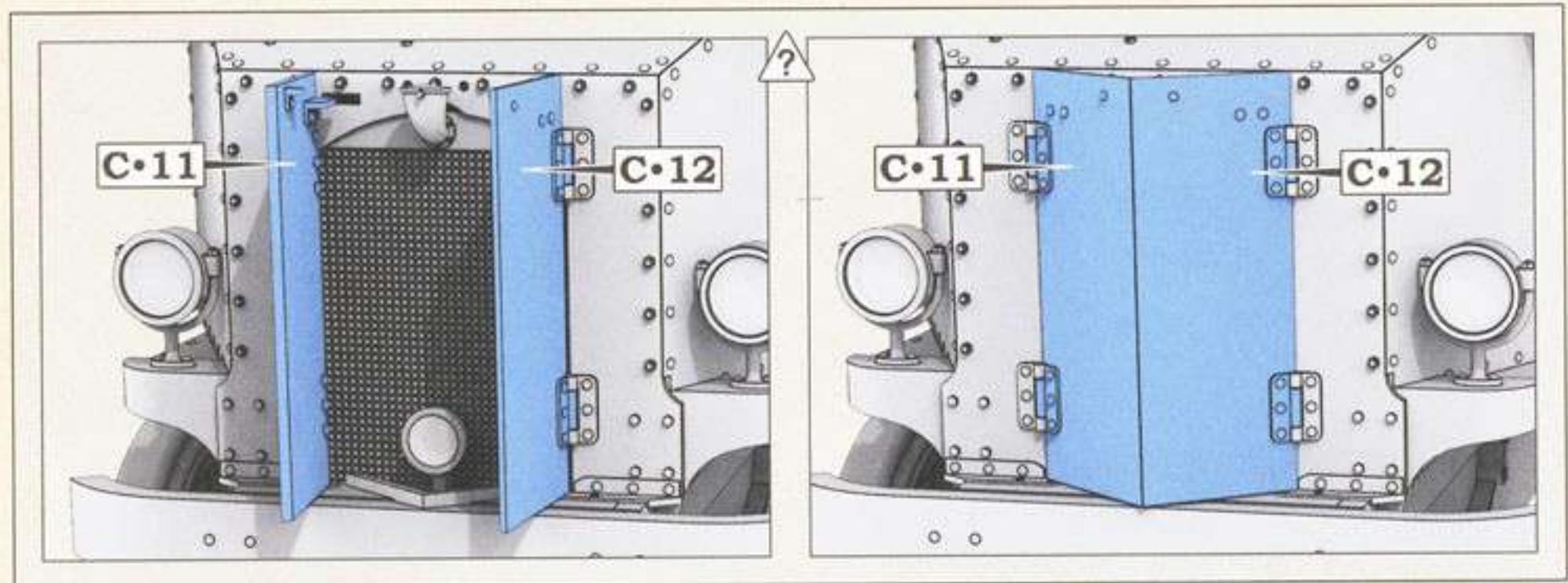
Step 55. Installing the wheels



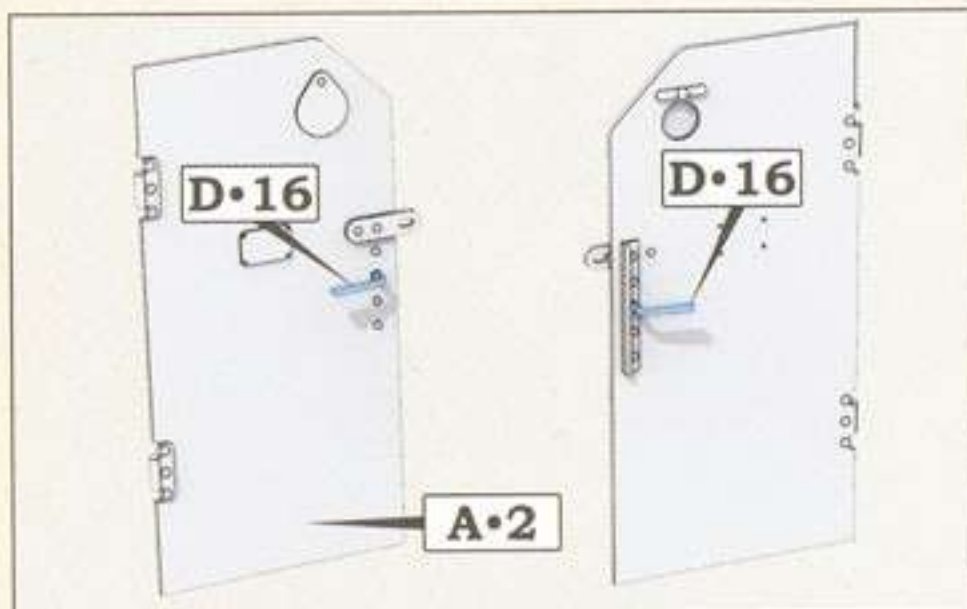
Step 56. Installation of the radiator filler neck



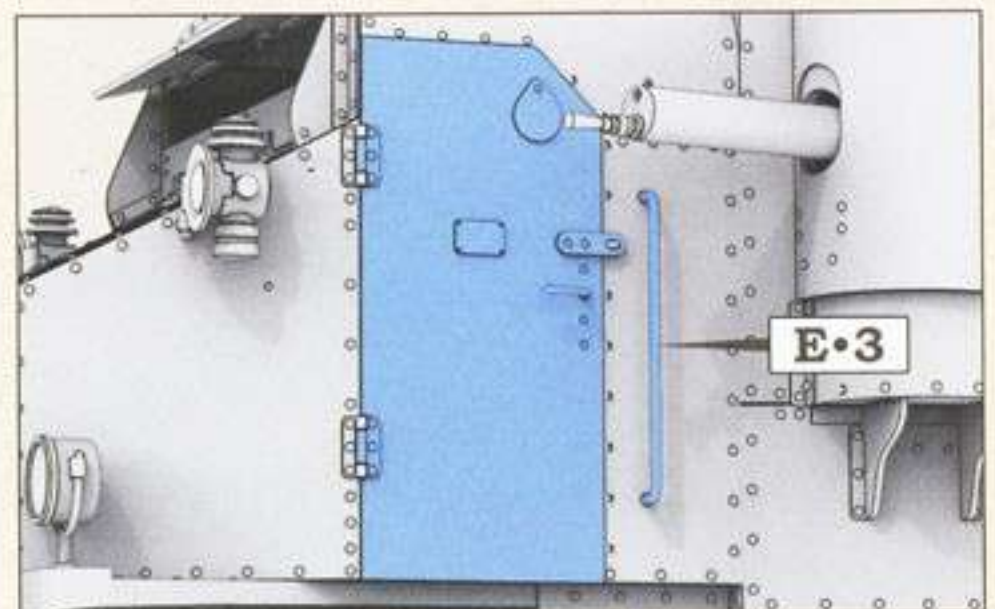
Step 57. Installing the headlamps. D26 only for Freikorps version (kit number 350014). Check picked markings



Step 58. Installation of the radiator shutters



Step 59. Assembling the driver's door



Step 60. Installing the door and the handle

Colour numbers

1	Brown
2	Rubber (Grey green)
3	Leather
4	Steel
5	Black
6	Brass
7	Wood
8	Gun metal
9	Green Moss
10	Dark green
11	White

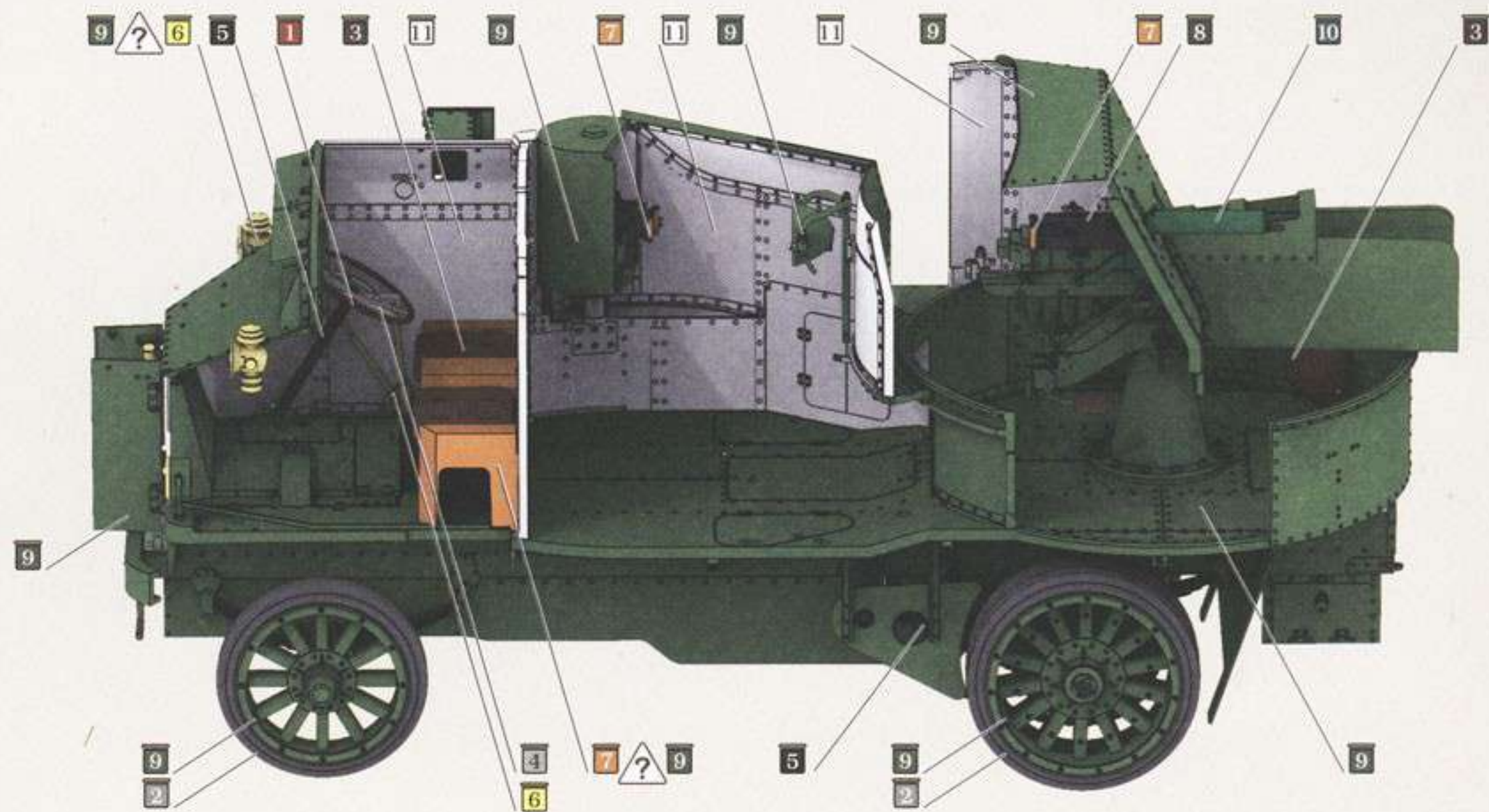


Fig. 8. Interior colours



Fig. 9. «Gromoboy»(Thunderbolt), 20th Platoon, 8th Army, South-Western Front, 1915

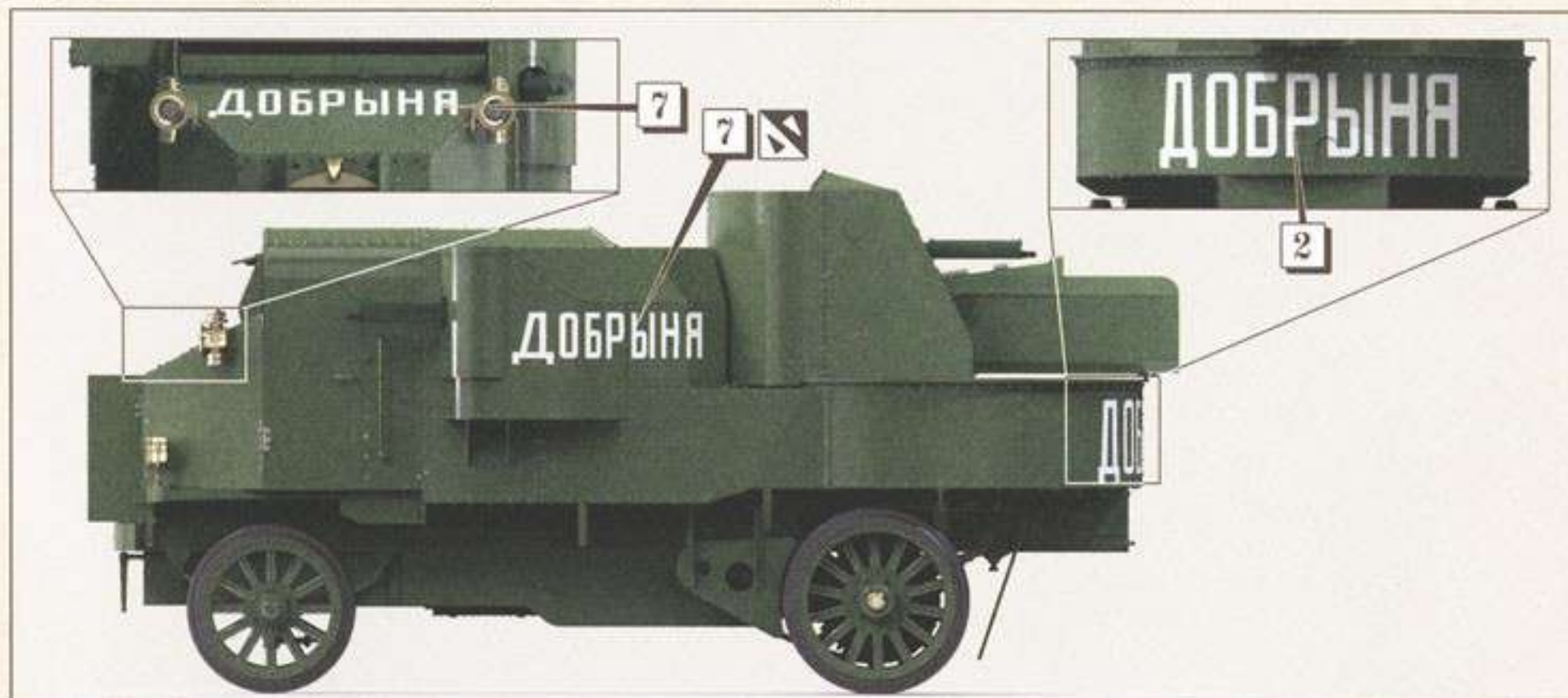


Fig. 10. «Dobrynya» 14th Platoon, 3rd Army, North-Western Front, 1915

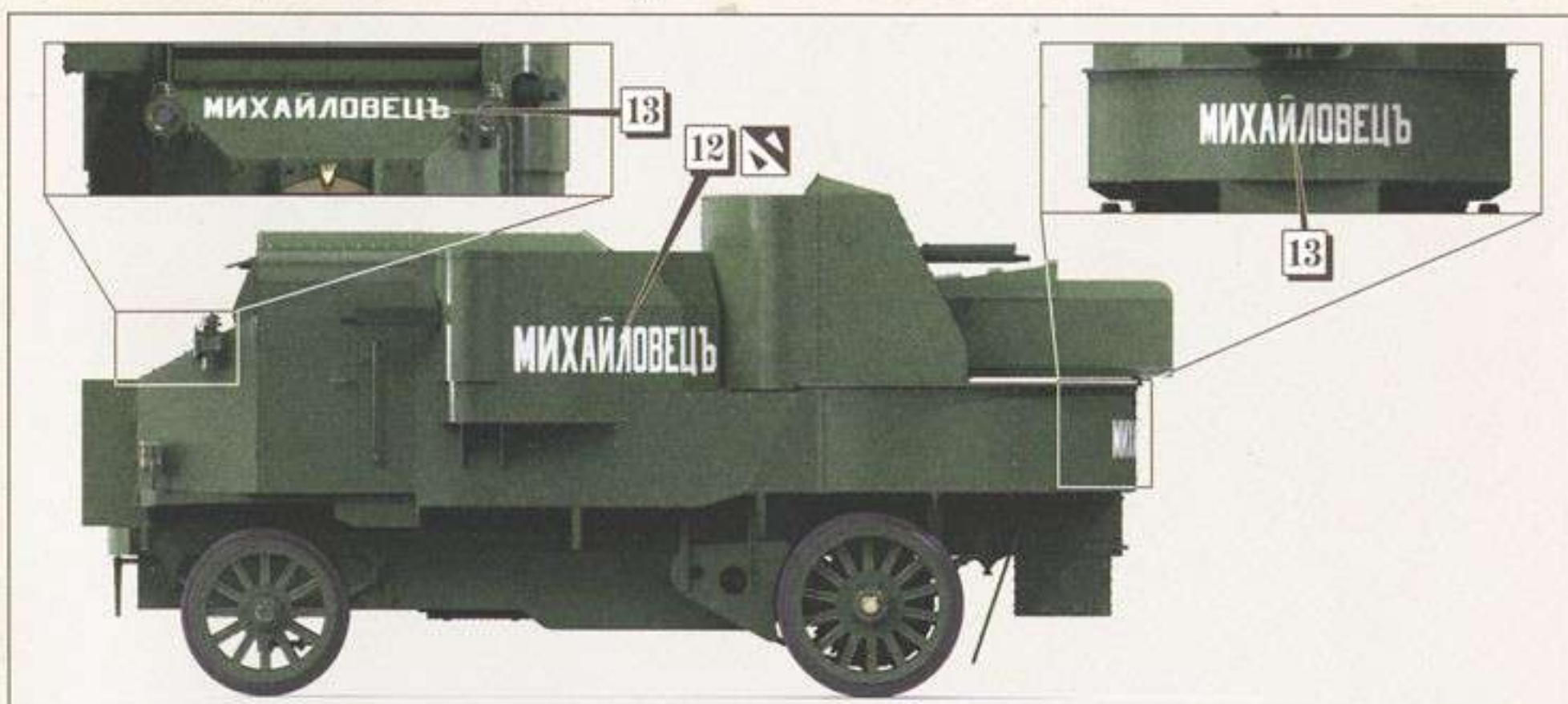


Fig. 11. «Mikhailovets» 12th Army, Northern Front, 1916

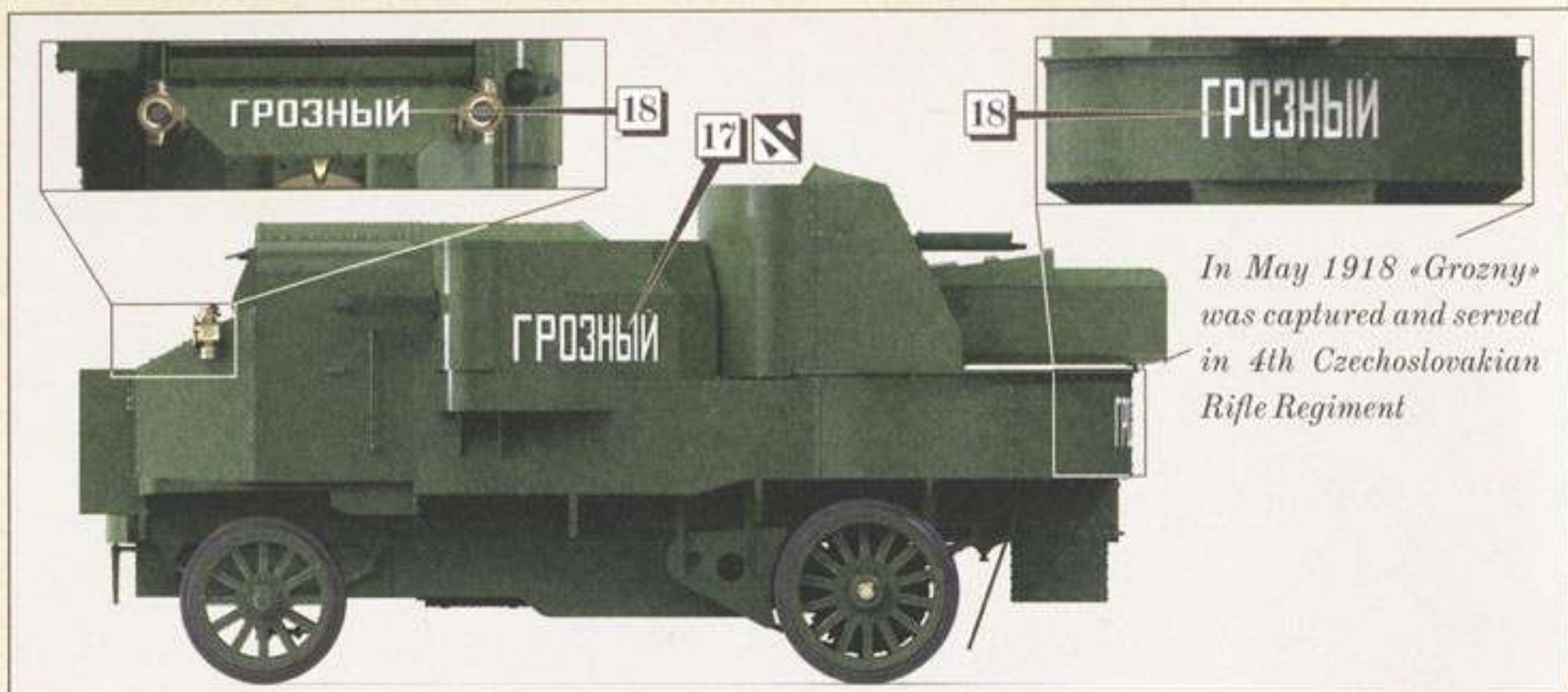


Fig. 12. «Grozny» (Formidable), 9th Army, North-Western Front, 1916, South-Western Front, 1915

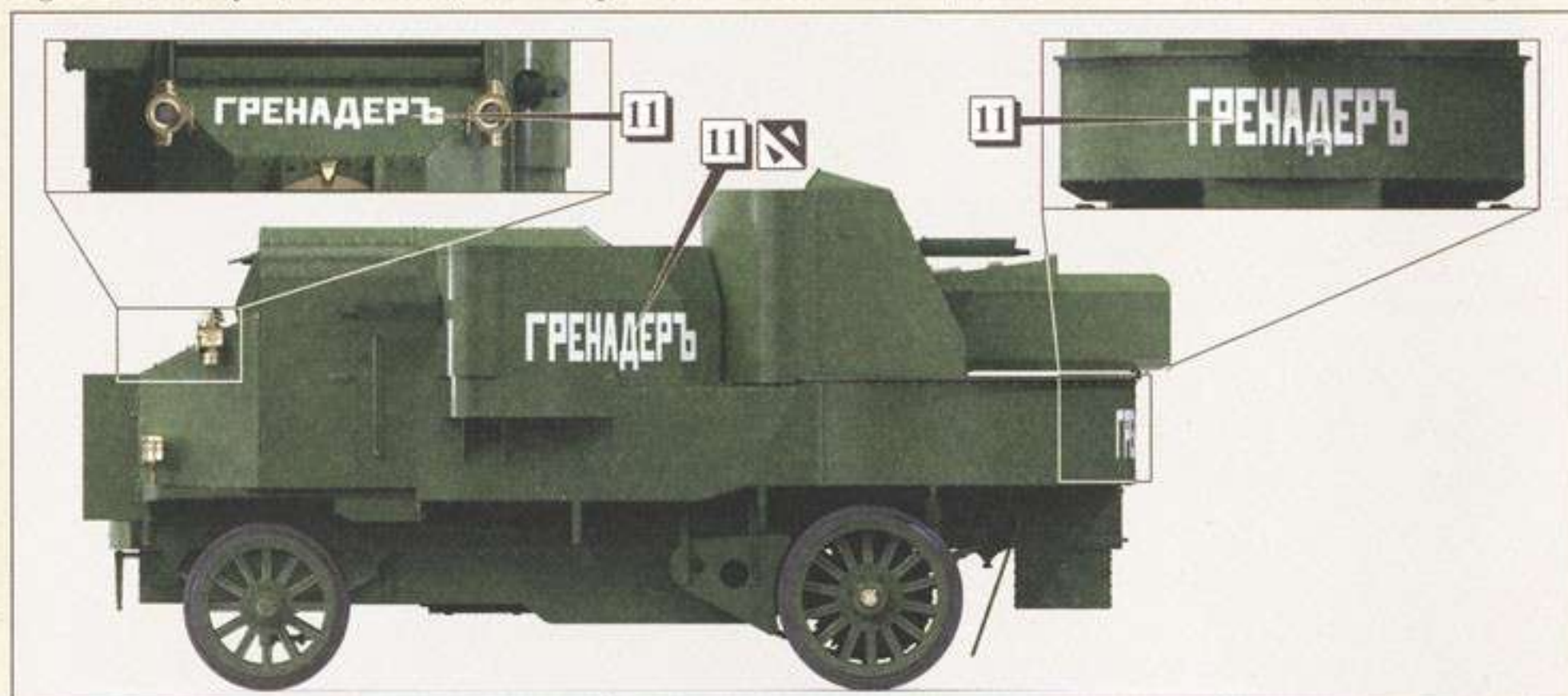


Fig. 13. «Grenader» (Grenadier), 22nd Machine Gun Platoon, South-Western Front, 1915

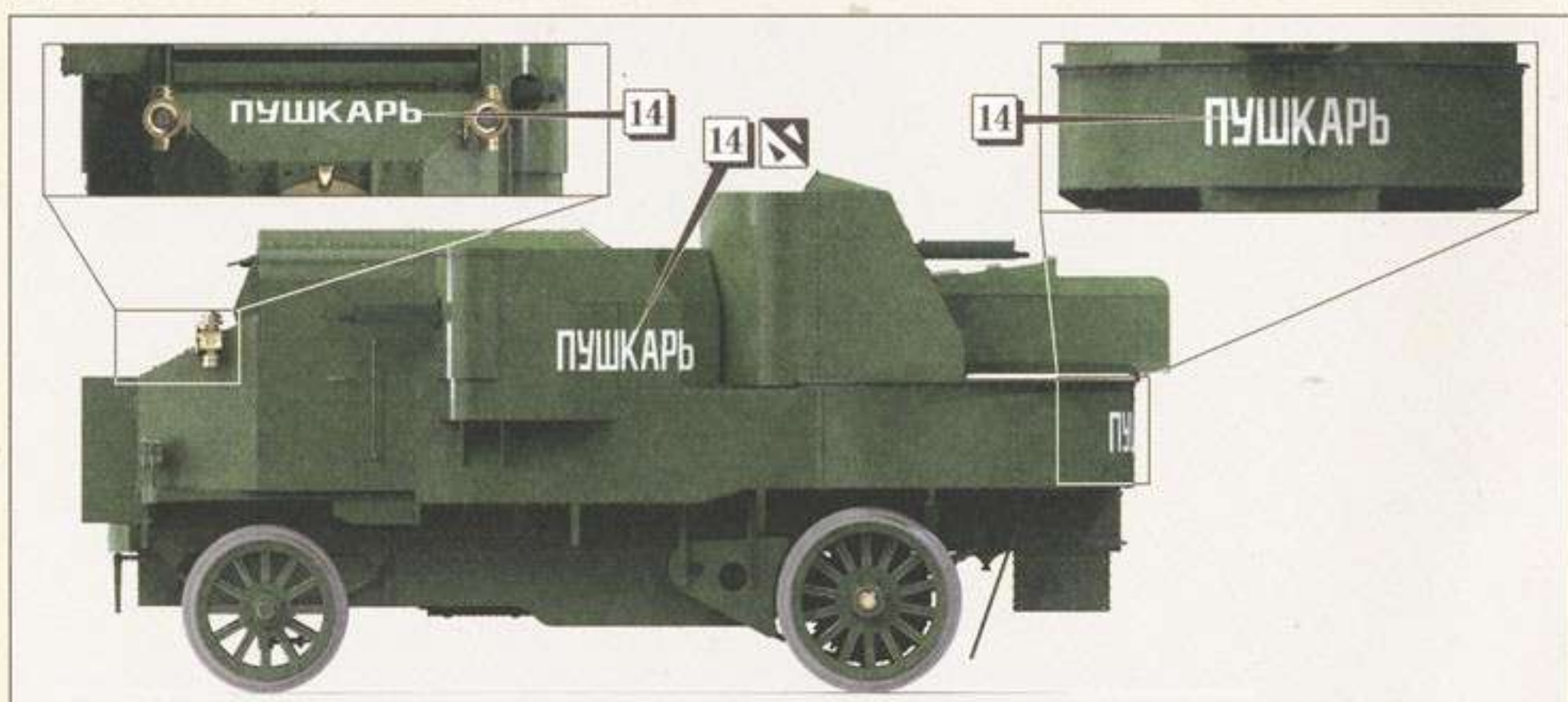


Fig. 14. «Pushkar» (Gunner), 19th Platoon, South-Western Front, May, 1915

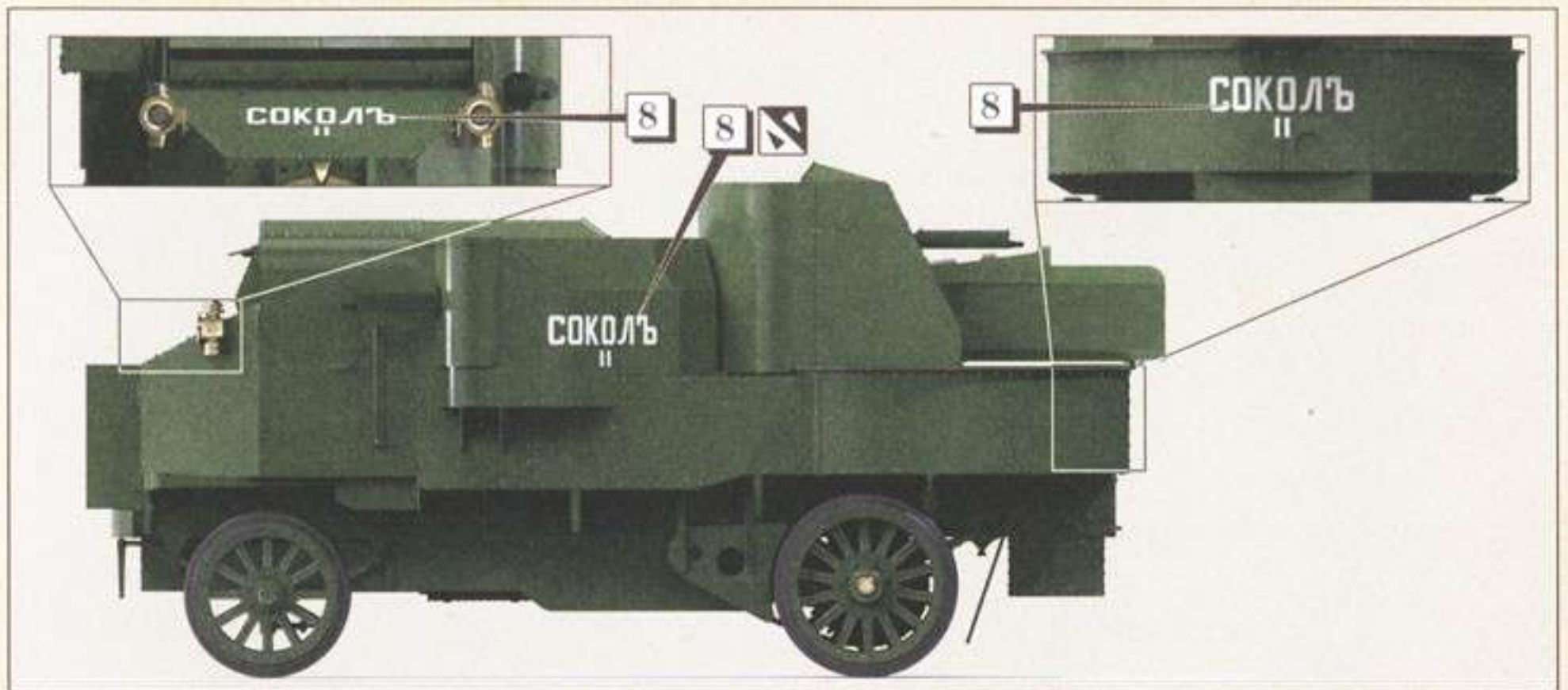


Fig. 15. «Sokol II» (Falcon II), Unknown unit, 1916



Fig. 16. Garford with skull and bones, personal name painted over, 1916

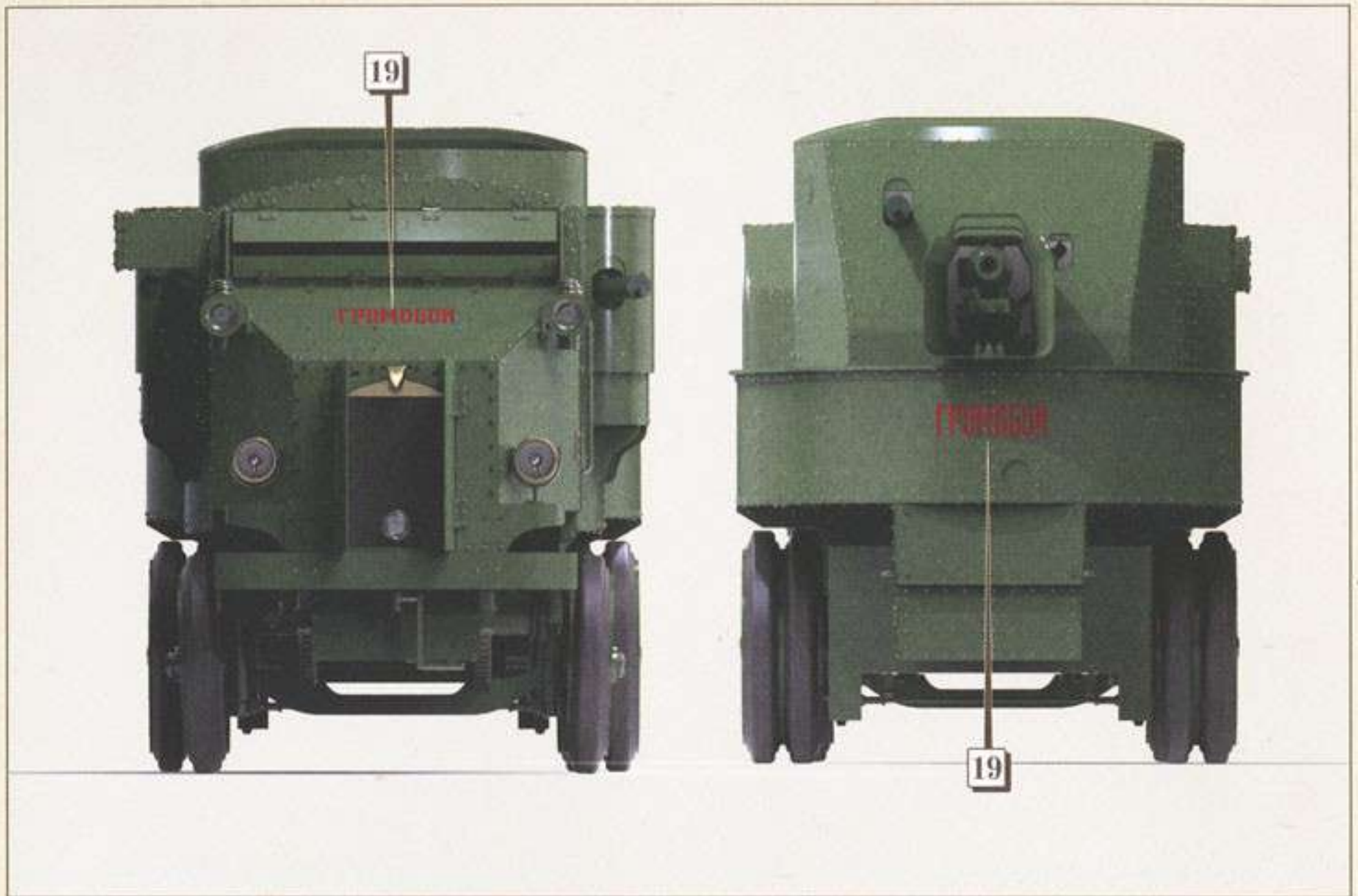


Fig. 17. «Gromoboy» 20th Platoon, 8th Army, South-Western Front, 1916

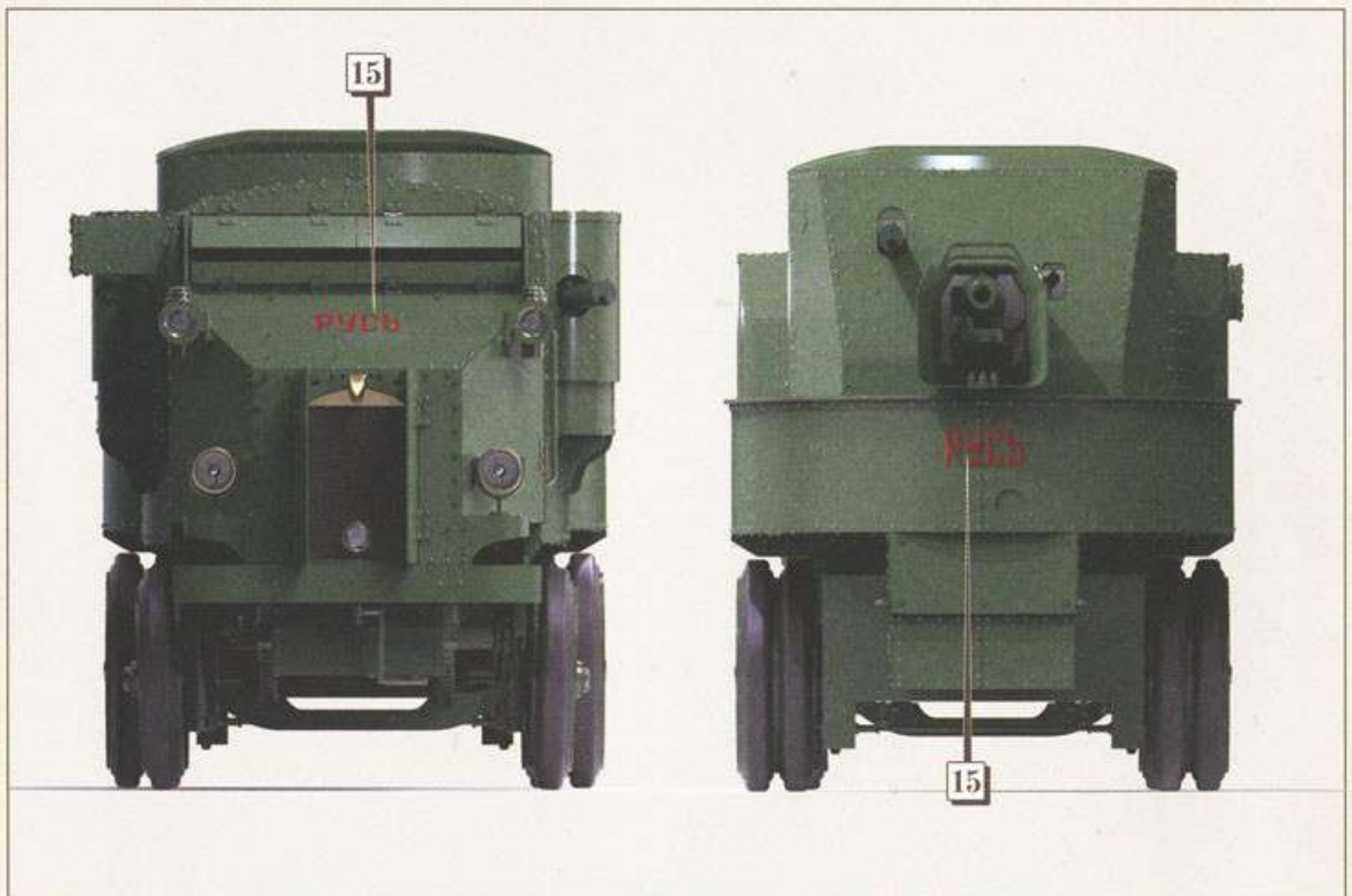


Fig. 18. «Rus» Unknown unit, 1916

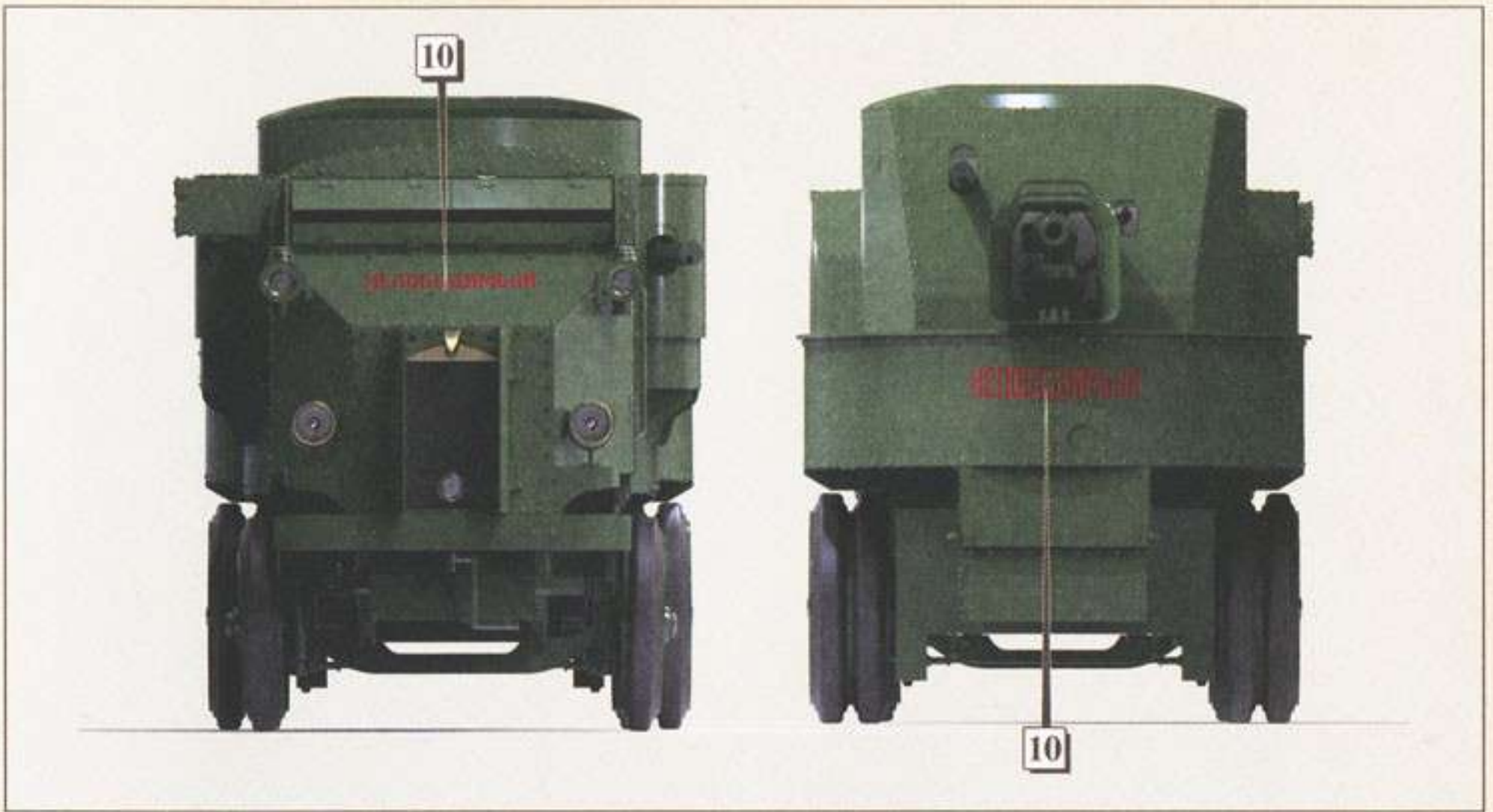


Fig. 19. «Nepobedimyy»(Invincible), Peter the Great's Naval Fortress division, 1917

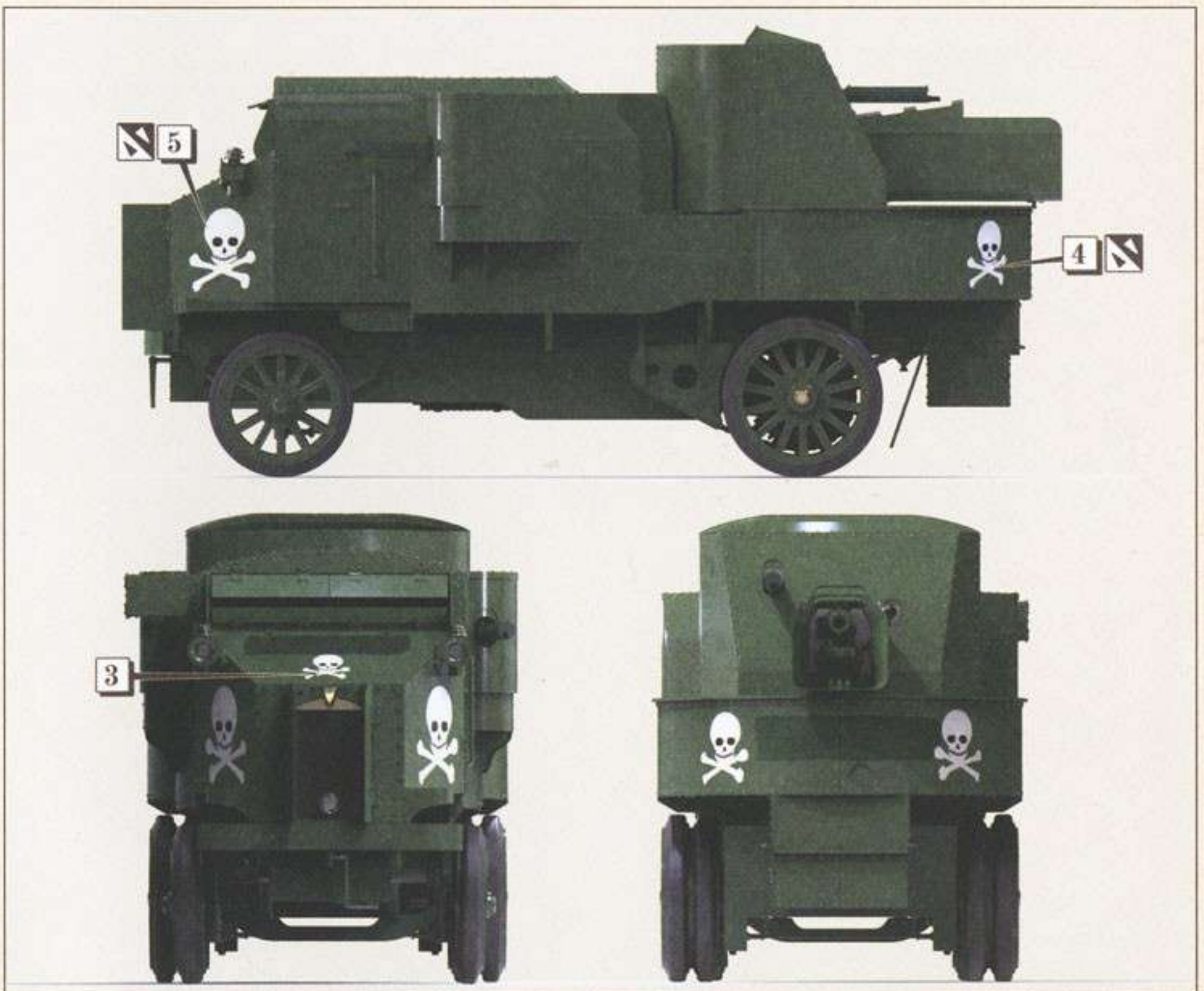


Fig. 20. Garford of the 35th Armored Car Machine Gun Platoon in Tehran, 1916